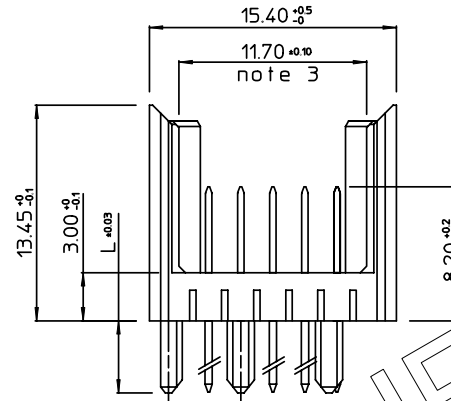
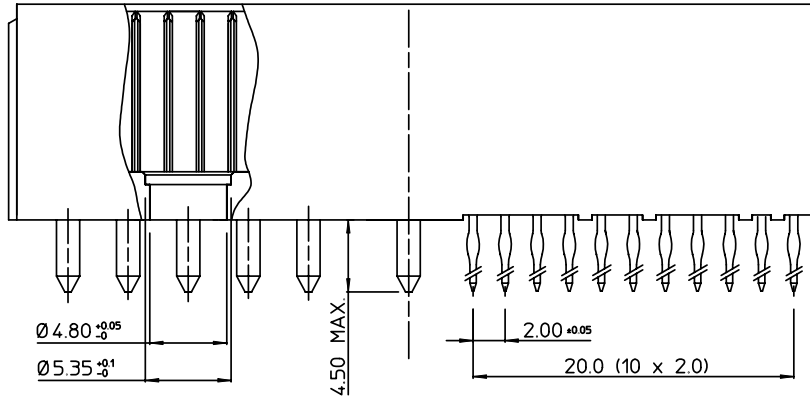


GEN. ST.	01	02	03	04	05	06	07	08	0D	50	60	70	80	90
INT. ST.	10	11	12	13	14	18	20	31	32	33	34	38	39	40

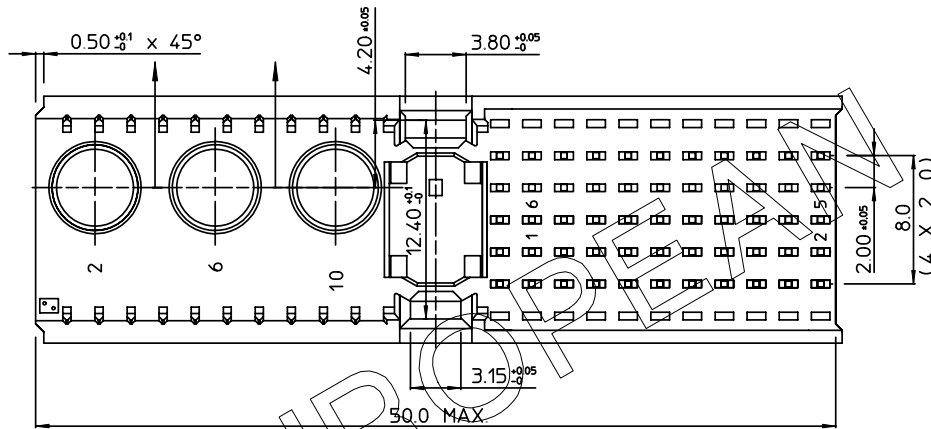
REV.	DATE	DESCRIPTION	BY	C'K'D'
A	2001-09-14	CONVERSION REVISION 01	KN	
B	2005-10-22	105-0196	ALEX B	BKP
C	2006-07-05	106-0096	YIVEK	BKP
D	2007-08-31	107-0109	ALEX B	BKP

PERFORMANCE CHARACTERISTICS

CURRENT RATING : 1,5 A AT 20°C (FULLY LOADED)
 1 A AT 70°C (FULLY LOADED)
 RATED VOLTAGE : 500 V AC (CONT - CONT)
 OPERATING TEMPERATURE : -55°C TO 125°C
 CONTACT RESISTANCE : 20 mΩ MAX
 INSERTION FORCE : 0.75 N MAX / CONT
 EXTRACTION FORCE : 0.15 N MIN / CONT
 INSULATION RESISTANCE : 10⁴ MΩ MIN



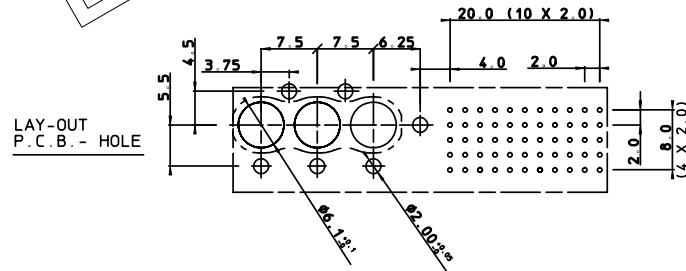
CAT. NR.	L ±0.3	DESCRIPTION
HM2P11PD5110----	3.7	SHORT PRESS-FIT
HM2P11PC5110----	4.5	SHORT PRESS-FIT
HM2P11PK5110----	13	REAR PLUG-UP: LEVEL 1
HM2P11PM5110----	14.5	REAR PLUG-UP: LEVEL 2
HM2P11PN5110----	16	REAR PLUG-UP: LEVEL 3
HM2P11PT5110----	13	WIRE WRAP



NOTES

- *HM2P11P#5110*
 PERFORMANCE LEVEL INDICATOR (REFER DWG No. BS,C ,201844,003)
 LEAD FREE INDICATOR : LF=LEAD FREE (DIGIT 15&16)
- THIS PRODUCT IS CSA APPROVED.
 THIS PRODUCT IS UL RECOGNIZED.
- MEASURED AT THE BOTTOM.
- MATERIAL : HIGH TEMPERATURE POLYMER.
- FOR RECOMMENDED PTH DIMENSIONS REFER DRAWING : BS,A ,201572,001
- THE PRODUCT (LF) MEETS EUROPEAN UNION DIRECTIVES AND OTHER COUNTRY REGULATIONS AS DESCRIBED IN GS-22-008

EUROPEAN PROJECT



THIS IS OUR EXCLUSIVE PROPERTY. IT IS NOT TO BE COPIED, REPRINTED OR DISCLOSED TO A THIRD PARTY, NOR USED FOR MANUFACTURING WITHOUT OUR WRITTEN CONSENT, AND HAS TO BE RETURNED TO US IN CASE OF NO USAGE
 DIT IS ONZE EIGENDOM EN MAG NIET NAGEMAAKT, HERDRUKT, OVERGEMAAKT AAN DERDEN, NOCH VOOR FABRIKATIE GEBRUIKT WORDEN, ZONDER ONZE SCHRIFTELIJKE TOELATING. BIJ NIET GEBRUIK IS TERUGZENDING VERPLICHT.

MALE SIGNAL STRAIGHT PRESS-FIT-TO-BOARD CONNECTOR + 3 SPECIAL CAVITIES (WIDE BODY)

1DEC ±0.2 2DEC ±0.1 ANGLES ±1°	APPR.	DATE	SIGN.	MILLIPACS 2 / TYPE M / NO SHIELDING
	DRAFT	2000-05-19	G. NYS	CAT. No. HM2P11P#5110----
	CHECKED			
WE RESERVE THE RIGHT TO CHANGE DIMENSIONS OR REQUIREMENTS WITHOUT PRIOR NOTICE.	PROD. MGR.			SCALE
	PR. ENG. MGR.			3/1
	PR. MGT. MGR.			



ALL DIMENSIONS IN MM
 REFERENCES
 BS,C ,201632,040 D