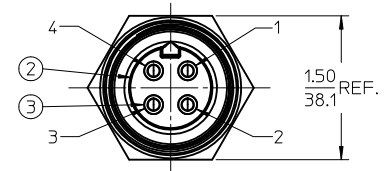
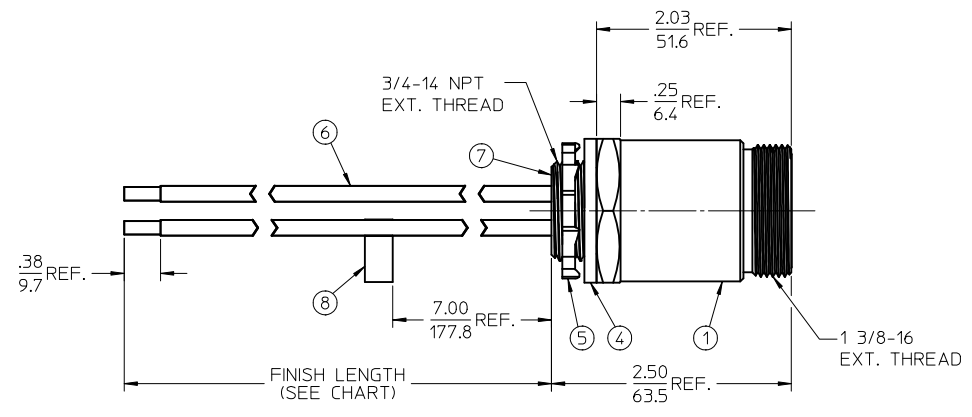
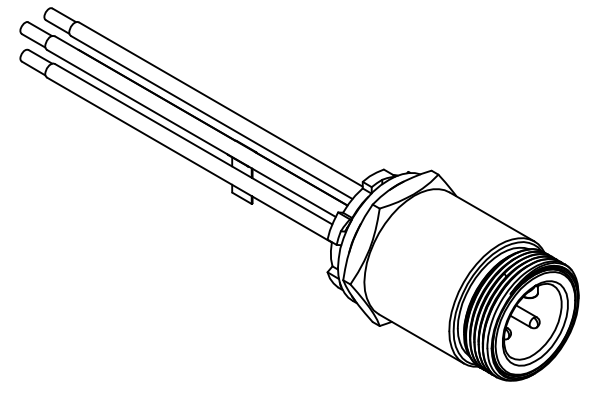
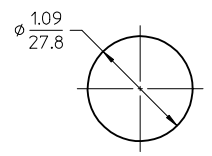


MATERIAL NUMBER	OLD PART NUMBER	FINISH LENGTH
1300660203	CR4C06A30M005	1.64' +1.75"/-0 [0.5M +44.5/-0]



1	BLACK
2	GREEN
3	RED
4	WHITE

WIRING DIAGRAM



TYPICAL KNOCKOUT

NOTES:

1. MATERIAL: SEE TABLE
2. FINISHES: SEE TABLE
3. PACKAGING: PART IS PACKED IN POLY BAG.
4. FLAG LABEL LOCATED ON GREEN WIRE.
5. MATES WITH: QC 4 POLE FEMALE CABLE ASSEMBLY.
6. ELECTRICAL SPECIFICATIONS:
VOLTAGE RATING: 600V AC/DC
CURRENT RATING: 25 AMPS

ITEM	QTY.	DESCRIPTION	MATERIAL	FINISH
8	1	FLAG LABEL	VINYL	YELLOW
7	A/R	POTTING	EPOXY	BLACK
6	4	#10-1 WIRE THHN	PVC JACKET	SEE WIRING DIAGRAM
5	1	LOCKNUT	STEEL	ZINC PLATED
4	1	GASKET	NEOPRENE	BLACK
3	4	PIN CONTACT	COPPER ALLOY	GOLD PLATED
2	1	MALE INSERT, 4 POLE	PVC	BLACK
1	1	RECEPTACLE SHELL	ALUMINUM	CLEAR ANODIZED

INITIAL RELEASE	EC NO: MNA2010-0433	DRWN:CLYORK 2010/01/19	CHKD:WOODMAN 2010/01/19	APPR:DTITUS 2010/01/20
DESCRIPTION	QUALITY SYMBOLS			
	▽=0			
	▽=0			
REV	A			

GENERAL TOLERANCES (UNLESS SPECIFIED)	DIMENSION STYLE	SCALE	DESIGN UNITS	THIRD ANGLE PROJECTION
	IN/MM	1:1	INCH	
	mm			
	INCH			
4 PLACES ± --- ± ---				
3 PLACES ± --- ± ---				
2 PLACES ± --- ± .010				
1 PLACE ± 0.3 ± ---				
ANGULAR ±1/2°				
DRAFT WHERE APPLICABLE MUST REMAIN WITHIN DIMENSIONS				

DRAWN BY	DATE	TITLE
CLYORK	2010/01/18	
CHECKED BY	DATE	
BWOODMAN	2010/01/19	
APPROVED BY	DATE	
DTITUS	2010/01/20	
MATERIAL NO.	DOCUMENT NO.	SHEET NO.
SEE CHART	SD-130066-057	1 OF 1

MOLEX INCORPORATED	
THIS DRAWING CONTAINS INFORMATION THAT IS PROPRIETARY TO MOLEX INCORPORATED AND SHOULD NOT BE USED WITHOUT WRITTEN PERMISSION	