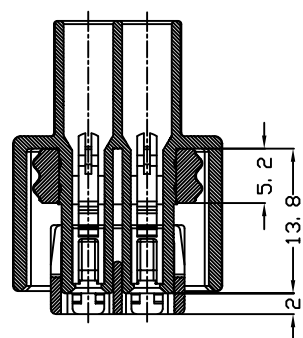
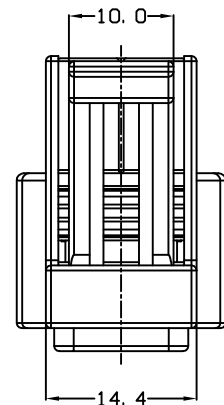
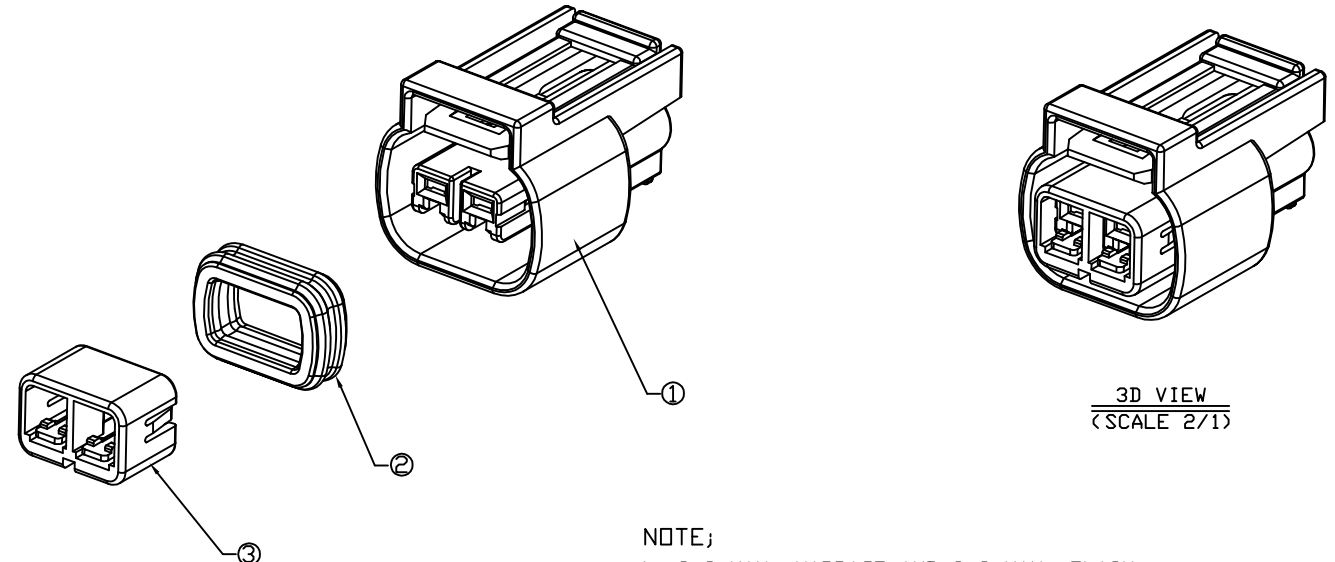


THIS DRAWING IS UNPUBLISHED. RELEASED FOR PUBLICATION
 © COPYRIGHT BY TYCO ELECTRONICS CORPORATION, ALL RIGHTS RESERVED.

LOC		DIST		REVISIONS			
P	LTR	DESCRIPTION	DATE	DWN	APVD		
A		REVISED(FC00-0272-04)	27/OCT/04	YD.	CS		
A1		REVISED(ECR-10-008924)	26,APR,10	WY	HG		

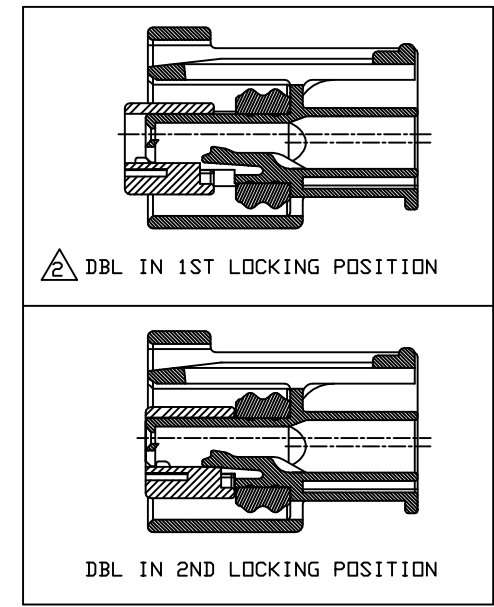
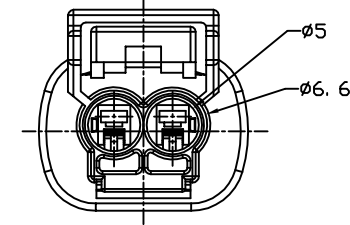
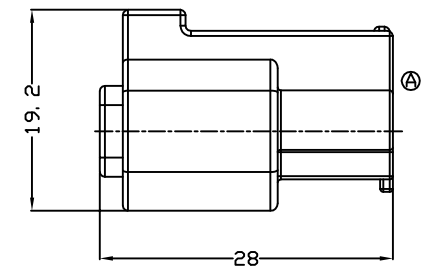
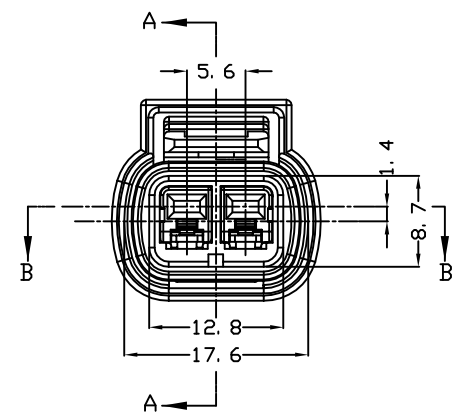


SECTION B-B
(SCALE 2/1)



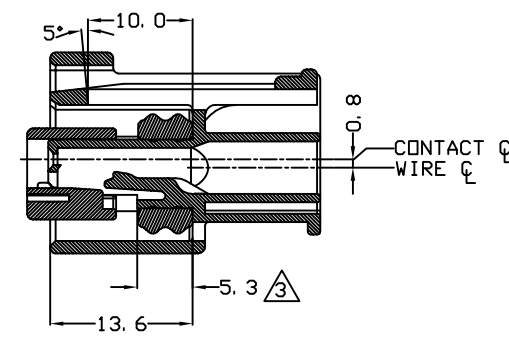
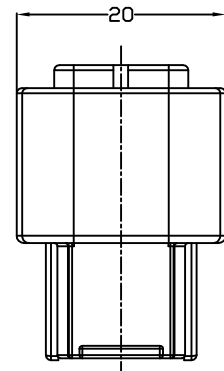
3D VIEW
(SCALE 2/1)

- NOTE;
- 0.3 MAX. WARPAGE AND 0.2 MAX. FLASH ARE PERMISSIBLE
 - CONDITION OF DELIVERY : DBL IN 1ST LOCKING POSITION
 - SURFACE DEFECTS ARE NOT ACCEPTABLE AS FOLLOW: SINK, WELD LINES, HAIRCRACKS, STAINS & SCORES
 - APPLIED CAP ASSEMBLY P/N: 936178, 936180, 936263



DBL IN 1ST LOCKING POSITION

DBL IN 2ND LOCKING POSITION



SECTION A-A
(SCALE 2/1)

NO.	DESCRIPTION	P/N	MATERIAL	COLOR	Q'TY
3	DBL HOUSING	936186-1	PBT GF10	BLACK	1 1 1 1
2	INNER SEAL	936181-1	SILICON	RED ORANGE	1 1 1 1
1	PLUG HOUSING	936185-4	PBT	BROWN(RAL 8003)	1 1 1 1
1	PLUG HOUSING	936185-3	PBT	GRAY(RAL 7036)	1
1	PLUG HOUSING	936185-2	PBT	BLACK(RAL 9011)	1
1	PLUG HOUSING	936185-1	PBT	IVORY(RAL 1015)	1

DIMENSIONS: MM		TOLERANCES UNLESS OTHERWISE SPECIFIED:	
0 <XX<10 ± 0.2		10<XX<30 ± 0.25	
30<XX ± 0.3		ANGLES ± 3°	
3rd ANGLE PROJECTION		FINISH	
SEE TABLE		/	

tyco AMP KOREA, kyungsan, korea

NAME: .090 2P SEALED PLUG ASS'Y FOR BULB HOLDER CAP ASS'Y

SIZE: A200779 CAGE CODE: 936184 DRAWING NO: 936184

SCALE: 2/1 SHEET: 1 OF 1 REV: A1