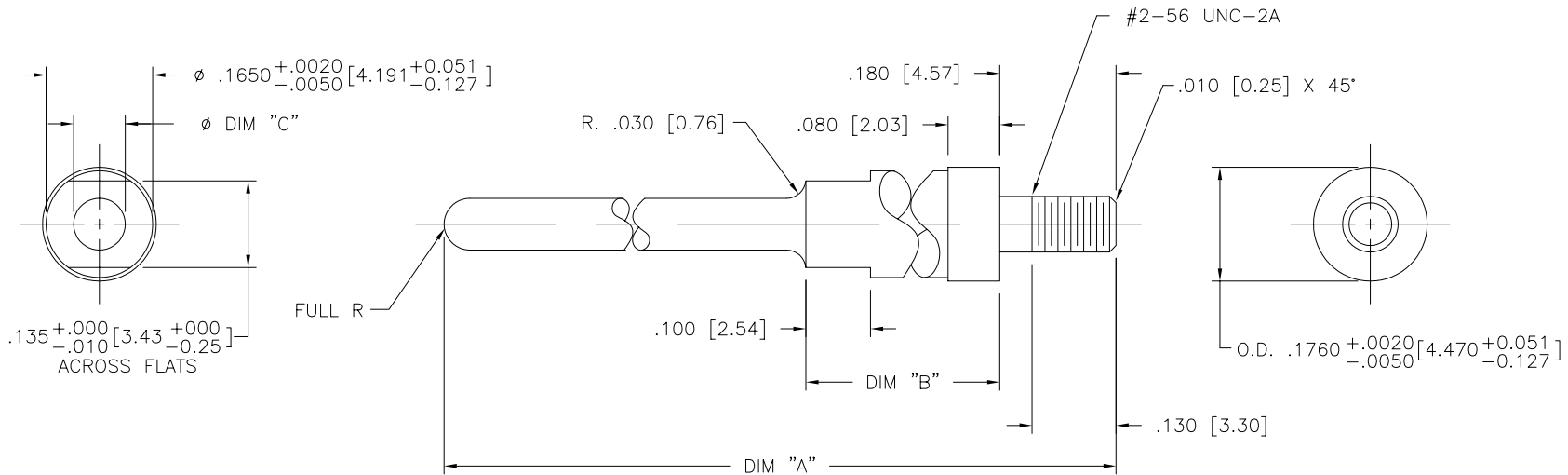


PRODUCT NO.	DIM "A"	DIM "B"	Ø DIM "C"
71225-001	1.040/26.41	.300/7.62	.080/2.03
71225-002	.955/24.25	.300/7.62	.080/2.03
71225-003	.955/24.25	.380/9.65	.090/2.28
71225-001LF	1.040/26.41	.300/7.62	.080/2.03
71225-002LF	.955/24.25	.300/7.62	.080/2.03
71225-003LF	.955/24.25	.380/9.65	.090/2.28

NOTE 3  
NOTE 3  
NOTE 3



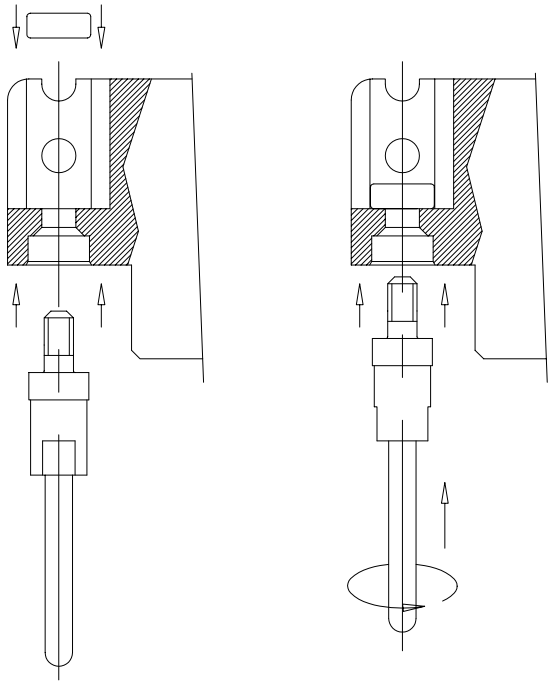
NOTE:

- ① MATERIAL: 416 STAINLESS STEEL.
- ② RECOMMENDED INSTALLATION TOOL: P/N 166769-001 (FOR USE IN 1/4" HEX DRIVE).
- ③ THIS PRODUCT MEETS EUROPEAN UNION DIRECTIVES AND OTHER COUNTRY REGULATIONS AS DESCRIBED IN GS-22-008.

mat'l. code		surface		tolerance		projection		product family	
NOTE 1		ISO 1302		ISO 406		ISO 1101		HPC	
ltr	ecn no	dr	date	tolerances unless otherwise specified		INCH/MM		title	
A	v50946	GAH	8/8/95	angles	linear	.xx±.01/.3		RECEPT MOUNTED MALE GUIDE PIN	
B	v51393	SAR	8/8/95			.xxx±.005/.13			
C	v60897	GIP	6/10/96	0°±2'		.xxxx±.0020/.051		scale 1:1	
D	v60971	GIP	6/25/00	dr	D.HORCHLER	7/8/05		dwg no	
E	v00558	LSS	3/3/00	engr	D.HORCHLER	7/8/05		sheet 1 of 4 size	
F	v05-0643	DCH	7/8/05	chr	T.BREWBAKER	7/8/05		71225 A3	
G	M06-0283	MHT	7/27/06	appd	D.HORCHLER	7/8/05		type Product Customer Drawing	
sheet	revision	G	G	G	G				
index	sheet	1	2	3	4				

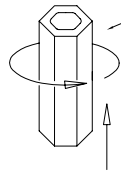
PRODUCT NO.

SEE TABLE

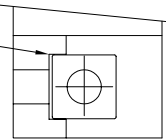


UN-ASSEMBLED GUIDE PIN

SEE NOTE 2



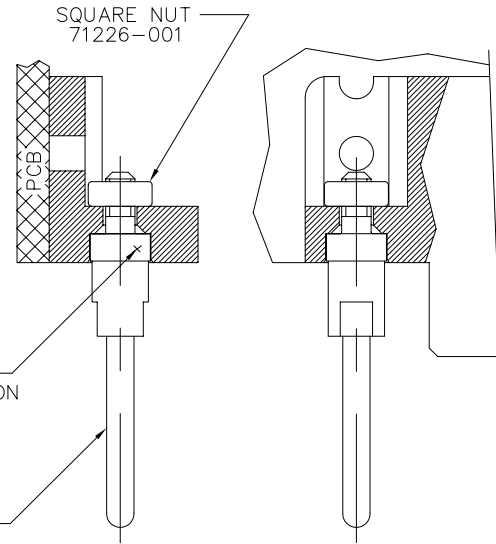
SQUARE NUT HELD FROM ROTATING BY SLOT



SQUARE NUT 71226-001

ROUND CONFIGURATION

GUIDE PIN 71225-001



ASSEMBLED GUIDE PIN

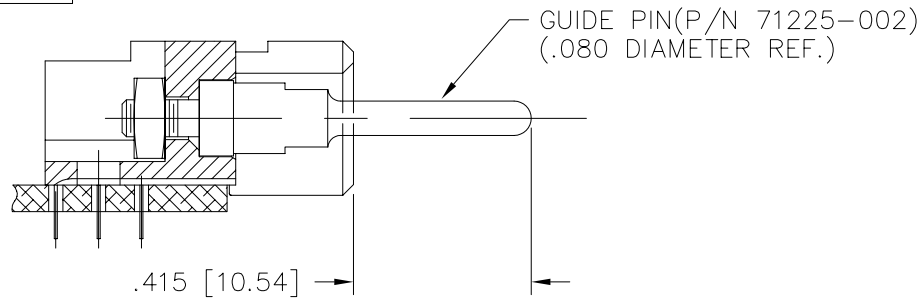
ASSEMBLY NOTE:  
 AFTER CONNECTOR IS ON PCB,  
 INSERT THE SQUARE NUT, AND  
 THEN SCREW IN THE GUIDE PIN

FCJ  
FCJconnect.com

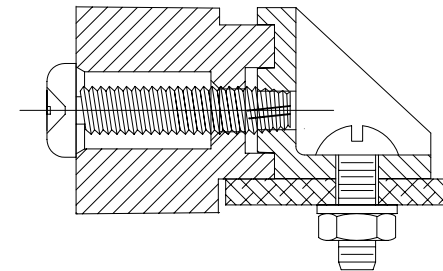
Copyright FCJ

mat'l. code		surface		tolerance		projection		product family	
NOTE 1		ISO 1302		ISO 406		ISO 1101		HPC	
ltr		ecn		no		dr		date	
G									
				tolerances unless otherwise specified		INCH/MM		title	
				angles		linear		RECEPT MOUNTED MALE	
				0°±2'		.xx±.01/.3		GUIDE PIN	
						.xxx±.005/.13		dwg no	
						.xxxx±.0020/.051		sheet 2 of 4 size	
				dr		D.HORCHLER		7/8/05	
				enr		D.HORCHLER		7/8/05	
				chr		T.BREWBAKER		7/8/05	
				appd		D.HORCHLER		7/8/05	
sheet		revision						FCJ	
index		sheet						type Product Customer Drawing	
								71225	
								A3	

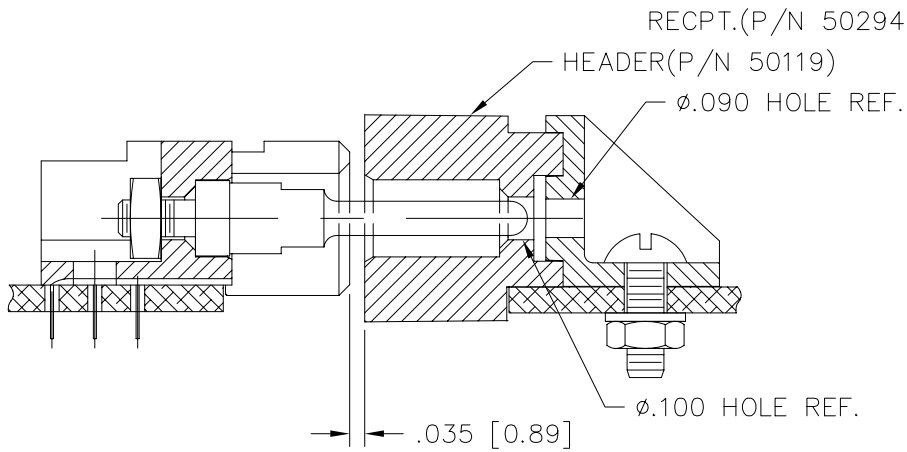
PRODUCT NUMBER  
SEE TABLE



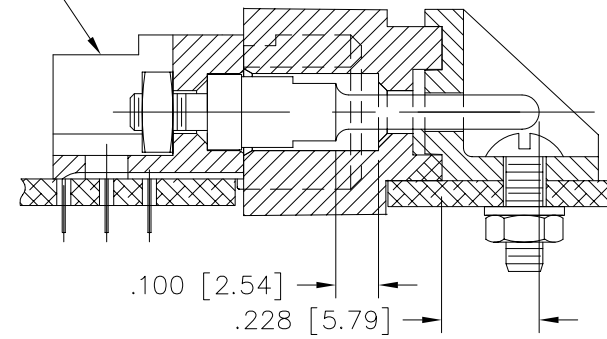
GUIDE PIN, MOUNTED TO RECPT.



HOUSING w/ BRACKET



GUIDE PIN FIRST CONTACT



FULLY MATED

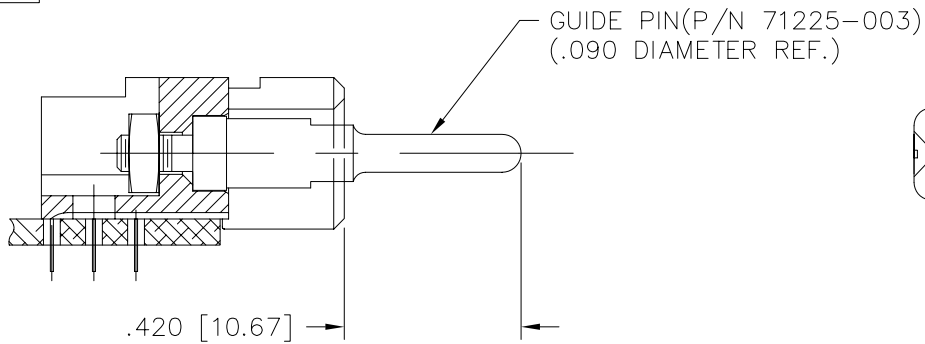
END MOUNTED GUIDE PIN ON RECEPTACLE

FCJ  
FCIconnect.com

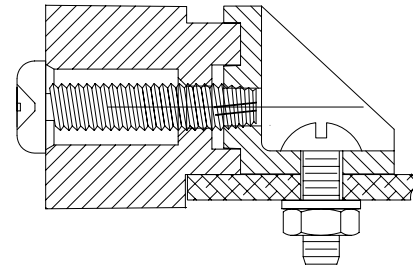
Copyright FCI

mat'l. code		surface		tolerance		projection		product family			
NOTE 1		ISO 1302 ✓		ISO 406 ISO 1101		⊕		HPC			
ltr		ecn no dr		date		tolerances unless otherwise specified		title			
G						.XX±.01/.3 linear .XXX±.005/.13 .XXXX±.0020/.051		INCH/MM			
				0°±2'		scale 1:1		RECEPT MOUNTED MALE GUIDE PIN			
		dr		D.HORCHLER 7/8/05				dwg no			
		enr		D.HORCHLER 7/8/05				71225		sheet 3 of 4 size	
		chr		T.BREWBAKER 7/8/05				A3			
		appd		D.HORCHLER 7/8/05				type		Product Customer Drawing	
sheet index		revision sheet									

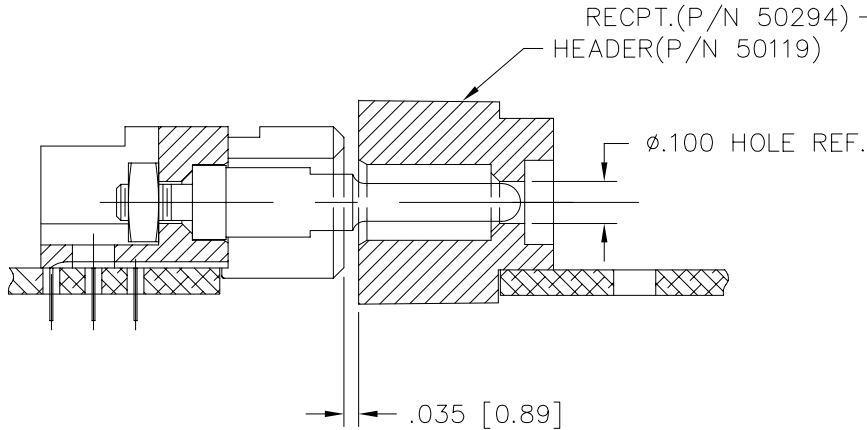
PRODUCT NUMBER  
SEE TABLE



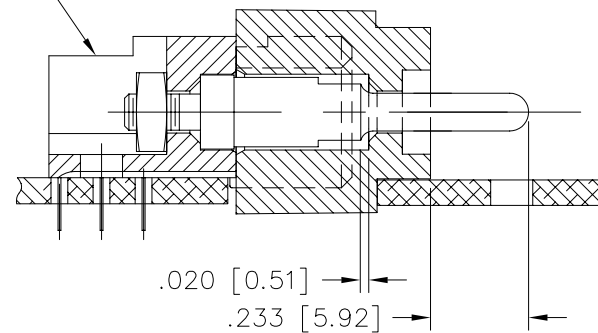
GUIDE PIN, MOUNTED TO RECPT.



HOUSING w/BRACKET



GUIDE PIN FIRST CONTACT



FULLY MATED

END MOUNTED GUIDE PIN ON RECEPTACLE

FCJ  
FCIconnect.com

Copyright FCI

mat'l. code		surface		tolerance		projection		product family	
NOTE 1		ISO 1302 ✓		ISO 406 ISO 1101				HPC	
tolerances unless otherwise specified		angles		linear		INCH/MM		title	
G		0°±2'		.xx±.01/.3 .xxx±.005/.13 .xxxx±.0020/.051		scale 1:1		RECEPT MOUNTED MALE GUIDE PIN	
dr		D.HORCHLER		7/8/05				dwg no	
enr		D.HORCHLER		7/8/05				sheet 4 of 4 size	
chr		T.BREWBAKER		7/8/05				71225 A3	
appd		D.HORCHLER		7/8/05				type Product Customer Drawing	
sheet index		revision sheet							