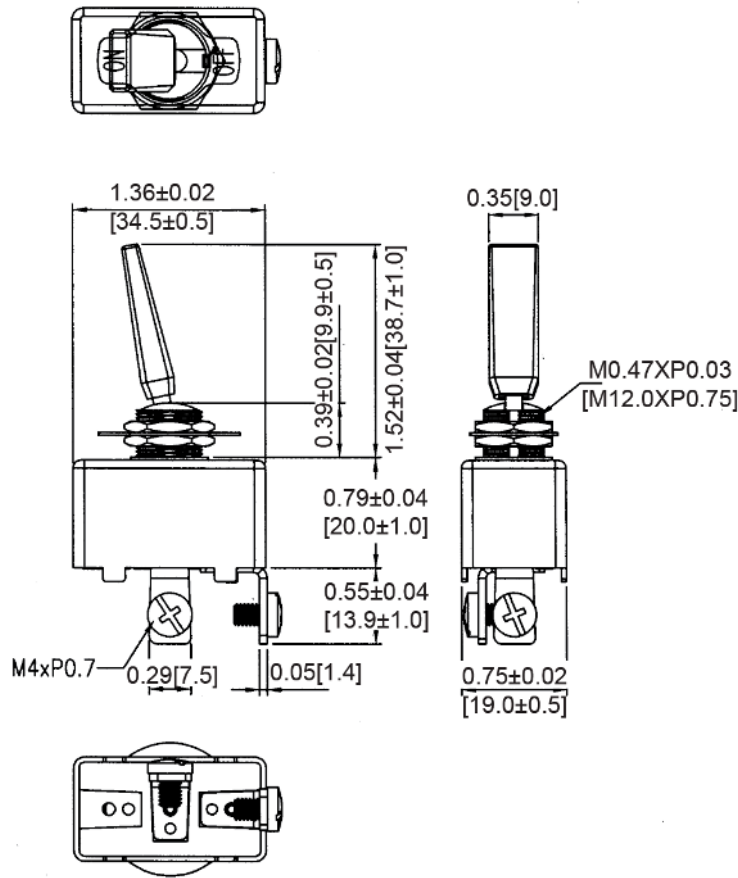
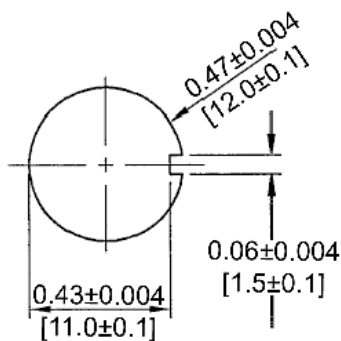


Mechanical Dimensions: Inches [mm]

Tolerances ± 0.012 [0.3] Unless Otherwise Specified



Mounting Hole



Circuit Diagram

2P SPST OFF-ON



Electrical Specifications

| | |
|-----------------------|----------------------|
| Rating | 50A 12V DC |
| Contact Resistance | 50m ohm Max |
| Insulation Resistance | DC 500V 100M ohm Min |
| Dielectric Strength | AC 1500V 1 minute |
| Operation Temperature | -20°C~85°C |

Material Specifications

| |
|--------------------------|
| 2 HEX NUT ASSY |
| 1 ON/OFF FACE PLATE ASSY |
| |
| |

| Rev | Date of issue | Revision Notes | Designed | Approved |
|------------|----------------------|-----------------------|-----------------|-----------------|
| A | 01-14-2020 | Initial Drawing | RC | OF |