

**Ratings**

Voltage: 300 V  
 Temperature: -40~105 °C  
 Flammability: VW-1

**Conductor**

Conductor count: 9  
 Gauge: 18 AWG 0.82 mm<sup>2</sup>  
 Material: tinned copper strands  
 Strand size:  $\varnothing 0.127 \times 65$   
 Resistance at 20 °C: 23.2  $\Omega$  /km max

**Insulator**

Material: FEP  
 Color: red, black, white, yellow, blue, green, orange, purple, gray  
 Diameter:  $\varnothing 1.5 \pm 0.10$   
 Nominal thickness: 0.13 mm  
 Resistance at 20 °C: 10 M $\Omega$  /km min

**Filler**

Material: aramid fiber

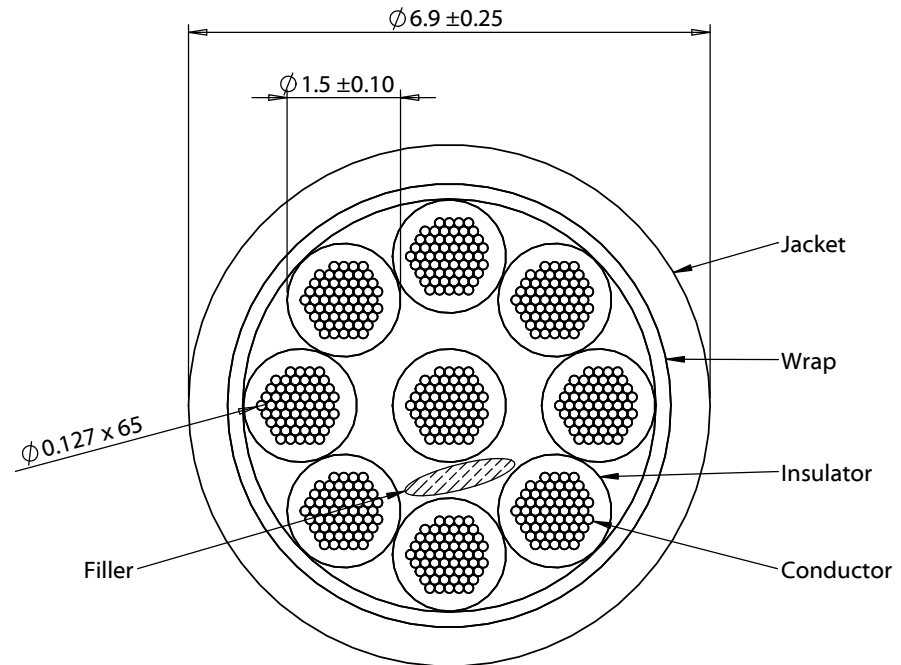
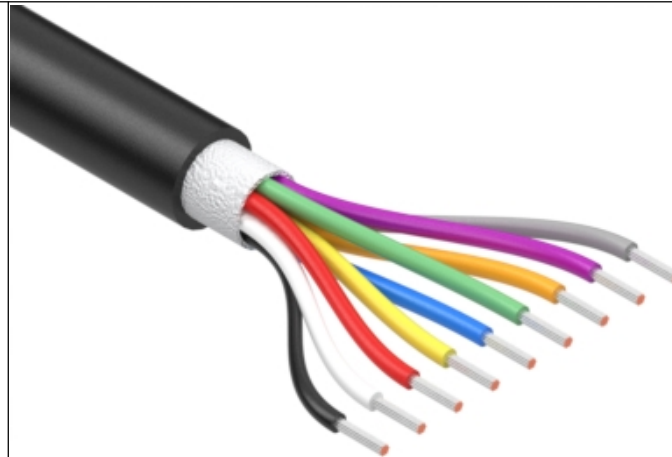
**Wrap**

Material: cotton paper

**Outer jacket**

Material: TPE  
 Color: black  
 Diameter:  $\varnothing 6.9 \pm 0.25$   
 Nominal thickness: 0.6 mm

**Wire marking:** E339579 UL AWM STYLE 21296 18 AWG 105°C 300V VW-1 --- cUL AWM I A 105°C 300V FT1 TENSILITY DGT



|           |           |                 |  |   |   |
|-----------|-----------|-----------------|--|---|---|
| Revision: | Date:     | Description:    | Prepared:<br>AW<br><small>Digitally signed by AW<br/>Date: 2021.04.28<br/>17:09:31 -07'00'</small>           | Notes:  | <b>TENSILITY</b><br>tel 1.541.323.3228 800 877.670.7118<br>fax 1.541.323.4202 web tensility.com |
| A         | 4/28/2021 | Initial release | Verified:<br>JC<br><small>Digitally signed by JC<br/>Date: 2021.05.05 10:55:46<br/>-07'00'</small>           | RoHS compliant<br>Phthalate free<br>Function test: no open, no short circuit, no intermittent |   |
|           |           |                 | Dimensions are in millimeters.<br>Tolerances:<br>X: $\pm 0.5$ mm<br>X.X: $\pm 0.3$ mm<br>X.XX: $\pm 0.05$ mm | Description:<br>Wire, 9C TS, 18 AWG, UL 21296, 300V, 105C, 6.9 mm, TPE                        | Size: A<br>Part number: 30-01956  |
|           |           |                 |  |   | Scale: 10:1  Sheet 1 of 1   |

5

4

3

2

1