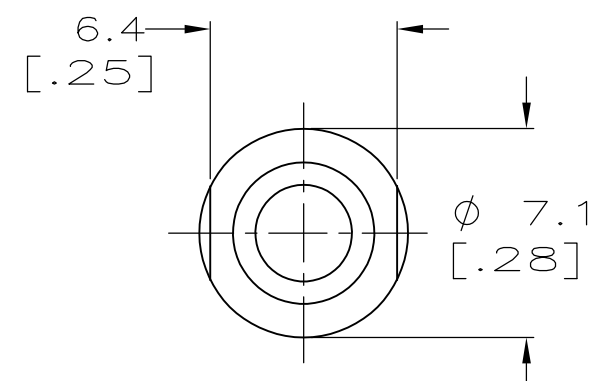
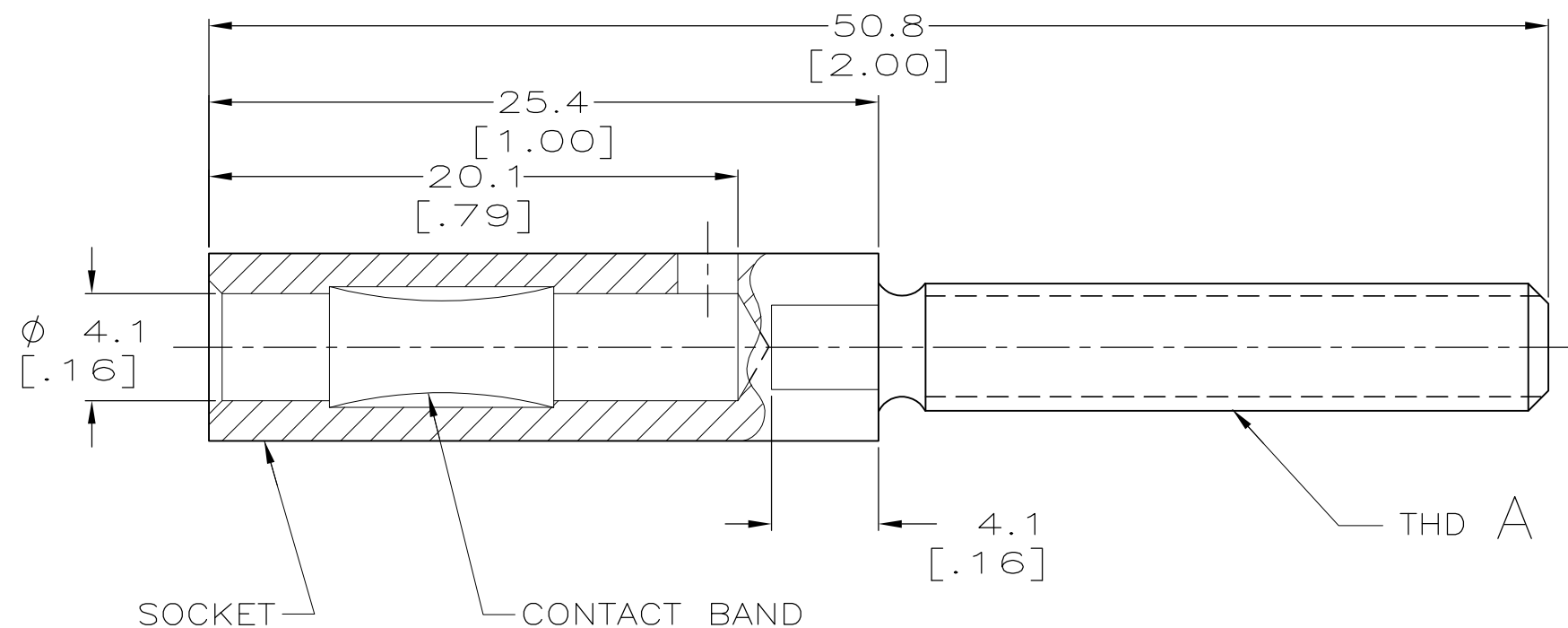


THIS DRAWING IS UNPUBLISHED. RELEASED FOR PUBLICATION ,19 .
 © COPYRIGHT 19 BY AMP INCORPORATED. ALL INTERNATIONAL RIGHTS RESERVED.

LOC	DIST	P	F	REVISIONS				
				ZONE	LTR	DESCRIPTION	DATE	APPD
CH	11				A	ECN96022902	01/MAR/96	-
					A1	REVISED PER ECO-09-020935	08SEP09	AEG



NOTE:

1 OBSOLETE PARTS: OBSOLETE CIS STREAMLINING PER D.RENAUD/D.SINISI

1 OBSOLETE	M5 X 0.8	09025	192129-2
	10-32 UNF-2A	09110	192129-1

DO NOT SCALE PRINT. UNLESS SPECIFIED DIMENSIONS IN mm [INCHES] TOLERANCES ON: 1 PLC DEC ± 0.25 3 PLC DEC ± - ANGLES ± -		DR RA JAYNE 11-07-91	AMP AMP Incorporated Harrisburg, PA 17105-3608
MATERIAL BRASS		CHK S.SIEGRIST 02-06-92	
FINISH SILVER PLATE		APPD S.SIEGRIST 02-06-92	NAME SOCKET,4mm
		APPD P.GLASER 02-06-92	SIZE B
		PRODUCT SPEC -	CAGE CODE 00779
		APPLICATION SPEC -	DRAWING NO 192129
		WEIGHT -	SCALE 4:1
			SHEET 1 OF 1

METRIC