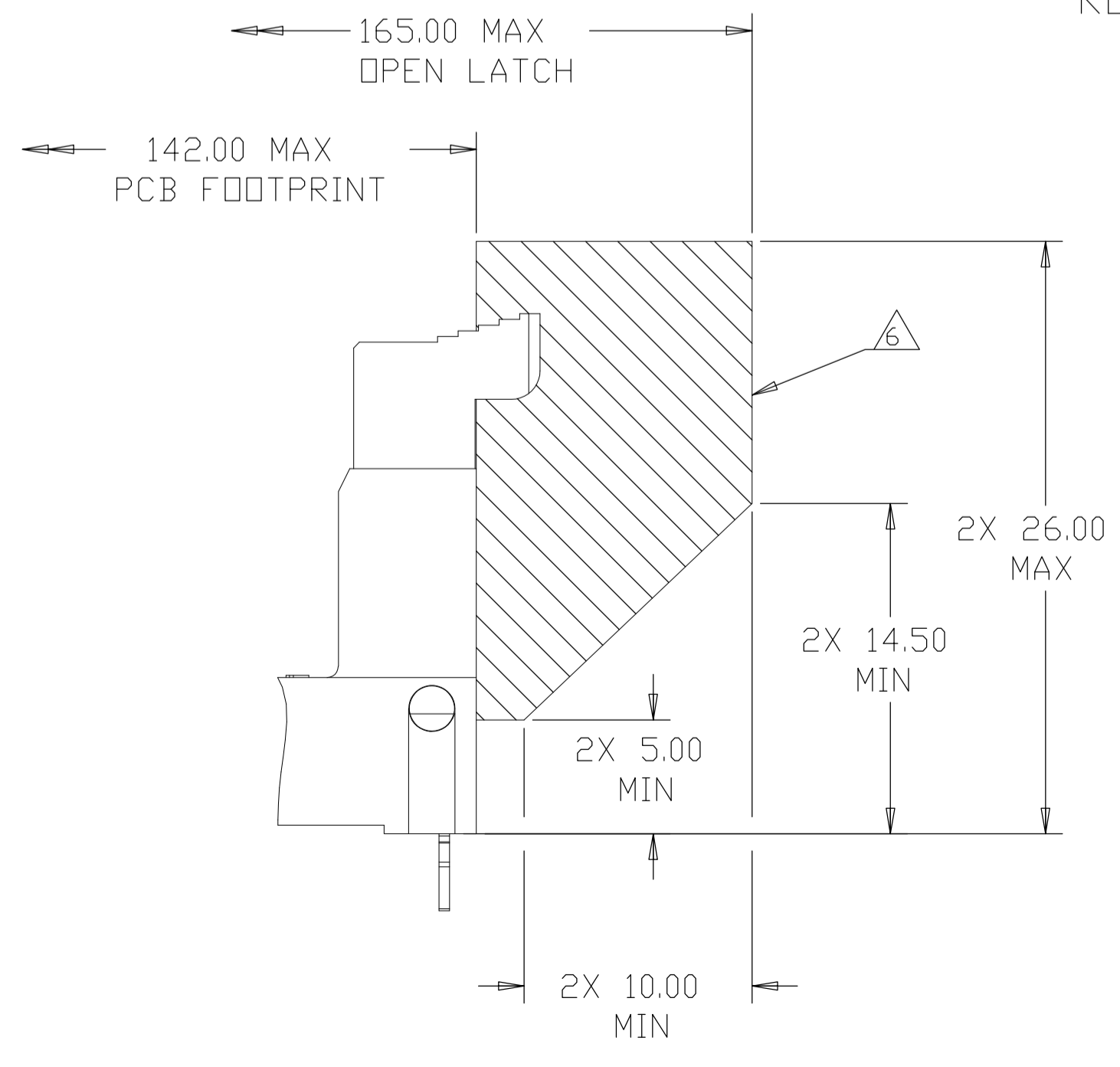
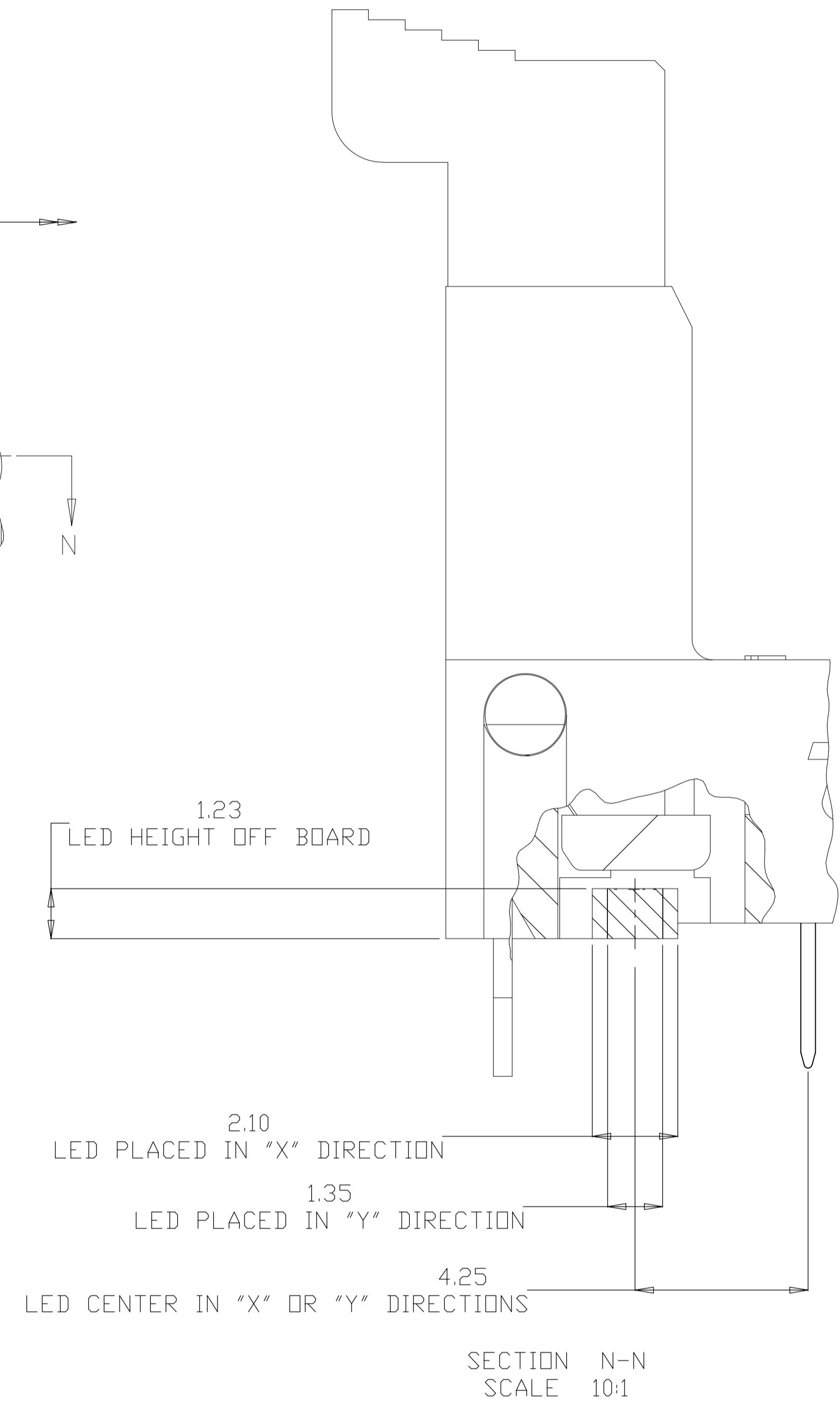
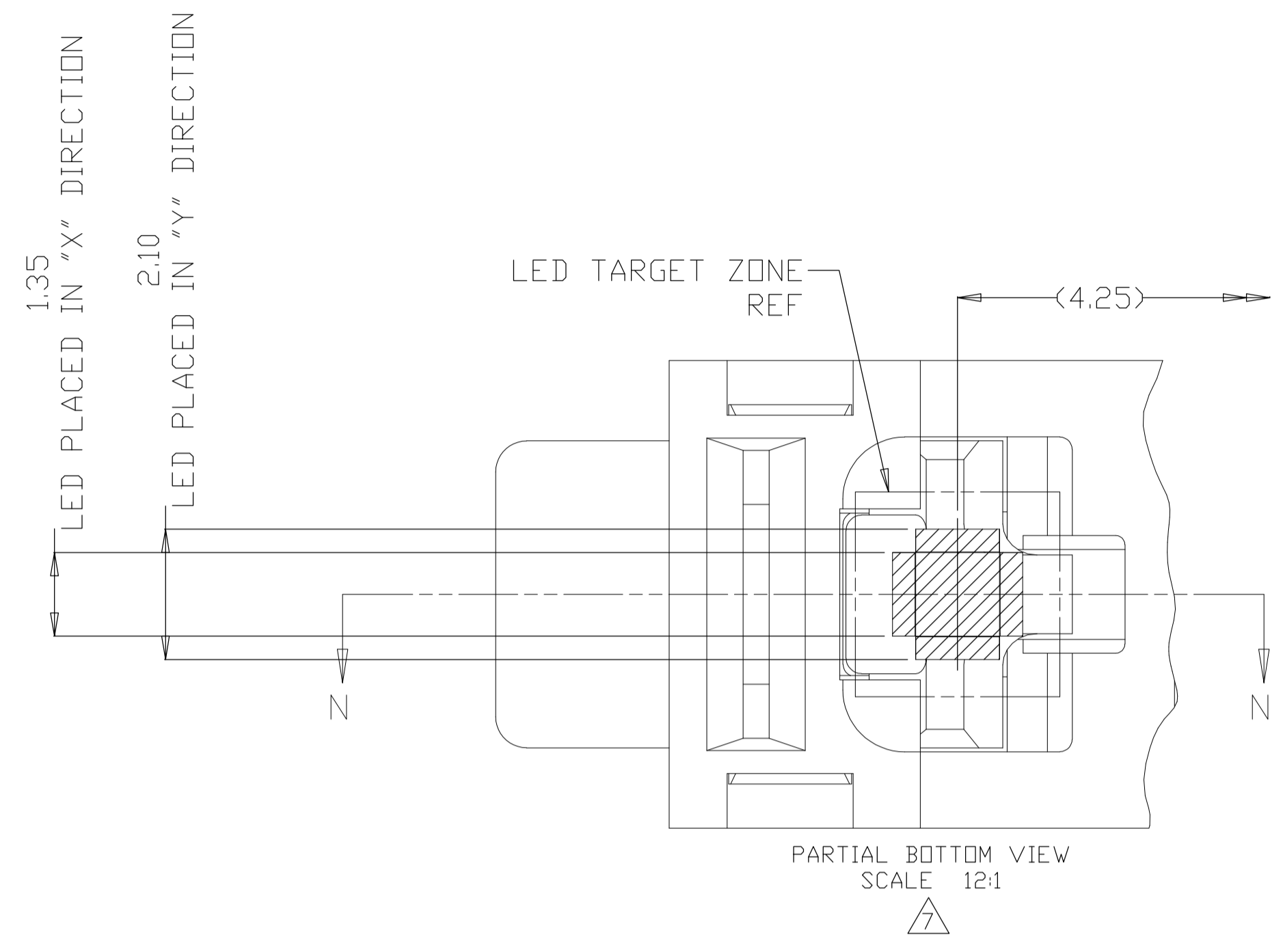


RETENTION BARB TYPE SHOWN ON ALL SHEET UNLESS OTHERWISE NOTED

- MATERIALS:**
- HOUSING: HIGH TEMPERATURE NYLON, UL94 V-0
 - EXTRACTOR: HIGH TEMPERATURE NYLON, UL94 V-0
 - CONTACTS: COPPER ALLOY
 - RETENTION BARB: BRASS, TIN PLATED
- INTERFACE FINISH:**
- (1) 0.00038 MIN THK GOLD OVER 0.00127 MIN THK NICKEL.
 - (2) 0.00008 MIN THK GOLD OVER 0.00127 MIN THK NICKEL.
 - (3) 0.00076 MIN THK GOLD OVER 0.00127 MIN THK NICKEL.
- FINISHED HOLE SIZE:** 0.15 MAXIMUM ANNULAR RING.
- KEEP OUT ZONE:**
- KEEP OUT AREA RESERVED FOR SOCKET EXTRACTORS, BOTH ENDS.
- SOLDERTAIL FINISH:** 0.00300 MIN THK MATTE TIN OVER 0.00127 MIN THK NICKEL.
- LED LOCATION AS APPLICABLE PER CUSTOMER.**
- DATUM -G- IS CONNECTOR SIDE SURFACE OF PCB.**



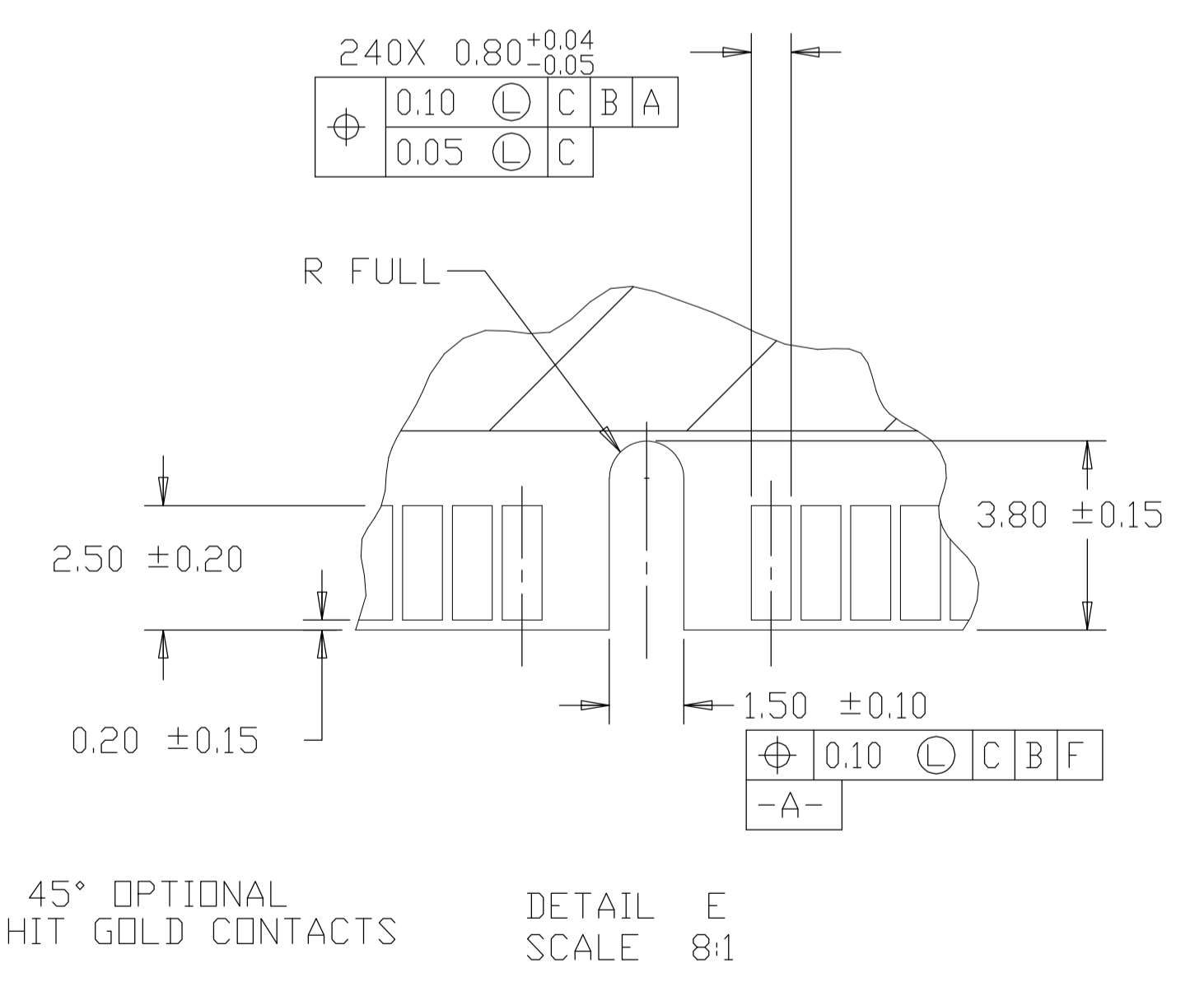
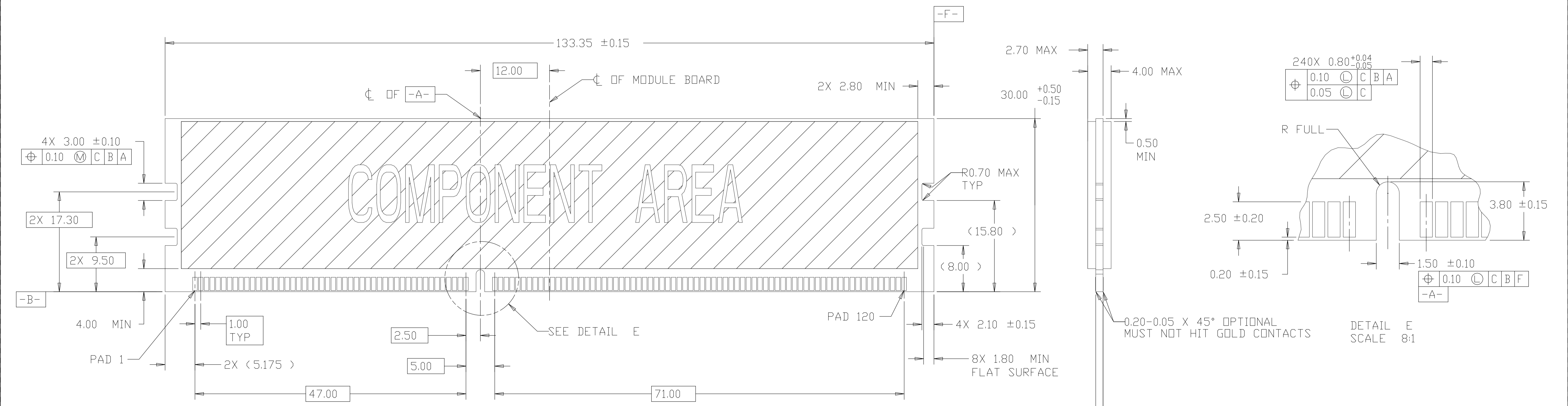
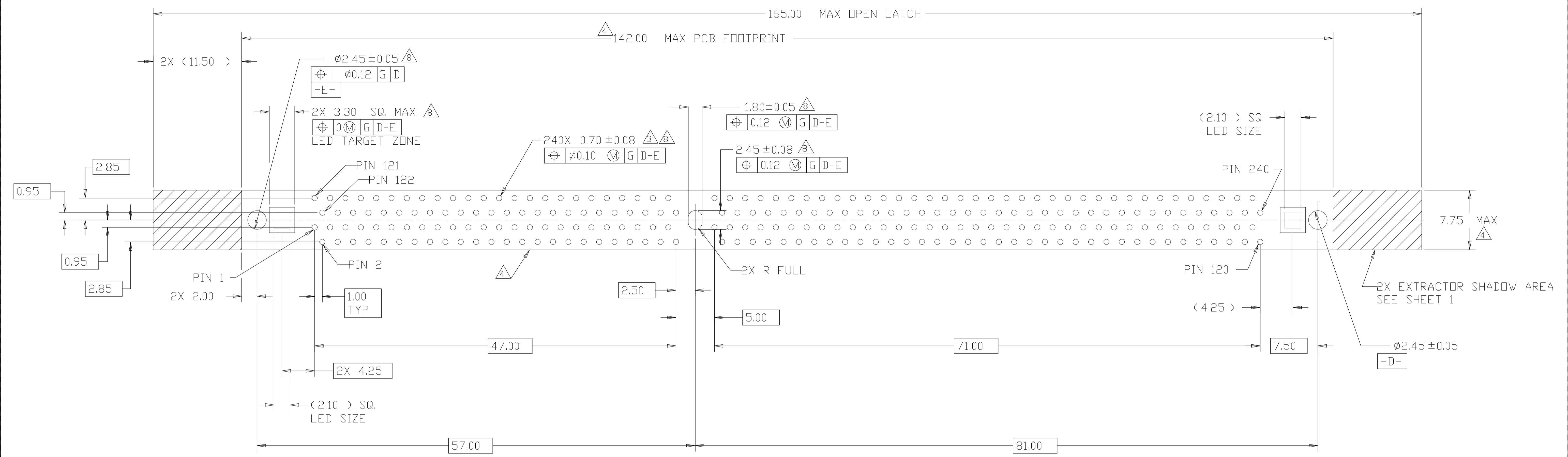
THIS DRAWING IS A CONTROLLED DOCUMENT.		DIN LEO ZHOU 28FEB2007	TE Connectivity
DIMENSIONS: mm		CHK STEVEN YAO 28FEB2007	
TOLERANCES UNLESS OTHERWISE SPECIFIED:		APVD STEVEN YAO 28FEB2007	NAME
0. PLC ± -		PRODUCT SPEC	SOCKET ASSEMBLY, VERTICAL DDR3 DIMM, SOLDER TAIL, 240 POSITION
1. PLC ± 0.5		APPLICATION SPEC	108-2256
2. PLC ± 0.13		SIZE	114-13154
3. PLC ± 0.013		WEIGHT	A1 00779
4. PLC ± 0.0001		SCALE	4:1
ANGLES ± -		SHEET	1 OF 4
FINISH		RESTRICTED TO	REV H7
CUSTOMER DRAWING		DRAWING NO. 1932000	

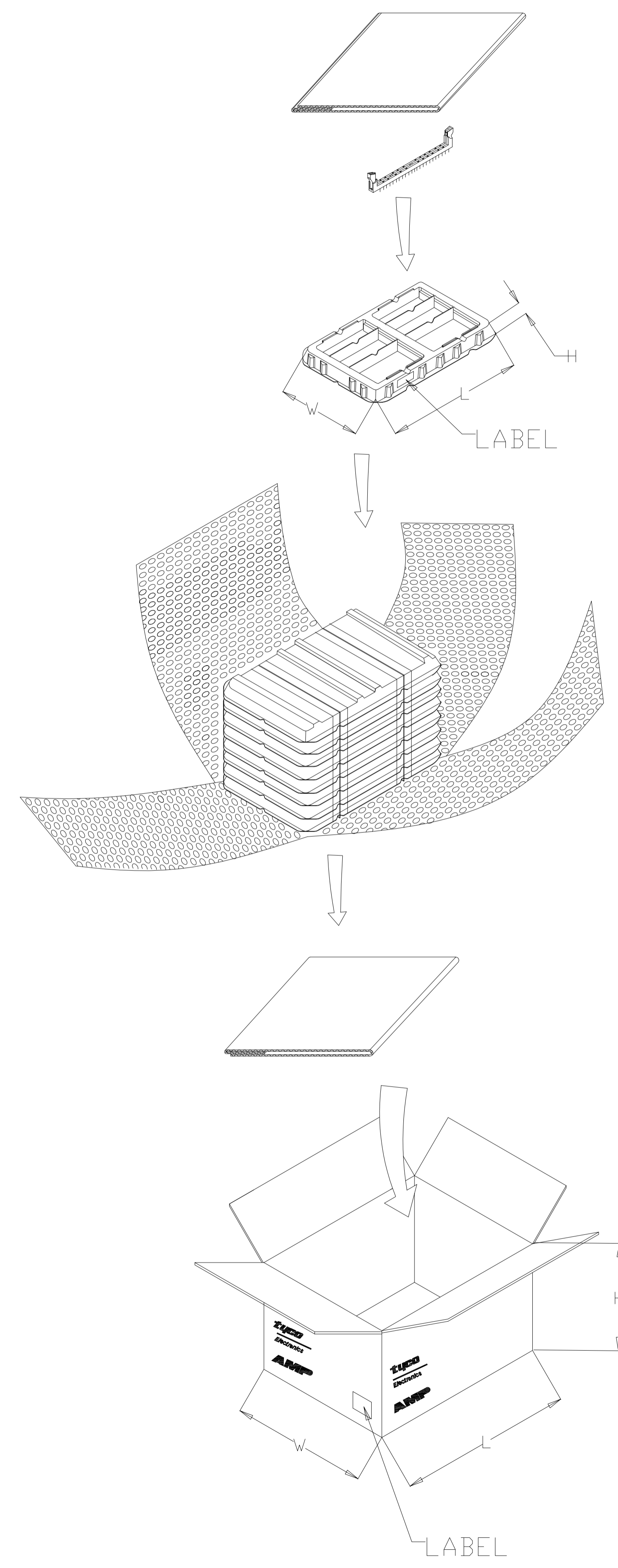


HOUSING STYLE	EXTRACTOR COLOR	HOUSING COLOR	CONTACT GOLD INTERFACE	TAIL LENGTH	PART NUMBER
RETENTION BARB	BLACK	BLACK	0.00076 MIN (30u'')	2.54	7-1932000-6
	NATURAL	BLACK	0.00076 MIN (30u'')	2.54	7-1932000-5
	NATURAL	BLUE(2935U)	0.00038 MIN(15u'')	2.67	7-1932000-2
	NATURAL	PINK(701C)	0.00008 MIN (3u'', FLASH)	2.54	6-1932000-5
		BLUE(284C)		2.54	6-1932000-4
	BLACK	BLACK	0.00076 MIN (30u'')	4.00	5-1932000-2
				3.18	5-1932000-1
	NATURAL	BLACK	0.00076 MIN (30u'')	4.00	4-1932000-8
				3.18	4-1932000-7
				2.67	4-1932000-6
	NATURAL	GREEN(368C) BLUE(284C) ORANGE(021C)	0.00038 MIN (15u'')	2.67	3-1932000-3
				2.67	2-1932000-5
				2.67	2-1932000-1
	BLACK	BLACK	0.00038 MIN (15u'')	3.18	1-1932000-7
				2.67	1-1932000-6
	NATURAL	BLACK	0.00008 MIN(3u'')	4.00	1-1932000-5
				3.18	1-1932000-1
	NATURAL	NATURAL	0.00038 MIN (15u'')	2.67	1-1932000-0
				2.67	1932000-7
				4.00	1932000-6
3.18				1932000-5	
NATURAL	NATURAL	0.00008 MIN (3u'', FLASH)	2.67	1932000-4	
			4.00	1932000-3	
			3.18	1932000-2	
			2.67	1932000-1	

THIS DRAWING IS A CONTROLLED DOCUMENT.

DIMENSIONS: mm	TOLERANCES UNLESS OTHERWISE SPECIFIED:	DIN LEO ZHOU 28FEB2007	STE Connectivity
0. PLC ± -	1. PLC ± 0.5	CHK STEVEN YAO 28FEB2007	SOCKET ASSEMBLY, VERTICAL DDR3 DIMM, SOLDER TAIL, 240 POSITION
2. PLC ± 0.15	3. PLC ± 0.013	APVD STEVEN YAO 28FEB2007	RESTRICTED TO
4. PLC ± 0.0001	ANGLES ± -	PRODUCT SPEC	SIZE A1
MATERIAL	FINISH	APPLICATION SPEC	WEIGHT
		SCALE 4:1	SHEET 2 OF 4
		CUSTOMER DRAWING	REV H7





BOTTOM TRAY

TRAY

CARTON

NOTES:

1. MATERIAL:
 - 1.1 TRAY: PVC
 - 1.2 SHIPPING CARTON : CORRUGATED FIBERBOARD
2. DIMENSION :
 - 2.1 TRAY : L=363, W=255, H=33
 - 2.2 SHIPPING CARTON : L=375, W=265, H=280
3. QUANTITY :
 - 3.1 PRIMARY PACKING : 50 PCS/TRAY
 - 3.2 SECONDARY PACKING : 8 TRAY/CARTON(400PCS)
4. WEIGHT :
 - 4.1 NET WEIGHT : 3.76 KG
 - 4.2 GROSS WEIGHT: 6.00 KG

THIS DRAWING IS A CONTROLLED DOCUMENT.		DIN LEO ZHOU 28FEB2007		TE Connectivity	
DIMENSIONS: mm		CHK STEVEN 28FEB2007			
TOLERANCES UNLESS OTHERWISE SPECIFIED:		APVD STEVEN YAO 28FEB2007		NAME	
0. PLC ± -		PRODUCT SPEC		SOCKET ASSEMBLY, VERTICAL DDR3 DIMM, SOLDER TAIL, 240 POSITION	
1. PLC ± 0.50		APPLICATION SPEC		SIZE CAGE CODE DRAWING NO	
2. PLC ± 0.13		WEIGHT		A1 00779 C=1932000	
3. PLC ± 0.013		CUSTOMER DRAWING		SCALE -- SHEET 4 OF 4 REV H7	
4. PLC ± 0.0001					
ANGLES ± -					
FINISH					