

Ratings

Voltage: 150 V
 Temperature: -40~70 °C

Conductor

Conductor count: 10
 Gauge: 18 AWG 0.82 mm²
 Material: tinned copper strands
 Strand size: $\varnothing 0.127 \times 65$
 Resistance at 20 °C: 23.2 Ω /km Max

Insulator

Material: HDPE
 Color: black, white, red, yellow, blue, green, orange, purple, gray, brown
 Diameter: $\varnothing 1.65 \pm 0.10$ mm
 Nominal thickness: 0.21 mm
 Resistance at 20 °C: 100 M Ω /km Min

Wrap

Material: cotton paper

Filler

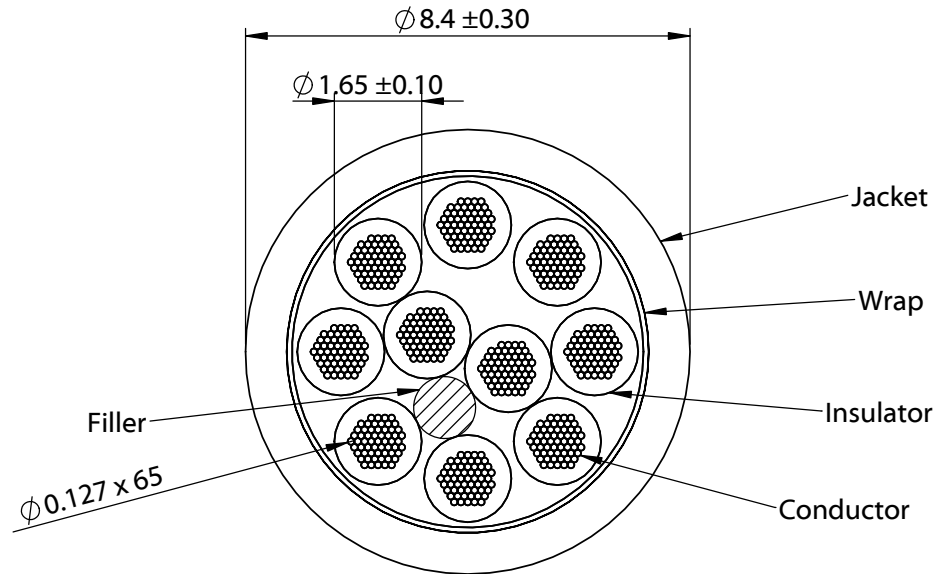
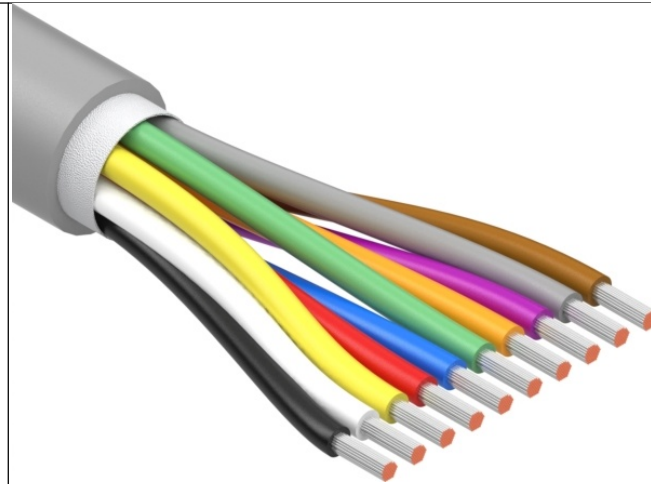
Material: aramid fiber

Outer jacket

Material: TPU
 Color: gray
 Diameter: $\varnothing 8.4 \pm 0.30$ mm
 Nominal thickness: 0.70 mm

Tests

Tensile strength: 26 kgf min
 Dielectric test: 1500 V dc for 1 minute without breakdown
 Bend test at 200 g, $\pm 60^\circ$, 30 cycles /min: 15,000 cycle minimum



Revision:	Date:	Description:	Prepared: PB <small>Digitally signed by PB Date: 2022.08.30 14:51:19 -07'00'</small>	Notes:	TENSILITY <small>tel 1.541.323.3228 800 877.670.7118 fax 1.541.323.4202 web tensility.com</small>
A	8/24/2022	Initial release	Verified: MP <small>Digitally signed by MP Date: 2022.09.20 09:50:51 -07'00'</small>	RoHS compliant Jacket meets ISO 10993 Biological Compatibility Phthalate and halogen free Function test: no open, no short, no intermittent	
			Dimensions are in millimeters. Tolerances: X: ± 0.5 mm X.X: ± 0.3 mm X.XX: ± 0.05 mm	Description: Wire, 10C TS, 18 AWG, 150V, 70C, 8.4 mm, TPU, 75A, gray, WBL	Size: A Part number: 30-02766
					Scale: 7:1 Sheet 1 of 1

5

4

3

2

1