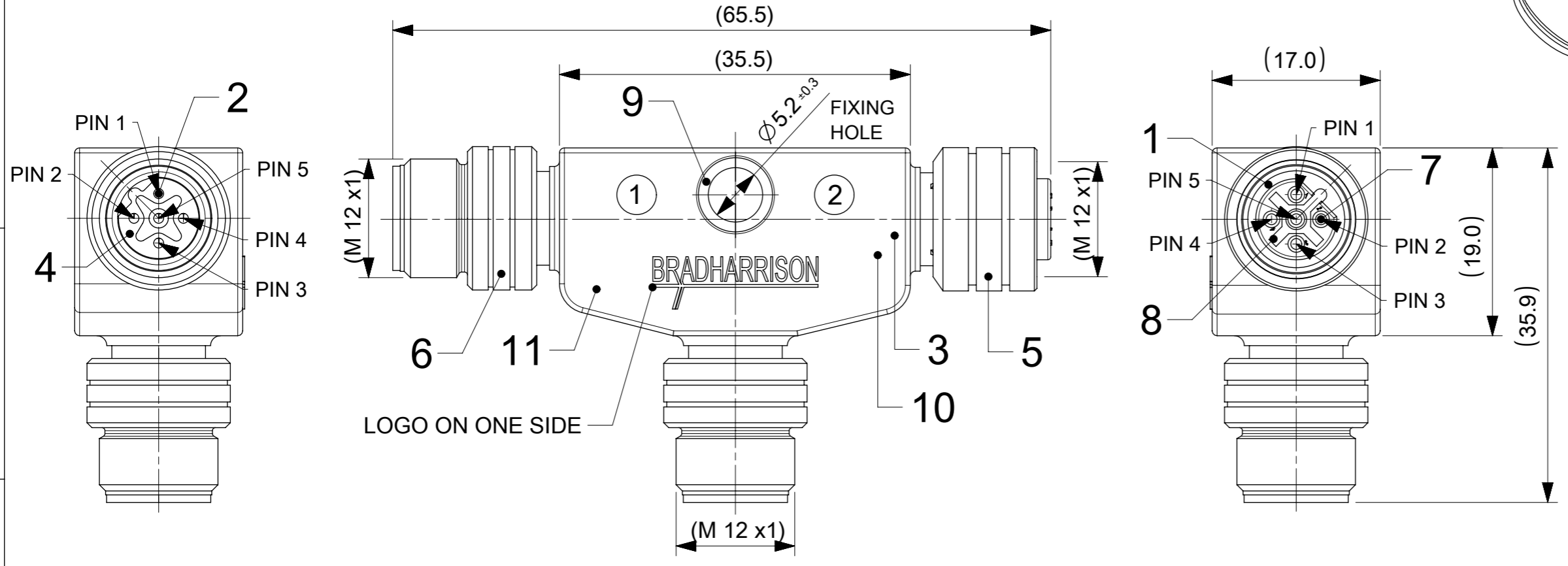
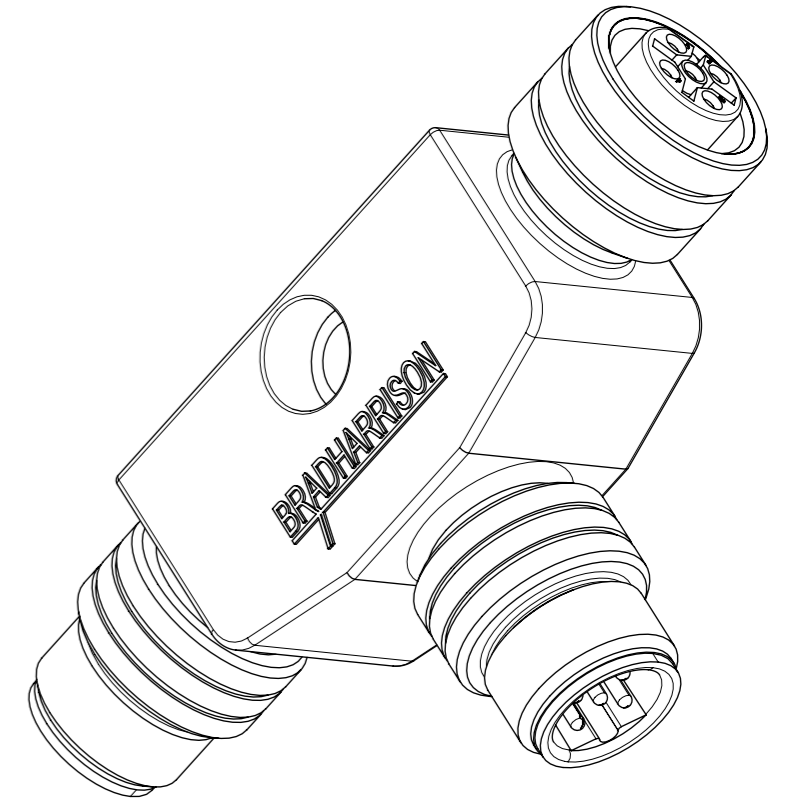
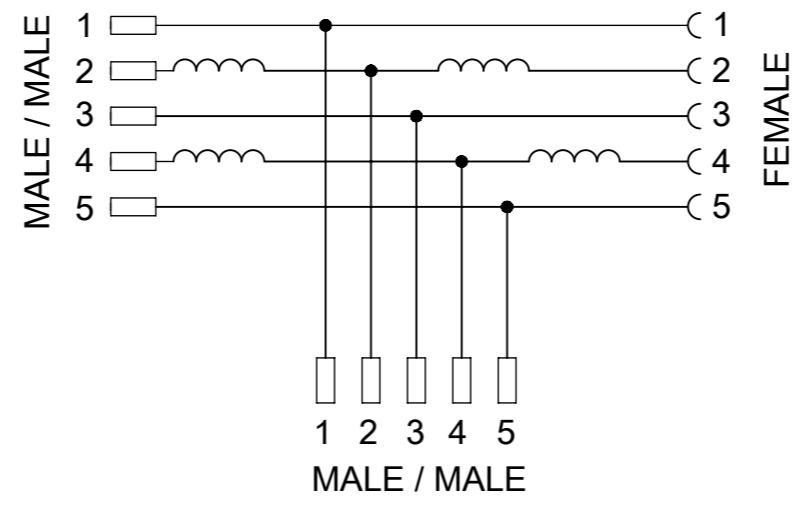


PRODUCT SPECIFICATION:

VOLTAGE RATING: 30 VAC / 36 VDC  
 AMPERAGE RATING: 4 AMPS  
 PROTECTION: IP68 (IEC 605290)  
 OPERATING TEMPERATURE: -25°C TO +80°C

WIRING DIAGRAM



ITEM	QTY	DESCRIPTION
11	1	OVERMOLD PVC BLACK
10	1	PCB;PROFIBUS-TEE;5WAY
9	1	SPACER PROFI-BUS TEE SPLITTER
8	1	M12 FEM Insert 5P B-Code
7	5	M12-FE-CONTACT-PCB PROFI TEE
6	2	M12 MALE COUP NUT(SHIELD)
5	1	NUT M12 BRA FE KNU NI
4	2	MODIFIED 5P-MM-AC(E)-INSRT-TEE
3	1	SPACER-FE-INVERTED KEYWAY **
2	10	M8-M-ROLLED STRIP FORM CONTACT
1	1	GASKET OR FPM 7.1X1.35 RD 60 M12

PART LIST

MOLEX PN	ENGINEERING NO.
1201010003	PDT001

FUNCTIONAL SYMBOLS $\nabla/A = 0$ $\nabla/E = 0$ $\nabla/P = 0$	THIS DRAWING CONTAINS INFORMATION THAT IS PROPRIETARY TO MOLEX ELECTRONIC TECHNOLOGIES, LLC AND SHOULD NOT BE USED WITHOUT WRITTEN PERMISSION DIMENSION UNITS: <b>mm</b> SCALE: <b>2:1</b>	CURRENT REV DESC: CHANGED FROM MOLEX INTERNAL TO GENERAL MARKET EC NO: 654055 DRWN: RSCHIEBER 2021/01/27 CHK'D: RSILLER 2021/01/27 APPR: RSILLER 2021/01/27			
	GENERAL TOLERANCES (UNLESS SPECIFIED) ANGULAR TOL ± 1.0° 4 PLACES ± 3 PLACES ± 2 PLACES ± 0.05 1 PLACE ± 0.3 0 PLACES ± 0.5	INITIAL REVISION: DRWN: RSCHIEBER 2020/11/17 APPR: RSILLER 2021/01/26			
	DIVISIONAL SYMBOLS DRAFT WHERE APPLICABLE MUST REMAIN WITHIN DIMENSIONS THIRD ANGLE PROJECTION	DRAWING: <b>A3-SIZE</b> SERIES: <b>120101</b>	MATERIAL NUMBER: <b>1201010003</b> CUSTOMER: <b>GENERAL MARKET</b>	DOCUMENT NUMBER: <b>1201010003</b> DOC TYPE: <b>PSD</b> DOC PART: <b>000</b> REVISION: <b>A1</b>	SHEET NUMBER: <b>1 OF 1</b>