



Basic switch for position switch 3SE5162 Metal enclosure XL, 56 mm wide  
Device connection 3x(M20 x 1.5) IP66/IP67 2 x (1 NO/2 NC) Slow-action contacts without actuator head with increased corrosion protection

|  |  |
|--|--|
| <b>product brand name</b>  | SIRIUS   |
| <b>product designation</b>   | Mechanical safety switches                           |
| <b>product type designation</b>  | 3SE5   |
| <b>manufacturer's article number</b>   |  |
| • of the supplied switching contacts   | 1x 3SE5000-0BA00, 1x 3SE5060-0BA00                   |
| • of the supplied empty enclosure with cover   | 3SE5162-0AA00-1CA0, on request                       |
| suitability for use safety switch  | Yes  |
| <b>General technical data</b>  |  |
| product function positive opening  | Yes  |
| insulation voltage rated value   | 400 V  |
| <b>degree of pollution</b>   | class 3  |
| <b>surge voltage resistance rated value</b>  | 6 kV   |
| <b>protection class IP</b>   | IP66/IP67  |
| <b>shock resistance</b>  |  |
| • according to IEC 60068-2-27  | 30g / 11 ms  |
| vibration resistance according to IEC 60068-2-6  | 0.35 mm/5g   |
| mechanical service life (switching cycles) typical   | 5 000 000  |
| electrical endurance (switching cycles) at AC-15 at 230 V typical  | 100 000  |
| <b>electrical endurance (switching cycles) with contactor 3RH11, 3RT1016, 3RT1017, 3RT1024, 3RT1025, 3RT1026 typical</b> | 5 000 000  |
| <b>Electrical operating cycles in one hour with contactor 3RH11, 3RT1016, 3RT1017, 3RT1024, 3RT1025, 3RT1026</b>         | 6 000  |
| <b>thermal current</b>   | 10 A   |
| <b>reference code according to IEC 81346-2</b>   | B  |
| <b>continuous current of the C characteristic MCB</b>  | 1 A; for a short-circuit current smaller than 400 A  |
| <b>continuous current of the quick DIAZED fuse link</b>  | 10 A; for a short-circuit current smaller than 400 A |
| <b>continuous current of the DIAZED fuse link gG</b>   | 6 A  |
| <b>active principle</b>  | mechanical   |
| <b>repeat accuracy</b>   | 0.05 mm  |
| <b>Substance Prohibitance (Date)</b>   | 07/01/2006   |
| <b>minimum actuating force in directions of actuation</b>  | 30 N   |
| <b>length of the sensor</b>  | 107.7 mm   |
| <b>width of the sensor</b>   | 56 mm  |
| <b>design of the switching contact</b>   | mechanical   |
| <b>operating frequency rated value</b>   | 50 ... 60 Hz   |
| <b>number of NC contacts for auxiliary contacts</b>  | 2  |
| <b>number of NO contacts for auxiliary contacts</b>  | 2  |
| <b>operational current at AC-15</b>  |  |

|   |         |
|---|---------|
| <ul style="list-style-type: none"> <li>• at 24 V rated value</li> <li>• at 125 V rated value</li> <li>• at 240 V rated value</li> <li>• at 400 V rated value</li> </ul> | 6 A     |
|   | 6 A     |
|   | 6 A     |
|   | 4 A     |
| <b>operational current at DC-13</b>   |         |
| <ul style="list-style-type: none"> <li>• at 24 V rated value</li> <li>• at 125 V rated value</li> <li>• at 250 V rated value</li> <li>• at 400 V rated value</li> </ul> | 3 A     |
|   | 0.55 A  |
|   | 0.27 A  |
|   | 0.12 A  |
| design of the interface for safety-related communication  | without |

|   |                      |
|---|----------------------|
| <b>Enclosure</b>                            |                      |
| design of the housing                       | block, wide          |
| material of the enclosure                   | metal                |
| coating of the enclosure                    | cathodic dip coating |
| design of the housing according to standard | No                   |

|   |  |
|---|--|
| <b>Drive Head</b>                           |  |
| design of the actuating element             | Other, without, basic switch                                     |
| design of the switching function            | Positive opening with appropriate positive opening actuator head |
| circuit principle                           | slow-action contacts   |
| number of switching contacts safety-related | 2  |

|  |   |
|--|---|
| <b>Connections/ Terminals</b>  |   |
| type of electrical connection  | screw-type terminals  |
| type of connectable conductor cross-sections   |   |
| <ul style="list-style-type: none"> <li>• solid</li> <li>• finely stranded with core end processing</li> <li>• at AWG cables solid</li> <li>• at AWG cables stranded</li> </ul> | 1x (0.5 ... 1.5 mm <sup>2</sup> ), 2x (0.5 ... 0.75 mm <sup>2</sup> ) |
|  | 1x (0.5 ... 1.5 mm <sup>2</sup> ), 2x (0.5 ... 0.75 mm <sup>2</sup> ) |
|  | 1x (20 ... 16), 2x (20 ... 18)  |
|  | 1x (20 ... 16), 2x (20 ... 18)  |
| cable entry type   | 3x (M20 x 1.5)  |

|                                |         |
|--------------------------------|---------|
| <b>Communication/ Protocol</b> |         |
| design of the interface        | without |

|  |                |
|--|----------------|
| <b>Ambient conditions</b>  |                |
| ambient temperature  |                |
| <ul style="list-style-type: none"> <li>• during operation</li> <li>• during storage</li> </ul> | -25 ... +85 °C |
|  | -40 ... +90 °C |
| explosion protection category for dust   | none           |

|   |              |
|---|--------------|
| <b>Installation/ mounting/ dimensions</b> |              |
| mounting position                         | any          |
| fastening method                          | screw fixing |

|                                |  |
|--------------------------------|--|
| <b>Certificates/ approvals</b> |  |
| General Product Approval       |  |



[Confirmation](#)



|                                       |                           |                   |       |
|---------------------------------------|---------------------------|-------------------|-------|
| Functional Safety/Safety of Machinery | Declaration of Conformity | Test Certificates | other |
|---------------------------------------|---------------------------|-------------------|-------|

[Type Examination Certificate](#)



[Type Test Certificates/Test Report](#)

[Confirmation](#)

**Further information**

Information- and Downloadcenter (Catalogs, Brochures,...)  
<https://www.siemens.com/ic10>

Industry Mall (Online ordering system)

<https://mall.industry.siemens.com/mall/en/en/Catalog/product?mlfb=3SE5162-0BA00-1CA0>

Cax online generator

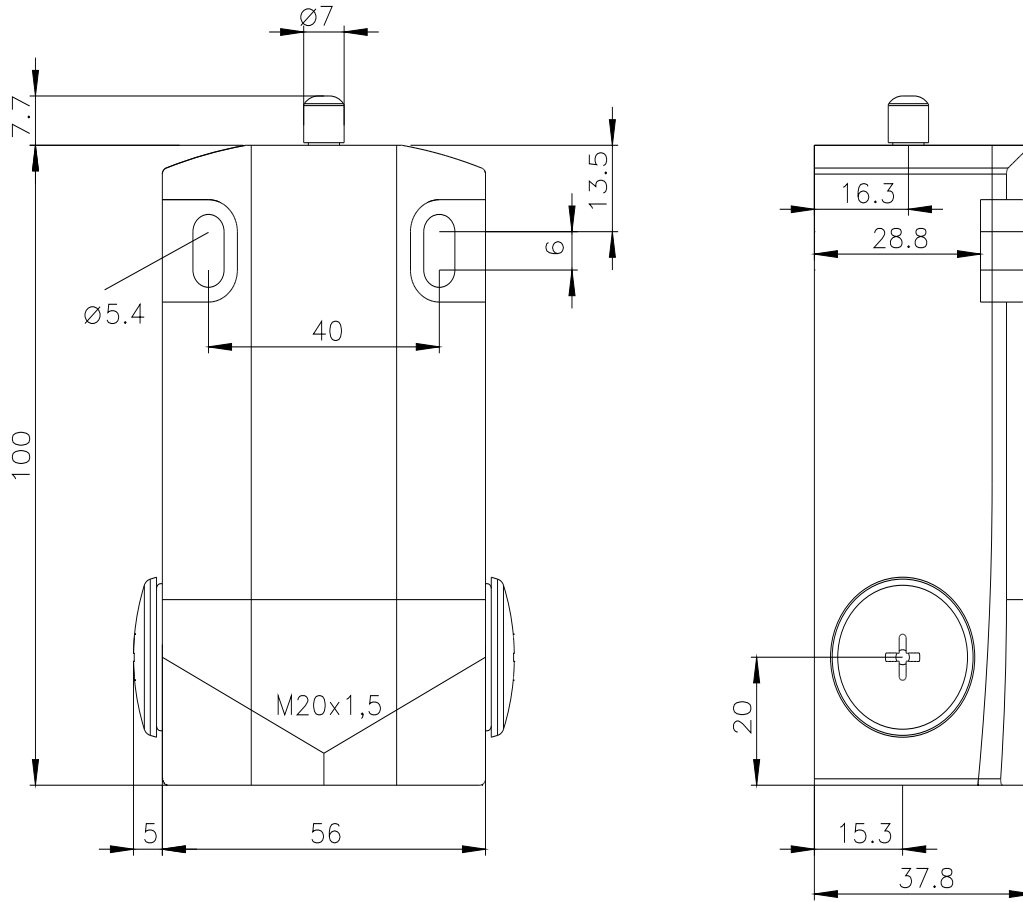
<http://support.automation.siemens.com/WW/CAXorder/default.aspx?lang=en&mlfb=3SE5162-0BA00-1CA0>

Service&Support (Manuals, Certificates, Characteristics, FAQs,...)

<https://support.industry.siemens.com/cs/ww/en/ps/3SE5162-0BA00-1CA0>

Image database (product images, 2D dimension drawings, 3D models, device circuit diagrams, EPLAN macros, ...)

[http://www.automation.siemens.com/bilddb/cax\\_de.aspx?mlfb=3SE5162-0BA00-1CA0&lang=en](http://www.automation.siemens.com/bilddb/cax_de.aspx?mlfb=3SE5162-0BA00-1CA0&lang=en)



last modified:

3/23/2022 