

4

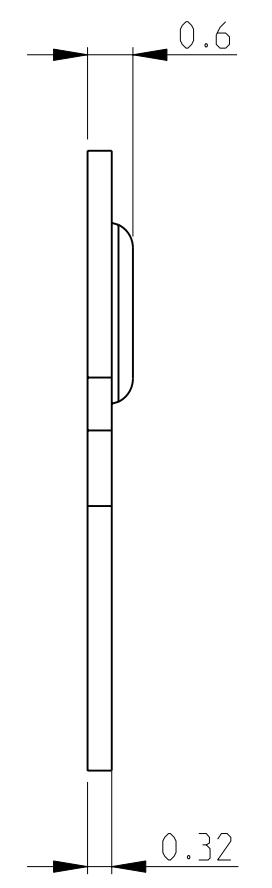
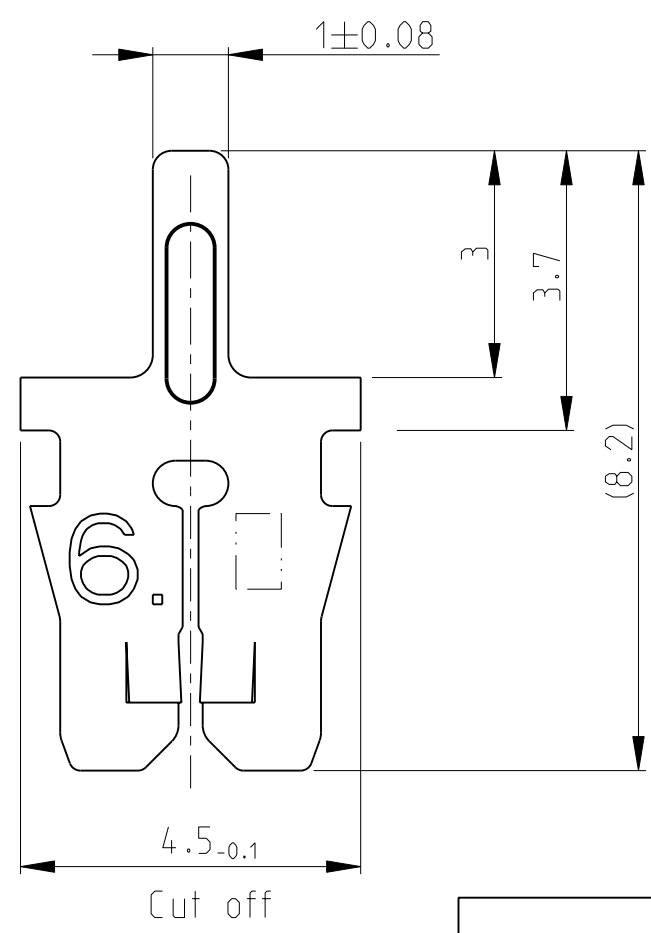
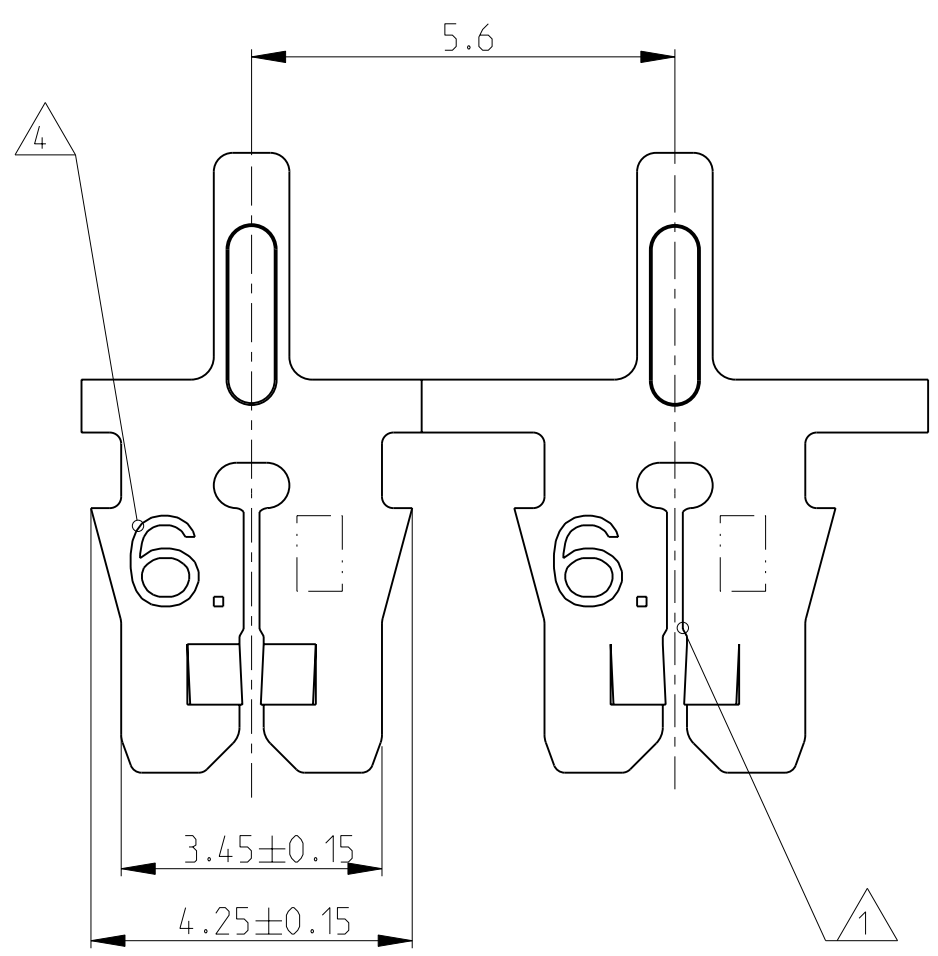
3

2

1

THIS DRAWING IS UNPUBLISHED. RELEASED FOR PUBLICATION
 © COPYRIGHT 2002 ALL RIGHTS RESERVED.

| LOC | DIST | REVISIONS | | | |
|-----|------|-------------|---------------------------|-----------|---------|
| P | LTR | DESCRIPTION | DATE | DWN | APVD |
| IR | - | A1 | Text hinzu | 29JUL2003 | Ba. PL. |
| | | A2 | RELEASED TO GENERAL SALES | 18JUL2011 | PKS RRP |



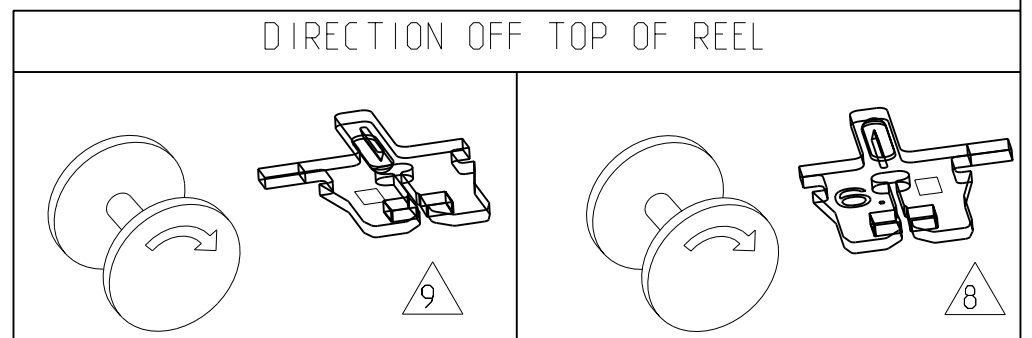
1 Geeignet fuer Kupperlackdraht Ø0.265...0.40 mm
 Einzeldraht oder zwei Draehte gleichen Durchmessers
 SLOT ACCEPTS:
 SINGLE OR DOUBLE MAGNET WIRE
 SAME DIAMETERS 0.265...0.40 mm DIA

2 Anlieferungszustand: Kontakte fortlaufend mit
 Papierzwischenlage auf Kunststoffspule aufgewickelt
 Max. 5 Splice Stellen pro Spule
 Splice Stellen nicht miteinander verbunden
 DELIVERY STATE: CONTACTS CONTINUOUS REELED WITH PAPER
 INTERLAYER ON PLASTIC-REEL.
 MAX. 5 SPLICES PER REEL
 SPLICES BE NOT BONDED TOGETHER.

3 Kontaktkammer nach Zeichnung } 411-18516
 CAVITY ACCORDING DWG. }

4 Kennziffer fuer Drahtgroessenbereich (6)
 IDENTIFICATION NO. FOR MAGNET WIRE RANGE (6)

5 Materialdicke } 0.32±0.02
 STOCK THICKNESS }



| REELING | TE PART NO. | REV. | 5 MATERIAL | SURFACE COLOR | DESCRIPTION |
|---------|-------------|------|------------|---------------|--------------------|
| 9 | 1-1534685-1 | A | CuSn | PRETINNED | MAG-MATE .300 mod. |
| 8 | 1534685-1 | C | CuSn | PRETINNED | MAG-MATE .300 mod. |

THIS DRAWING IS A CONTROLLED DOCUMENT.

DIMENSIONS: mm

TOLERANCES UNLESS OTHERWISE SPECIFIED:

| | |
|--------|------|
| 0 PLC | ±0.2 |
| 1 PLC | ±0.2 |
| 2 PLC | ±0.2 |
| 3 PLC | ±0.2 |
| 4 PLC | ±0.2 |
| ANGLES | ±1° |

MATERIAL SEE TABLE FINISH SEE TABLE

WEIGHT -

CUSTOMER DRAWING

DWN M. Neitzel 08JAN2002
 CHK H. Ploesser -
 APVD H. PLOESSER 26FEB2002
 PRODUCT SPEC -
 APPLICATION SPEC -

NAME MAG-MATE Kontakt mit Loetpin Baugroesse .300 mod.

SIZE A3 CAGE CODE 00779 DRAWING NO. C-1534685 RESTRICTED TO -

SCALE 10:1 SHEET 1 OF 1 REV A2

STE TE Connectivity