



Electrical Specifications

Center Frequency: 1565 MHz
Bandwidth: Fo ± 50 MHz
Pass Band: 1515-1615 MHz
Insertion Loss: 3.0 dB Max
VSWR: 2.0:1 Max
In/Out Impedance: 50 Ω
Power Handling: 1 W

Mechanical

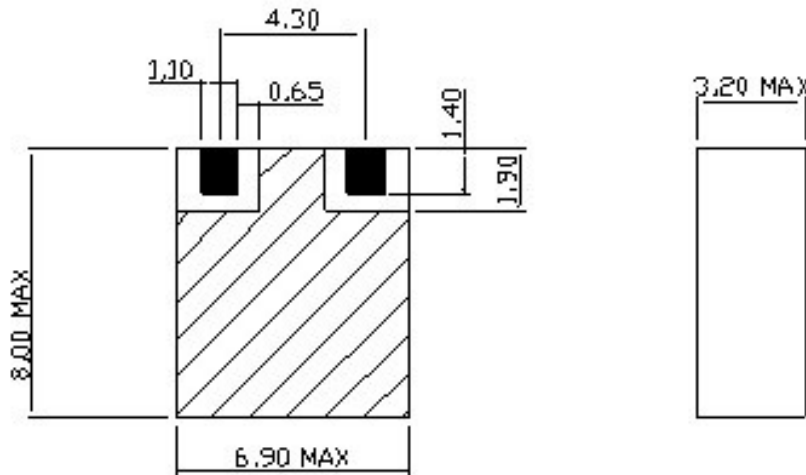
Mounting Method: Surface Mount
Dimensions: 8.0 x 6.90 x 3.20 mm

Environmental

Operating Temperature: -20 to +85° C
Storage Temperature: -30 to +95° C
Shock: 20 G. 11 ms
Vibration: 20 G. 5 to 200 MHz

This product is RoHS complaint.

Outline Drawing:



■ : I / O PORT

▨ : GROUND

1. Unit : mm
2. Tolerance : unless otherwise specified are ± 0. 20