



**Handle Series FG13-LH**

Functional handle with a handle ledge illuminatable over a large area. The LED colours red, yellow and green can be used to display the current operating status of the machine for example.

**Material and surface:**

Handle shanks made of glass ball blasted aluminium (AlMgSi 0.5). Anodized in black.  
 Handle ledge made of extruded hollow aluminium section AlMgSi 0.5; glass ball blasted and anodized in natural colour.  
 Illuminatable plastic insert made of extruded, translucent PMMA.

**Design features:**

Pleasant feel thanks to the generously rounded handle ledge bottom.

**Function elements:**

Two push buttons, as NO contacts.  
 Type FG13-LH15 additionally with emergency stop (two NC contacts).

**Connection A:**

12-pole connector in the mounting surface of the handle shank.  
 Coupling with 10 m ready-made cable available as accessory.

**Connection B:**

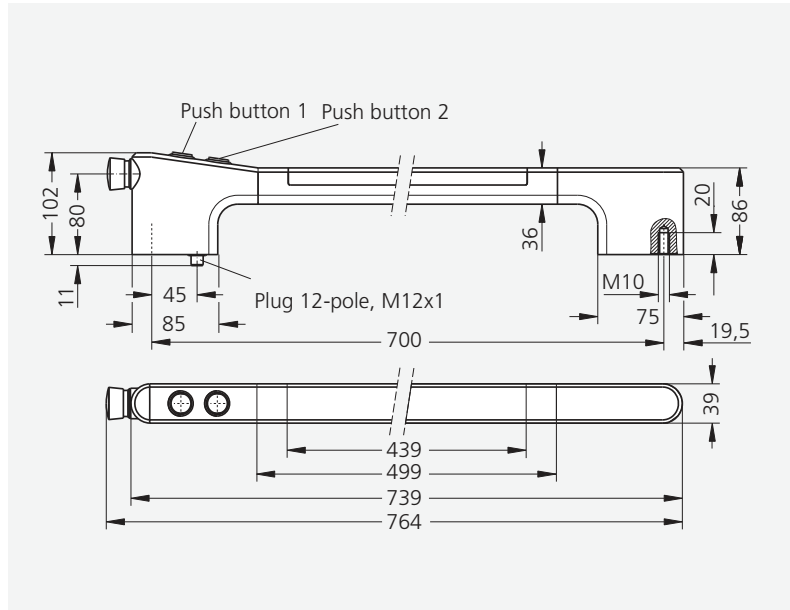
5 m connection cable leading out of the mounting surface of the handle shank.



**Protection class:**

IP 65 with coupling screwed on.

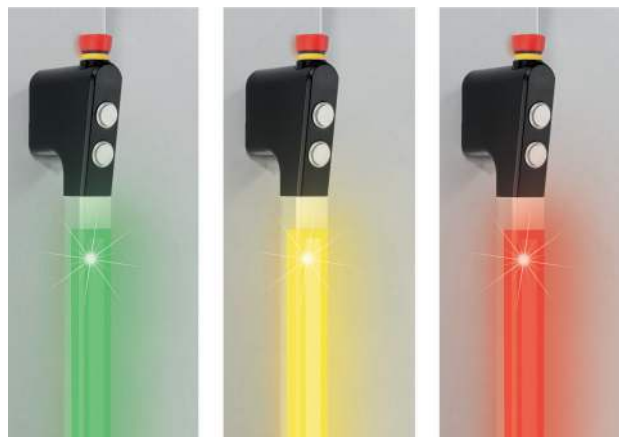
**Special designs:**

Other handle lengths and switching element assignments, as well as white handle ledge lighting on request.



	<b>FG13-LH12 with 2 push buttons</b>	<b>FG13-LH15</b>
	without emergency stop	with emergency stop
<b>Connection</b>	Order no.	Order no.
A Plug 	FG13-LH12.A700.S11	FG13-LH15.A700.S11
B Cable 	FG13-LH12.B700.S11	FG13-LH15.B700.S11

Other handle lengths on request



## Technical data

Typ	FG13-LH12	FG13-LH15
<b>Emergency stop</b> (2 NC contact)	without	
<b>Push button 1</b> (1 NO contact)		
<b>Push button 2</b> (1 NO contact)		
<b>LED board</b>		
<b>Emergency stop</b>	-	1-42 V AC/DC 100 mA
<b>Push button</b>		24 V AC/DC max. 1 A
<b>Operating voltage LED</b>		24 V DC (12 V DC optional)
<b>Connection type</b>		12-pole M12x1
<b>Connector assignment</b> (Plug side view)		
<b>Mounting cutout</b>		

## Handle accessories



10 m cable welded to coupling

Order no.

Order no.

12-pole (M12 x 1)

FZ-KS.G12.10

FZ-KS.W12.10

All dimensions in mm.