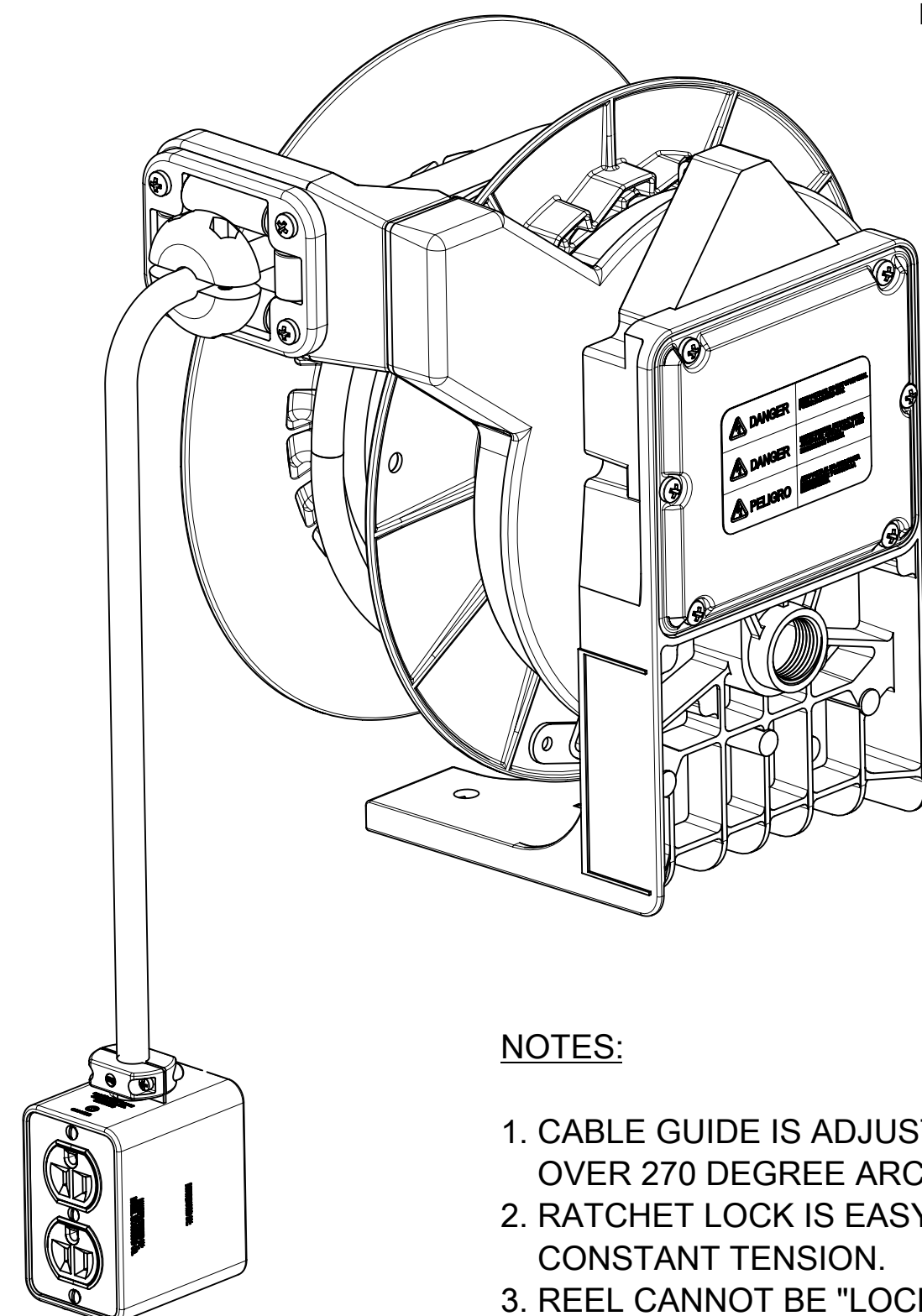
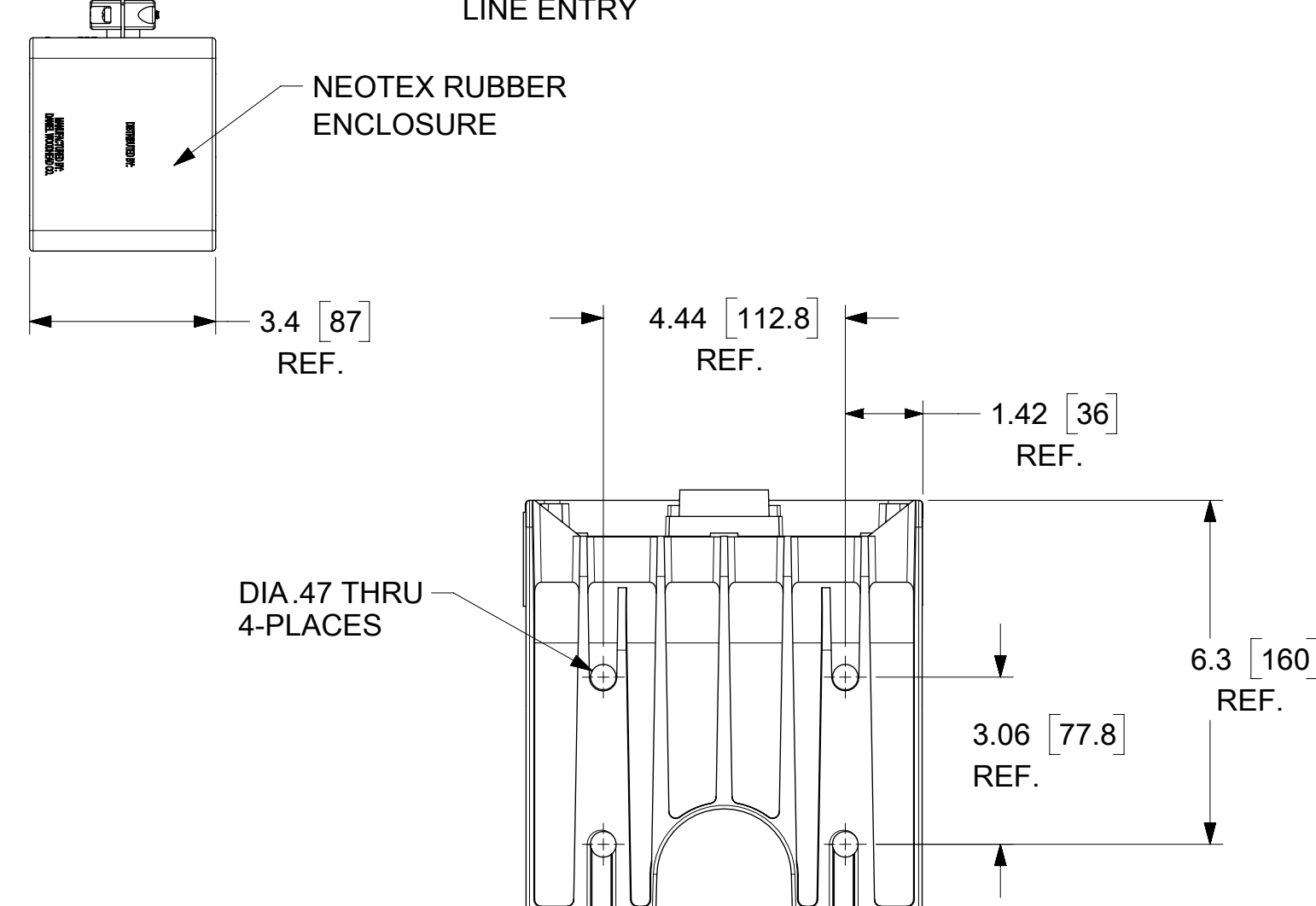
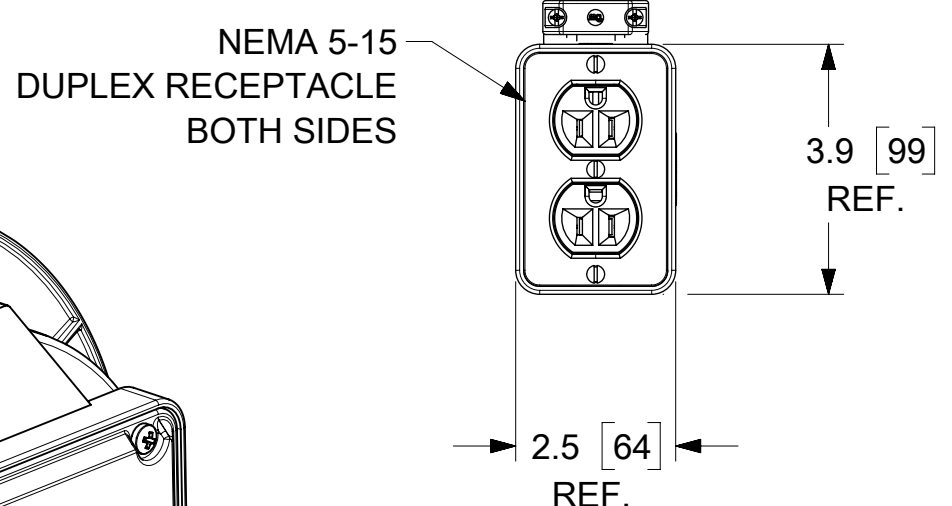
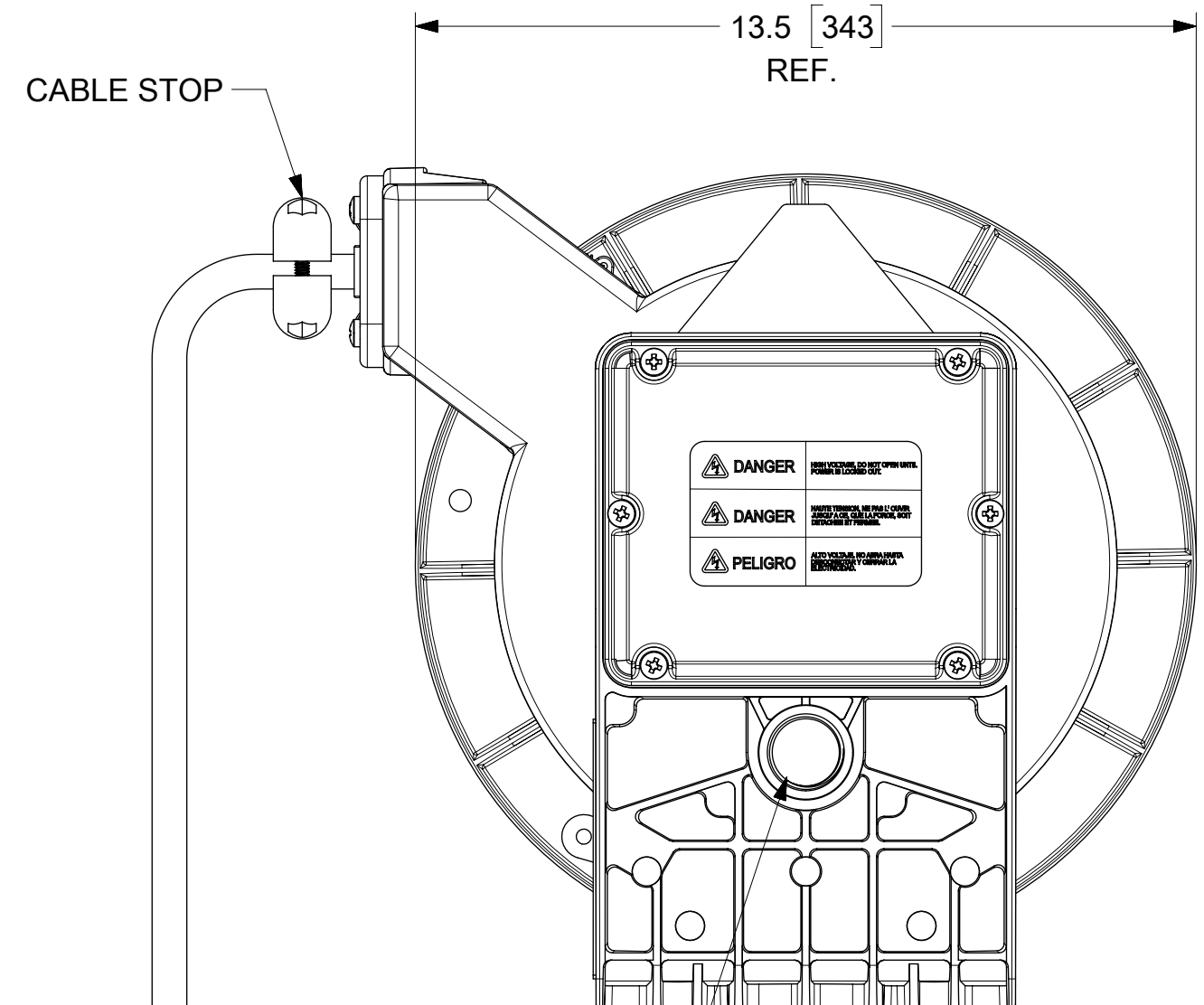
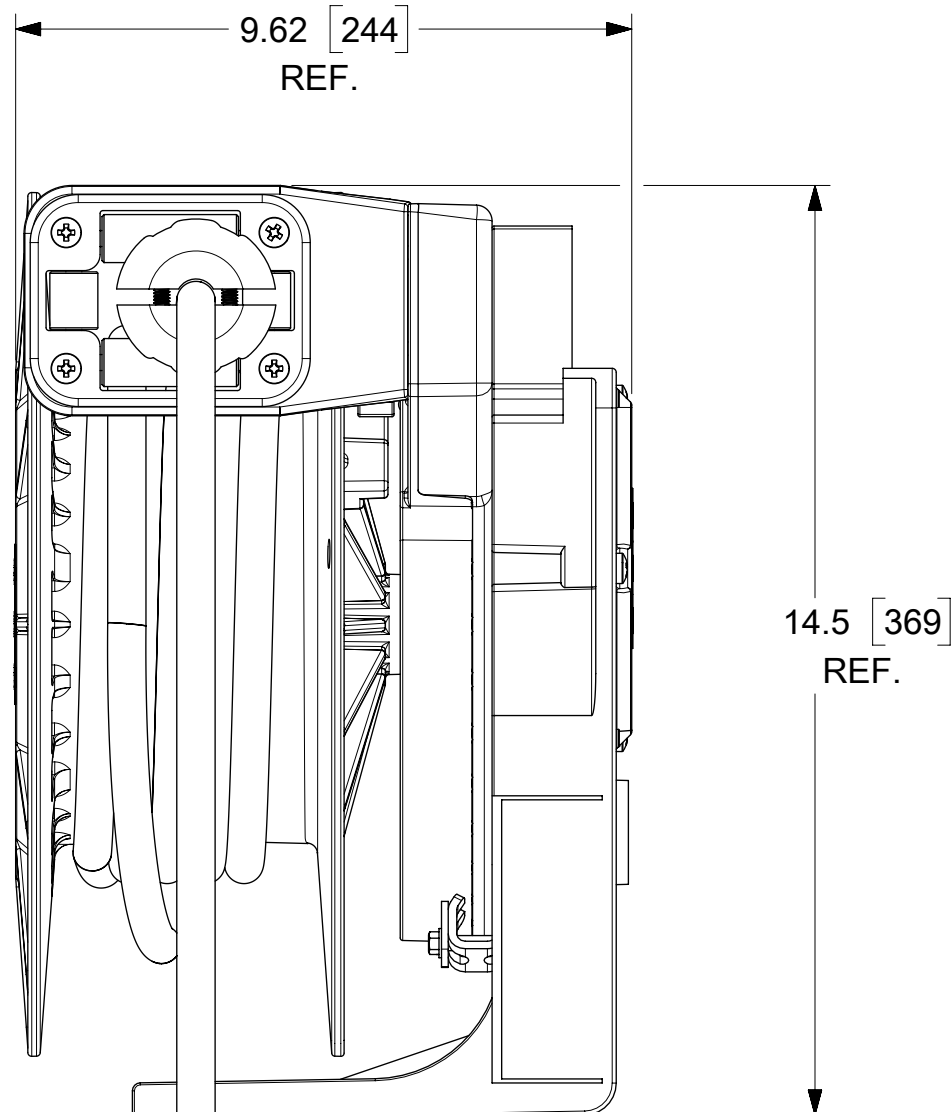


ORDER NO	130083-0246
WOODHEAD ENG. NO	9253-3000
WIRE GAUGE	14
CONDUCTORS	3
AMPERAGE	13A
WORKING CORD	25 FT. YELLOW
CORD TYPE	SOOW
CONSTRUCTION	HEAVY WALL CAST ALUMINUM
PAINT	YELLOW POWDER COAT
REEL ENCLOSURE RATING	NEMA 4 INDOOR / OUTDOOR
RETRACTION WEIGHT	4.0 LB [1.8 KG]



- NOTES:**
1. CABLE GUIDE IS ADJUSTABLE EVERY 5 DEGREES OVER 270 DEGREE ARC.
 2. RATCHET LOCK IS EASY TO DISENGAGE FOR CONSTANT TENSION.
 3. REEL CANNOT BE "LOCKED OUT" AT FULL EXTENSION.
 4. CABLE STOP IS INCLUDED.

FUNCTIONAL SYMBOLS	THIS DRAWING CONTAINS INFORMATION THAT IS PROPRIETARY TO MOLEX ELECTRONIC TECHNOLOGIES, LLC AND SHOULD NOT BE USED WITHOUT WRITTEN PERMISSION		
	DIMENSION UNITS	SCALE	CURRENT REV DESC: RELEASE CUSTOMER DRAWING
$F_A = 0$	INCH/MM	NTS	
$F_C = 0$	GENERAL TOLERANCES (UNLESS SPECIFIED)		
$F_D = 0$		MM	INCH
DIVISIONAL SYMBOLS	4 PLACES	±	±
	3 PLACES	±	± 0.005
	2 PLACES	± 0.13	± 0.01
	1 PLACE	± 0.25	± 0.02
	0 PLACES	±	±
	ANGULAR TOL	± 0.5°	
	DRAFT WHERE APPLICABLE MUST REMAIN WITHIN DIMENSIONS		
	THIRD ANGLE PROJECTION	DRAWING	SERIES
		C-SIZE	130083
		MATERIAL NUMBER	CUSTOMER
		SEE TABLE	GENERAL MARKET
		DOCUMENT NUMBER	DOC TYPE DOC PART REVISION
		1300830246	PSD 000 A
			SHEET NUMBER
			1 OF 1