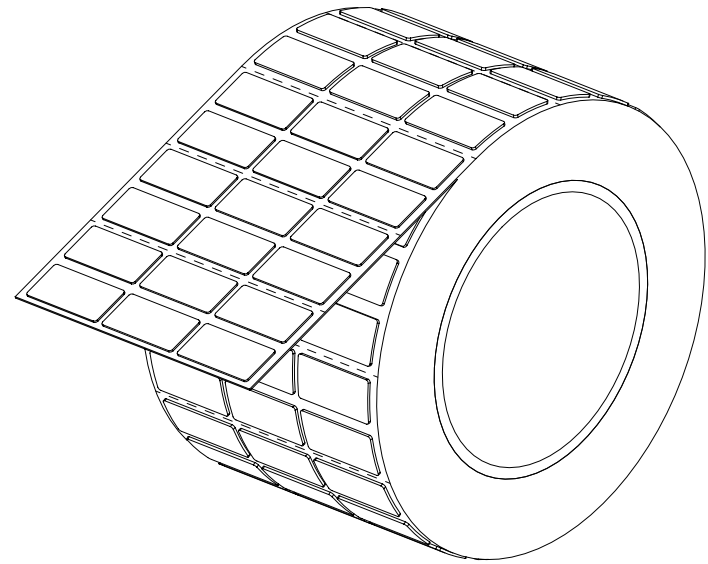
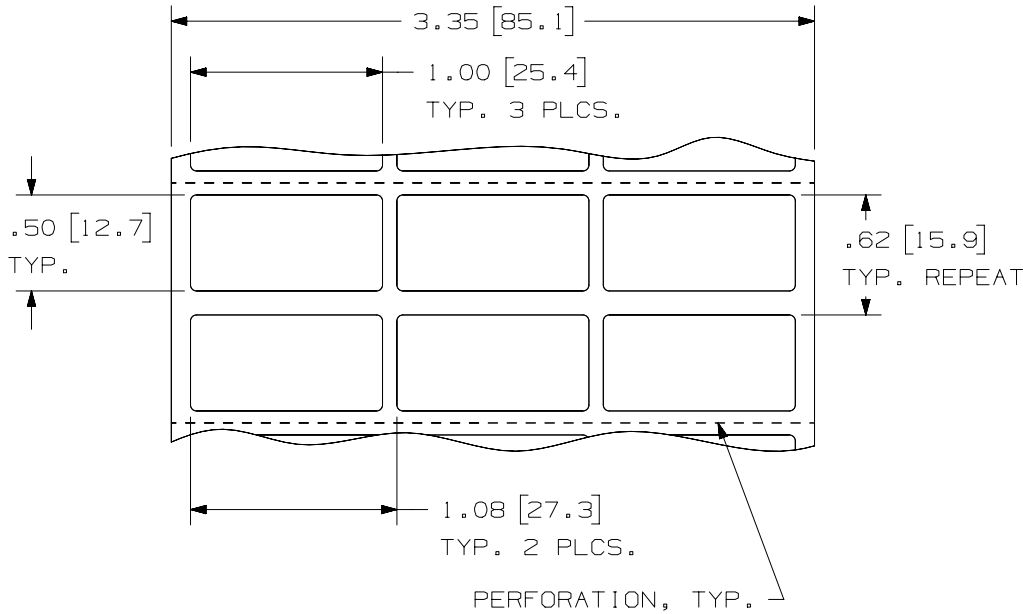


THIS COPY IS PROVIDED ON A RESTRICTED BASIS AND IS NOT TO BE USED IN ANY WAY DETRIMENTAL TO THE INTERESTS OF PANDUIT CORP.

NOTES:

1. DIMENSIONS IN [] ARE IN MILLIMETERS.

PANDUIT PART NO.	MATERIAL	FACE COLOR	PKG. QTY.	THICKNESS	PRODUCT TYPE
C100X050A0T	GMH3-A	BLACK	500	.030 +/- .010	POLYESTER/ FOAM COMPONENT LABEL
C100X050A8T		YELLOW			
C100X050AMT		SILVER			
C100X050APT	GMH3-W	WHITE			
C100X050AST	GMH3-A	GREEN			
C100X050AUT		ORANGE			
C100X050AWT		RED			



REV	DATE	BY	CHK	APR	DESCRIPTION	ECN
4	4/17/15	RVU	SEWH	JHAC	GMH3-A WAS GHMH3.	GAECN02596
3	1/10/13	RVU	DAPE	SEWH	ADD material column and ISO view. Update part numbers sequence list.	GAECN00515
2	5/3/10	RVU	DAPE		TOL. SHOULD BE .12, .062, NOT .1, .050. ADD NEW PN: C100X050AUT.	6348
1	12/18/08	RVU	DAPE		REMOVE "REPEAT" FROM THE LABEL SIZE.	5592
0	9/5/08	RVU	DAPE	PTR	DRAWING RELEASE.	5537

TITLE RAISED PANEL PUSH BUTTON LABELS C100X050A*T CUSTOMER DRAWING	
ITEM REVISION NAME 100491BP/07	PANDUIT TM
DATASET FILE NAME 100491BP_DC_C10729/07E	
UNLESS OTHERWISE SPECIFIED, DIMENSIONAL TOLERANCES ARE: IN [mm] .x ± .12 [3.05] .xxx ± .025 [.635] .xx ± .062 [1.57] ANGLES ±	
DRAWING NUMBER: C10729	
DRAWN BY RVU	DATE 9/5/08
CHK SCWE	SCALE NTS
SHT 1 OF 1	
SIZE A	

D101000DA/12