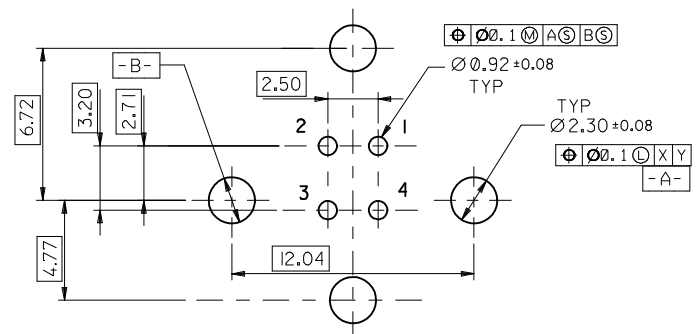
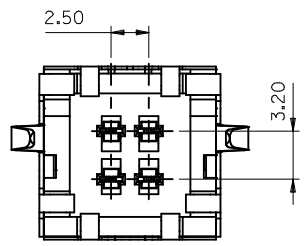
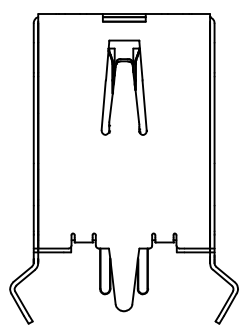
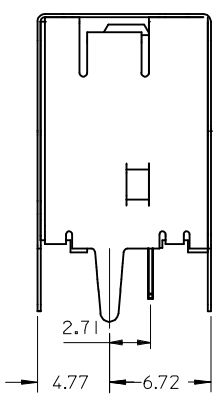
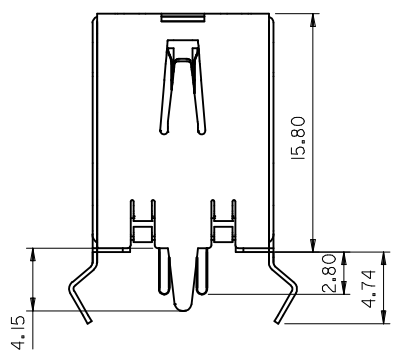


- NOTES :
- MATERIAL :
HOUSING : POLYESTER ,UL94V-0 ,
COLOR:BLACK, OR WHITE
TERMINAL : PHOSPHOR BRONZE (PhBr)
METAL SHELL : COPPER ALLOY
 - PLATING :
TERMINAL :
CONTACT AREA :
(a) GOLD FLASH.
(b) GOLD (Au), THICKNESS=30 MICROINCH /0.76 MICROMETER
SOLDER TAIL : (a) TIN-LEAD (90/10) ALLOY
,THICKNESS=150 MICROINCH/3.8 MICROMETER
(b) PURE TIN PLATING,
,THICKNESS=50 MICROINCH/1.27MICROMETER MINIMUM.
UNDER PLATE : NICKEL (NI)
,THICKNESS=50 MICROINCH / 1.27 MICROMETER
 - METAL SHELL :
(a) TIN-LEAD (Sn-Pb) ALLOY
,THICKNESS=100 MICROINCH /2.54 MICROMETER
(b) PURE TIN PLATING,
,THICKNESS =50 MICROINCH/1.27 MICROMETER MINIMUM.
UNDER PLATE : NICKEL (NI)
,THICKNESS=50 MICROINCH / 1.27 MICROMETER
 - RECOMMENDED PCB THICKNESS : 1.60±0.05mm
 - PRODUCT SPECIFICATION : REFER TO PS-67998-0000



REVISED	EC NO: 2009/09/01	DRWN:YPMU	CHKD:	APPR:	DESCRIPTION	QUALITY SYMBOLS	GENERAL TOLERANCES (UNLESS SPECIFIED)		DIMENSION STYLE		SCALE	DESIGN UNITS	THIRD ANGLE PROJECTION
						▽=0 ∇=0	mm	INCH	MM ONLY	1:1	METRIC		
							4 PLACES	± ---	± ---	DRAWN BY	DATE	TITLE	
							3 PLACES	± ---	± ---	SAM SHIN	1998/12/21	USB B VERTICAL CONN	
							2 PLACES	± 0.25	± ---	CHECKED BY	DATE		
							1 PLACE	± 0.25	± ---	VLIN	1998/12/21		
							ANGULAR ± 3 °		APPROVED BY	DATE	MOLEX INCORPORATED		
							DRAFT WHERE APPLICABLE MUST REMAIN WITHIN DIMENSIONS		NEGA LIN	1998/12/21	DOCUMENT NO.	SHEET NO.	
									MATERIAL NO.		SD-67265-002	1 OF 2	
									SIZE	THIS DRAWING CONTAINS INFORMATION THAT IS PROPRIETARY TO MOLEX INCORPORATED AND SHOULD NOT BE USED WITHOUT WRITTEN PERMISSION			
									A3				

REFER TO PACKING DOC. NO. PK-67265-001 PACKING: TRAY SIZE : 360*360mm (150 PIECES)			SHELL AND SOLDER TAIL PLATING	REFER TO PACKING DOC. NO. PK-67265-001 PACKING: TRAY SIZE : 360*360mm (150 PIECES)			SHELL AND SOLDER TAIL PLATING
P/N	COLOR	CONTACT PLATING		P/N	COLOR	CONTACT PLATING	
67265-0000	BLACK	GOLD FLASH	TIN LEAD PLATING	67265-2000	BLACK	GOLD FLASH	PURE TIN PLATING (lead-free)
67265-0001	BLACK	0.76 MICROMETER/30 MICROINCH GOLD		67265-2001	BLACK	0.76 MICROMETER/30 MICROINCH GOLD	
67265-1000	WHITE	GOLD FLASH		67265-3000	WHITE	GOLD FLASH	
67265-1001	WHITE	0.76 MICROMETER/30 MICROINCH GOLD		67265-3001	WHITE	0.76 MICROMETER/30 MICROINCH GOLD	
REFER TO PACKING DOC. NO. PK-67265-002 PACKING: TRAY SIZE : 360*165mm (150 PIECES)				REFER TO PACKING DOC. NO. PK-67265-002 PACKING: TRAY SIZE : 360*165mm (150 PIECES)			
P/N	COLOR	CONTACT PLATING		P/N	COLOR	CONTACT PLATING	
67265-0200	BLACK	GOLD FLASH		67265-2200	BLACK	GOLD FLASH	
67265-0201	BLACK	0.76 MICROMETER/30 MICROINCH GOLD		67265-2201	BLACK	0.76 MICROMETER/30 MICROINCH GOLD	
67265-1200	WHITE	GOLD FLASH		67265-3200	WHITE	GOLD FLASH	
67265-1201	WHITE	0.76 MICROMETER/30 MICROINCH GOLD		67265-3201	WHITE	0.76 MICROMETER/30 MICROINCH GOLD	
REFER TO PACKING DOC. NO. PK-67265-003 PACKING: TUBE				REFER TO PACKING DOC. NO. PK-67265-003 PACKING: TUBE			
P/N	COLOR	CONTACT PLATING		P/N	COLOR	CONTACT PLATING	
67265-0300	BLACK	GOLD FLASH		67265-2300	BLACK	GOLD FLASH	
67265-0301	BLACK	0.76 MICROMETER/30 MICROINCH GOLD		67265-2301	BLACK	0.76 MICROMETER/30 MICROINCH GOLD	
67265-1300	WHITE	GOLD FLASH		67265-3300	WHITE	GOLD FLASH	
67265-1301	WHITE	0.76 MICROMETER/30 MICROINCH GOLD		67265-3301	WHITE	0.76 MICROMETER/30 MICROINCH GOLD	

REVISED EC NO: SH2010-0079 DRWN: YPWU 2009/09/01 CHKD: 2009/09/02 APPR: RZHANG 2009/10/12	QUALITY SYMBOLS	GENERAL TOLERANCES (UNLESS SPECIFIED) mm INCH 4 PLACES ± --- ± --- 3 PLACES ± --- ± --- 2 PLACES ± 0.25 ± --- 1 PLACE ± 0.25 ± --- ANGULAR ± 3 °	DIMENSION STYLE	SCALE	DESIGN UNITS	THIRD ANGLE PROJECTION
	▼=0 □=0		MM ONLY	1:1	METRIC	
	DESCRIPTION		DRAWN BY	DATE	TITLE	
		SAM SHIN	1998/12/21	USB B VERTICAL CONN		
		CHECKED BY	DATE	MOLEX INCORPORATED		
		VLIN	1998/12/21	SD-67265-002		
		APPROVED BY	DATE	SHEET NO.		
		NEGA LIN	1998/12/21	2 OF 2		
		MATERIAL NO.		SEE TABLE		
				THIS DRAWING CONTAINS INFORMATION THAT IS PROPRIETARY TO MOLEX INCORPORATED AND SHOULD NOT BE USED WITHOUT WRITTEN PERMISSION		