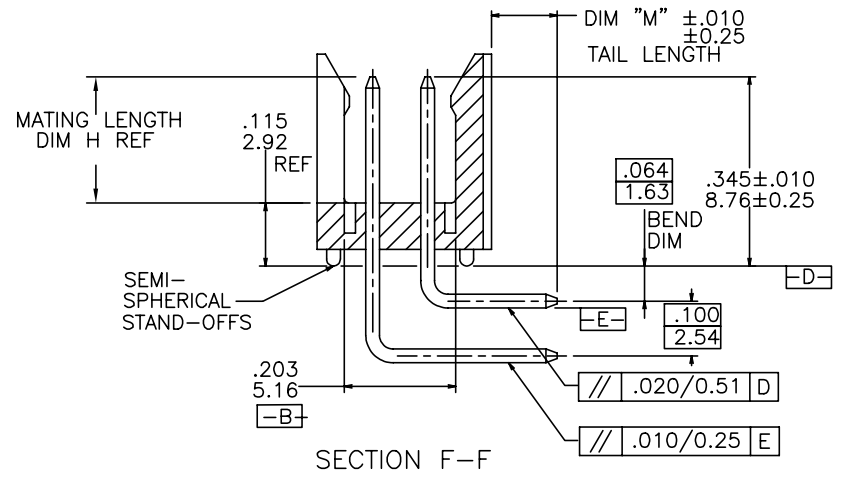
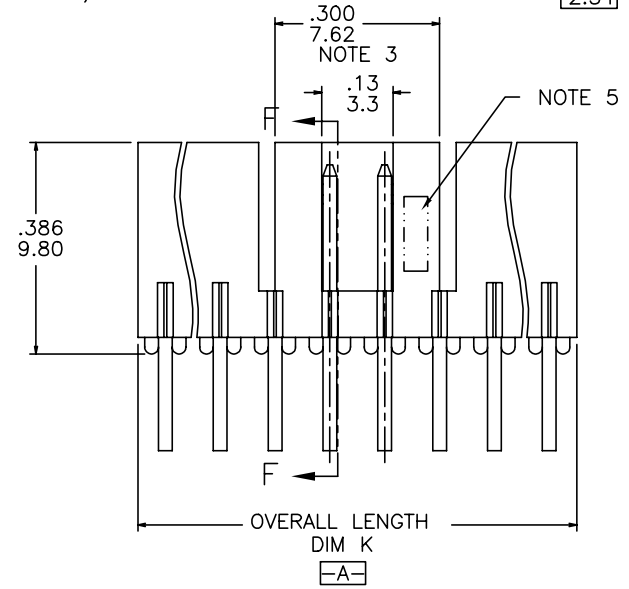
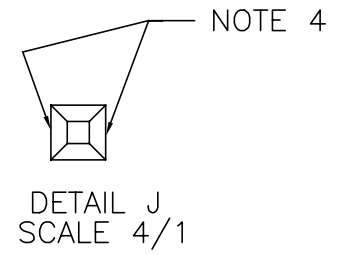
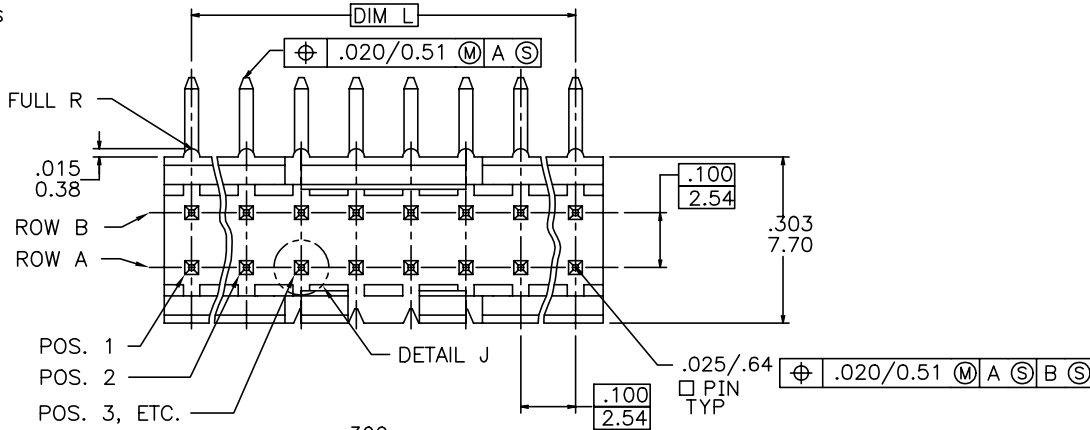


PRODUCT NO.
10126115-XYHLF

LEAD FREE OPTION
NOTE 6, 7, 8

NO. OF POSITIONS
SEE TABLE
PIN PLATING
BASE P/N



mat'l. code		surface ISO 1302 ✓		tolerance ISO 406 ISO 1101		projection INCH/MM		product family HEADER			
l	tr	ec	n	dr	date	tolerances unless otherwise specified		title			
A	NEW	ZK	06/14/13	angles	linear	$XXX \pm .01 / XXX \pm 0.3$	INCH/MM	FRICITION LATCH HEADER DOUBLE ROW, R/A			
				0°±2'		$XXX \pm .005 / XXX \pm 0.13$	scale 3:1	dwg no 10126115 sheet 1 of 2 size A3			
				dr	ZK HU	06/14/13			type Product Customer Drawing		
				engr	ZK HU	06/14/13					
				chr	RICK BIAN	06/14/13					
				appd	RICK BIAN	06/14/13					
sheet index	revision	A	A								
	sheet	1	2								

PRODUCT NUMBER	NO OF POS	MATING LENGTH DIM H	OVERALL LENGTH DIM K	DIM L	TAIL LENGTH DIM "M"
10126115-X06	2 X 3	.230/5.84	.300/7.62	.200/5.08	.120/3.05
↑ -X08	2 X 4	.230/5.84	.400/10.16	.300/7.62	↑
-X10	2 X 5	.230/5.84	.500/12.70	.400/10.16	
-X12	2 X 6	.230/5.84	.600/15.24	.500/12.70	
-X14	2 X 7	.230/5.84	.700/17.78	.600/15.24	
-X16	2 X 8	.230/5.84	.800/20.32	.700/17.78	
-X18	2 X 9	.230/5.84	.900/22.86	.800/20.32	
-X20	2 X 10	.230/5.84	1.000/25.40	.900/22.86	
-X22	2 X 11	.230/5.84	1.100/27.94	1.000/25.40	
-X24	2 X 12	.230/5.84	1.200/30.48	1.100/27.94	
-X26	2 X 13	.230/5.84	1.300/33.02	1.200/30.48	
↓ -X28	2 X 14	.230/5.84	1.400/35.56	1.300/33.02	↓
10126115-X30	2 X 15	.230/5.84	1.500/38.10	1.400/35.56	.120/3.05

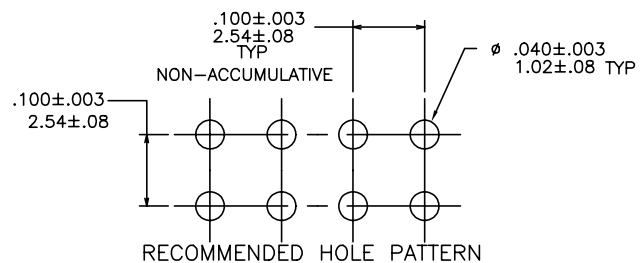
NOTES:

- MOLDING MAT'L: GLASS REINFORCED PCT OR MINERAL FILLED LCP, COLOR: BLACK
FLAME RETARDANT PER UL 94 V-0
MAXIMUM OPERATING TEMPERATURE: 130° C.
- PIN MATERIAL: 3/4 HD PHOS. BRZ.
- NO SLOTS ON 2 X 5 POSITION OR SMALLER PRODUCT. THE CENTER KEY SLOT WILL BE ON ALL HEADERS REGARDLESS OF SIZE.
- TWO NON-CRITICAL SIDES OF PIN TIP NOT PLATED, BOTH ENDS.
- COMPANY LOGO MAY APPEAR IN THIS AREA.
- ADD "HLF" SUFFIX AT THE END OF PART NUMBER FOR LEAD FREE OPTION.
- PART NUMBERS WITH "H" SUFFIX WILL WITHSTAND EXPOSURE TO 260°C PEAK TEMPERATURE FOR 20 SECONDS IN WAVE SOLDER, INFRA-RED OR VAPOR PHASE SOLDER PROCESS.

PART NUMBERS WITHOUT "H" SUFFIX WILL WITHSTAND EXPOSURE TO 260°C PEAK TEMPERATURE FOR WAVE SOLDER PROCESS.
- THIS PRODUCT MEETS EUROPEAN UNION DIRECTIVES AND OTHER COUNTRY REGULATION AS DESCRIBED IN GS-22-008.

PIN PLATING CODES

-1YY	30u"/.76u Au MIN. ON 50u"/1.27u Ni
-2YY	15u"/.38u Au MIN. ON 50u"/1.27u Ni



mat'l. code		surface ISD 1302 ✓		tolerance ISD 406 ISD 1101		projection ①		product family HEADER	
ltr ecn nldr date		tolerances unless otherwise specified		INCH/MM		title FRICTION LATCH HEADER DOUBLE ROW, R/A		dwg no 10126115	
A		angles 0°±2'		linear XXX±.01/XXX±.03 XXX±.005/XXX±.013 XXX±.0020/XXX±.005		scale 3:1		sheet 2 of 2 size A3	
		dr ZK HU 06/14/13		engr ZK HU 06/14/13		FCJ		type Product Customer Drawing	
		chr RICK BIAN 06/14/13		appd RICK BIAN 06/14/13					
sheet index		revision sheet							