

M40-600/620 Connectors Specification

❖ A range of double row 1.00mm pitch SMT male and female connectors for board-to-board stacking.

❖ Materials

Housings:	High Temp Thermoplastic, UL94V-0
Contacts:	Phosphor Bronze
Finish:	Tin

❖ Electrical

Current:	0.5A per contact
Working voltage:	150V AC
Voltage proof:	250V AC
Contact resistance:	50mΩ max
Insulation resistance:	500MΩ min

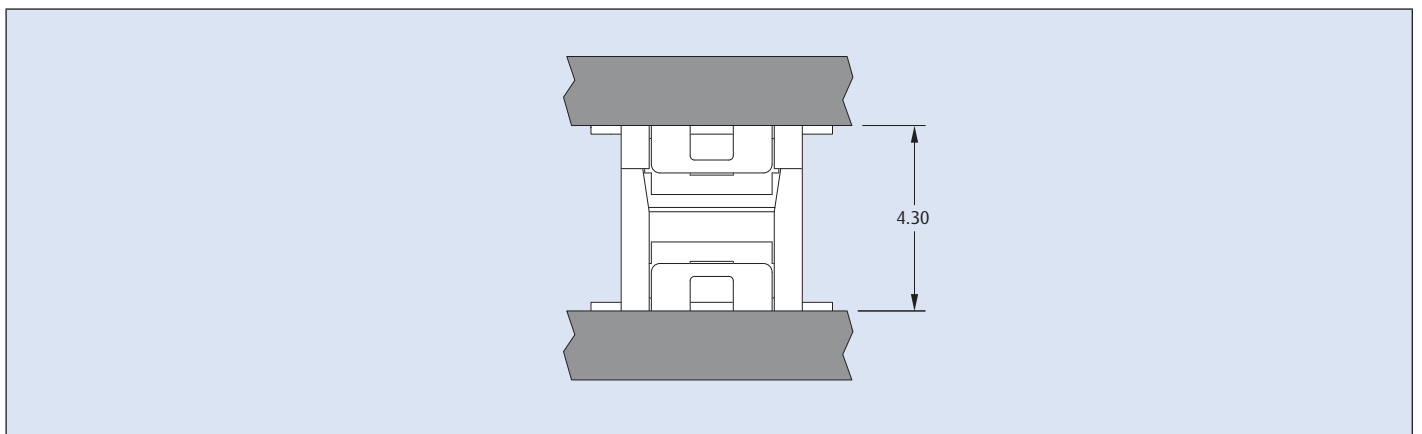
❖ Mechanical

Durability:	30 operations
Insertion force (max):	2.7N per contact
Withdrawal force (min):	0.4N per contact

❖ Environmental

Operating temperature:	-20°C to +125°C
Solderability:	210°C for 5 seconds
Soldering heat resistance:	260°C for 10 seconds

Mating Profile



All dimensions in mm.