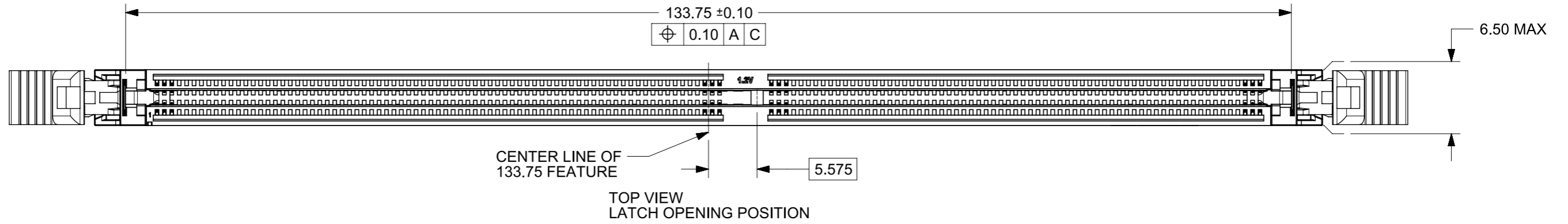


NOTES:

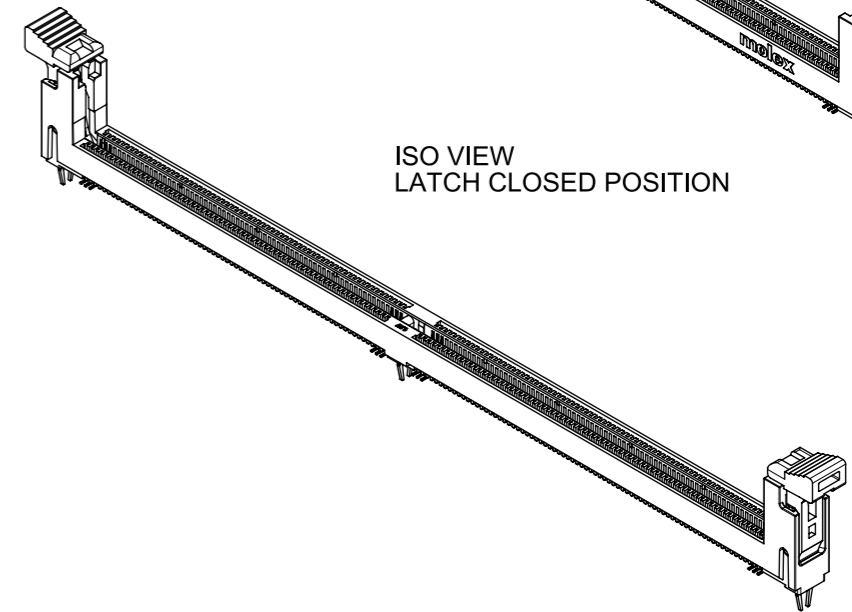
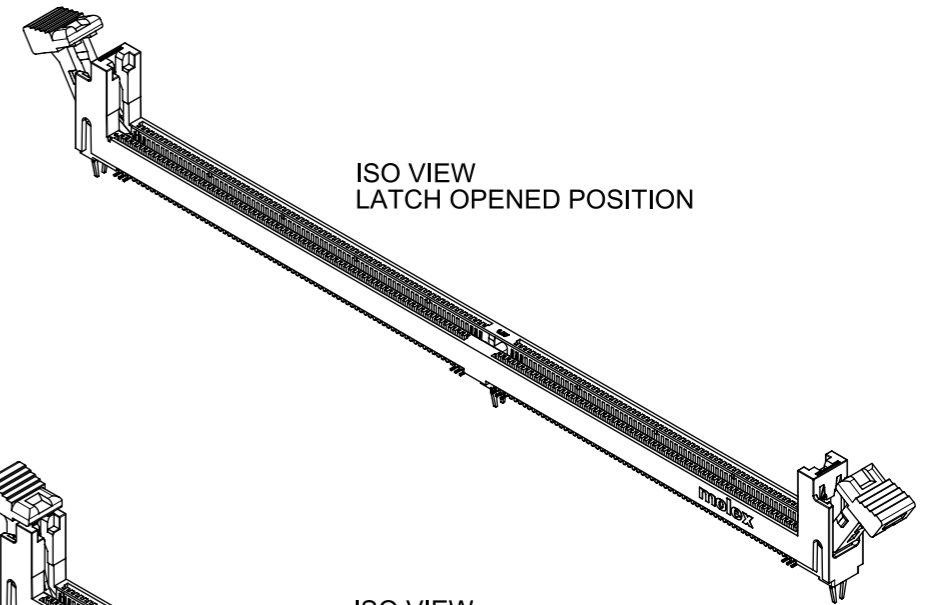
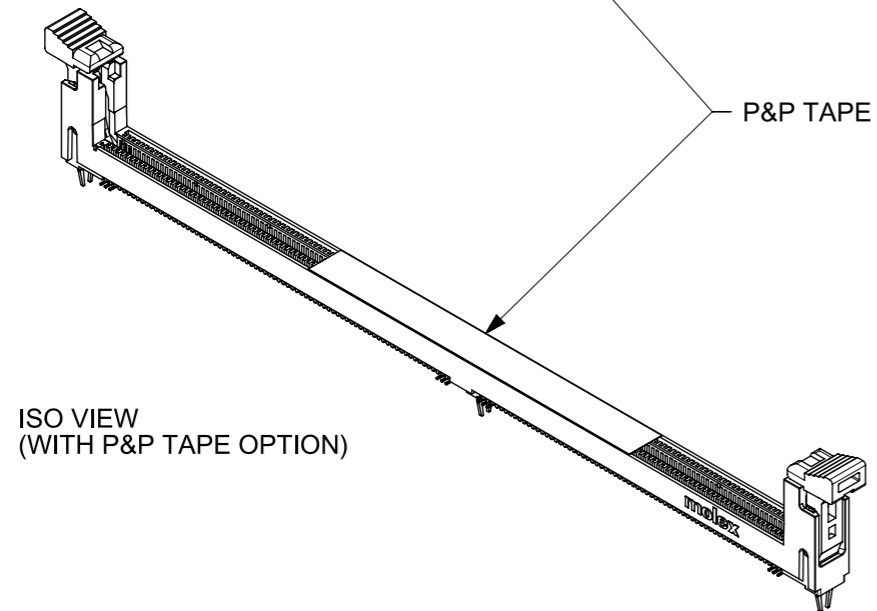
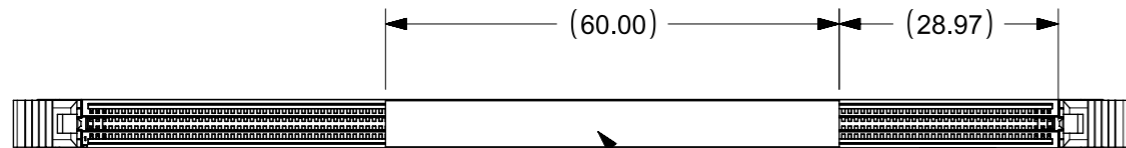
1. MATERIAL : HOUSING - HALOGEN FREE HIGH TEMP POLYAMIDE, GLASS FILLED, UL94V-0.
COLOUR : SEE TABLE ON SHEET 5.
LATCH - HALOGEN FREE HIGH TEMP POLYAMIDE, GLASS FILLED, UL94V-0.
COLOUR : SEE TABLE ON SHEET 5.
TERMINAL : COPPER ALLOY.
FORKLOCK: COPPER ALLOY.
2. FINISHES - SEE TABLE ON SHEET 5.
3. PRODUCT SPECIFICATION : SEE TABLE ON SHEET 5.
4. PACKAGING SPECIFICATION: PRODUCT SHALL BE PACKED IN TRAY, SEE SHEET 5
5. CARD SLOT ACCEPTS 1.40±0.10MM MODULE THICKNESS (MEASURED OVER P.C. PADS).
6. MOLEX LOGO, DATE & PART NO. INDICATED ON HOUSING.
7. MODULE SEATING PLANE.
8. KEEP OUT ZONE RESERVED FOR LATCH.
9. KEEP OUT AREA IS THE AREA WHERE THE CONNECTOR (INCLUDES LATCHES IN OPENING POSITION) IS MOUNTED ON THE PCB.
10. REFER TO AS-78730-001 FOR CONNECTOR APPLICATION GUIDELINE.
11. REFER TO AS-78730-002 FOR PCB ROUTING RECOMMENDATIONS.

SYMBOLS		THIS DRAWING CONTAINS INFORMATION THAT IS PROPRIETARY TO MOLEX ELECTRONIC TECHNOLOGIES, LLC AND SHOULD NOT BE USED WITHOUT WRITTEN PERMISSION		CURRENT REV DESC: ADD NEW PN		molex		
▽ = 0	MM	NTS						
▽ = 0	GENERAL TOLERANCES (UNLESS SPECIFIED)		EC NO: 174465			DDR4 DIMM, 0.85MM PITCH		
▽ = 0	ANGULAR TOL ± 3.0°		DRWN: CCV 2018/03/06			288 CKTS, VERT SMT		
▽ = 0	4 PLACES ±		CHK'D: SHLENI 2018/09/10			PRODUCT CUSTOMER DRAWING		
▽ = 0	3 PLACES ±		APPR: SHLENI 2018/09/10			DOCUMENT NUMBER		
▽ = 0	2 PLACES ± 0.2		INITIAL REVISION:			SD-78730-002		
▽ = 0	1 PLACE ±		DRWN: EKSOH 2016/03/08			DOC TYPE		
▽ = 0	0 PLACES ±		APPR: SHLENI 2012/05/09			PSD		
■ = 0	DRAFT WHERE APPLICABLE MUST REMAIN WITHIN DIMENSIONS		THIRD ANGLE PROJECTION		SERIES		REVISION	
▽ = 0			DRAWING		MATERIAL NUMBER		CUSTOMER	
			A3-SIZE		78730		GENERAL MARKET	
DOCUMENT STATUS			P1		RELEASE DATE		2018/09/10 02:41:39	
							SHEET NUMBER	
							1 OF 5	

9 8 7 6 5 4 3 2 1

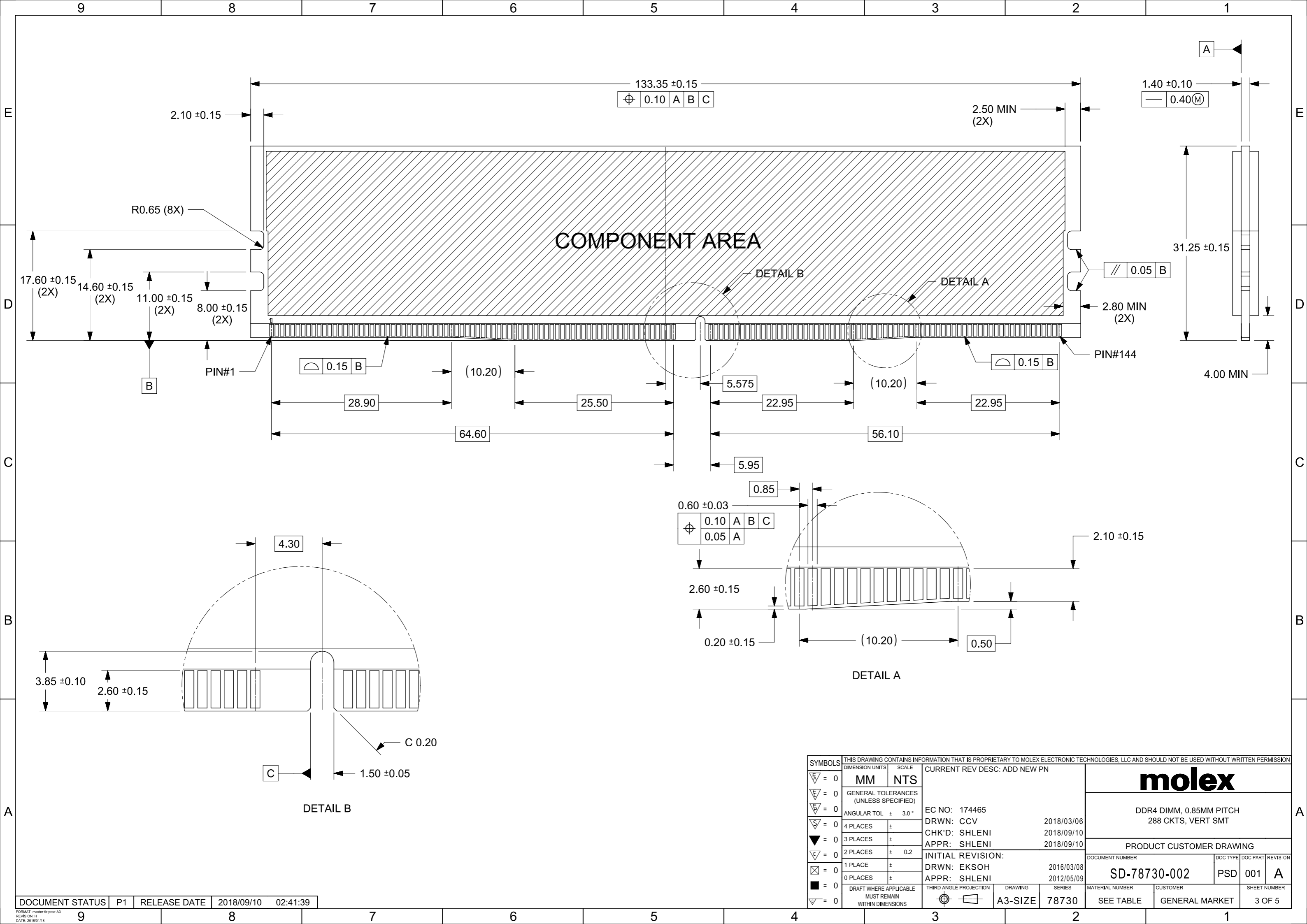


VIEWS WITH P&P TAPE OPTION



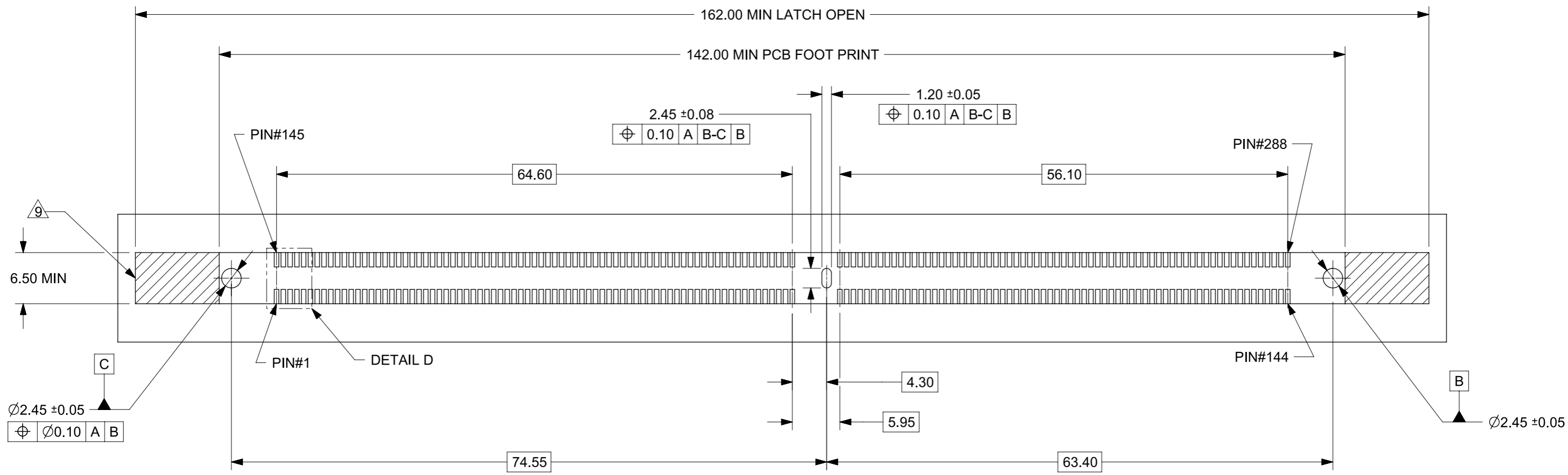
SYMBOLS	THIS DRAWING CONTAINS INFORMATION THAT IS PROPRIETARY TO MOLEX ELECTRONIC TECHNOLOGIES, LLC AND SHOULD NOT BE USED WITHOUT WRITTEN PERMISSION		CURRENT REV DESC: ADD NEW PN		molex			
	▽ = 0	MM	SCALE	NTS				
▽ = 0	GENERAL TOLERANCES (UNLESS SPECIFIED)		EC NO: 174465		DDR4 DIMM, 0.85MM PITCH			
▽ = 0	ANGULAR TOL ± 3.0°		DRWN: CCV 2018/03/06		288 CKTS, VERT SMT			
▽ = 0	4 PLACES ±	CHK'D: SHLENI 2018/09/10		PRODUCT CUSTOMER DRAWING				
▽ = 0	3 PLACES ±	APPR: SHLENI 2018/09/10						
▽ = 0	2 PLACES ± 0.2	INITIAL REVISION:		DOCUMENT NUMBER		DOC TYPE	DOC PART	REVISION
▽ = 0	1 PLACE ±	DRWN: EKSOH 2016/03/08		SD-78730-002		PSD	001	A
▽ = 0	0 PLACES ±	APPR: SHLENI 2012/05/09		MATERIAL NUMBER		CUSTOMER	SHEET NUMBER	
■ = 0	DRAFT WHERE APPLICABLE MUST REMAIN WITHIN DIMENSIONS		THIRD ANGLE PROJECTION	DRAWING	SERIES	SEE TABLE	GENERAL MARKET	2 OF 5
▽ = 0			⊕ ⊖	A3-SIZE	78730			

9 8 7 6 5 4 3 2 1

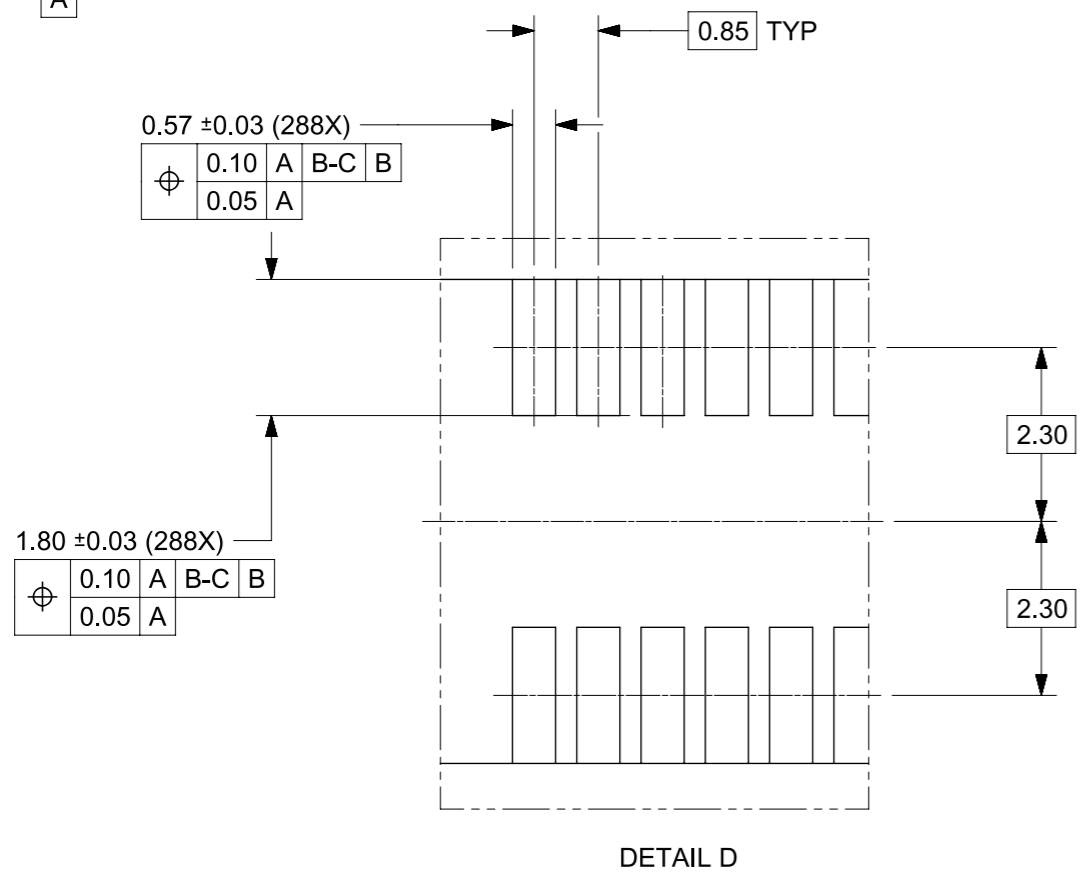


SYMBOLS		THIS DRAWING CONTAINS INFORMATION THAT IS PROPRIETARY TO MOLEX ELECTRONIC TECHNOLOGIES, LLC AND SHOULD NOT BE USED WITHOUT WRITTEN PERMISSION		CURRENT REV DESC: ADD NEW PN		molex	
$\nabla = 0$	MM	NTS	EC NO: 174465		2018/03/06		
$\nabla = 0$	GENERAL TOLERANCES (UNLESS SPECIFIED)		DRWN: CCV		2018/09/10		DDR4 DIMM, 0.85MM PITCH 288 CKTS, VERT SMT
$\nabla = 0$	ANGULAR TOL $\pm 3.0^\circ$		CHK'D: SHLENI		2018/09/10		
$\nabla = 0$	4 PLACES \pm		APPR: SHLENI		2018/09/10		PRODUCT CUSTOMER DRAWING
$\nabla = 0$	3 PLACES \pm		INITIAL REVISION:		DOCUMENT NUMBER		DOC TYPE
$\nabla = 0$	2 PLACES ± 0.2		DRWN: EKSOH		SD-78730-002		DOC PART
$\nabla = 0$	1 PLACE \pm		APPR: SHLENI		2016/03/08		REVISION
$\nabla = 0$	0 PLACES \pm		THIRD ANGLE PROJECTION		2012/05/09		A
$\nabla = 0$	DRAFT WHERE APPLICABLE MUST REMAIN WITHIN DIMENSIONS		DRAWING		SERIES		MATERIAL NUMBER
			A3-SIZE		78730		CUSTOMER
							SEE TABLE
							GENERAL MARKET
							SHEET NUMBER
							3 OF 5

DOCUMENT STATUS	P1	RELEASE DATE	2018/09/10	02:41:39
-----------------	----	--------------	------------	----------


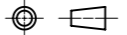


RECOMMENDED PCB THICKNESS: 1.57MM TO 3.18MM



SYMBOLS	THIS DRAWING CONTAINS INFORMATION THAT IS PROPRIETARY TO MOLEX ELECTRONIC TECHNOLOGIES, LLC AND SHOULD NOT BE USED WITHOUT WRITTEN PERMISSION		CURRENT REV DESC: ADD NEW PN					
	DIMENSION UNITS	SCALE						
▽ = 0	MM	NTS	GENERAL TOLERANCES (UNLESS SPECIFIED)			PRODUCT CUSTOMER DRAWING		
▽ = 0	ANGULAR TOL ± 3.0°		DRWN: CCV	2018/09/10	DOCUMENT NUMBER			
▽ = 0	4 PLACES ±		CHK'D: SHLENI	2018/09/10	SD-78730-002			DOC TYPE
▽ = 0	3 PLACES ±		APPR: SHLENI	2018/09/10	PSD		DOC PART	
▽ = 0	2 PLACES ±	0.2	INITIAL REVISION:		001		REVISION	
▽ = 0	1 PLACE ±		DRWN: EKSOH	2016/03/08	A			
▽ = 0	0 PLACES ±		APPR: SHLENI	2012/05/09				
■ = 0	DRAFT WHERE APPLICABLE MUST REMAIN WITHIN DIMENSIONS		THIRD ANGLE PROJECTION	DRAWING	SERIES	MATERIAL NUMBER	CUSTOMER	SHEET NUMBER
▽ = 0				A3-SIZE	78730	SEE TABLE	GENERAL MARKET	4 OF 5

CKT SIZE	ASSEMBLY PART NO.	HOUSING COLOUR	LATCH COLOUR	P&P OPTION	PLATING OPTION		PRODUCT SPEC. NO.	PACKAGING SPEC. NO.			
					TERMINAL	FORKLOCK					
288	78730-1002	BLACK	BLACK	NO	0.76 MICROMETER (30 MICROINCH) MIN GOLD ON CONTACT 2.54 MICROMETER (100 MICROINCH) MIN TIN ON SOLDER TAILS 1.27 MICROMETER (50 MICROINCH) MIN NICKEL UNDERPLATE	1.0 MICROMETER (40 MICROINCH) MIN TIN OVERALL (PRE-PLATED)	PS-78730-001	PK-78730-001			
	78730-1003	BLACK	OFF-WHITE								
	78730-1004	OFF-WHITE	BLACK								
	78730-1005	OFF-WHITE	OFF-WHITE								
	78730-1006	BLUE	BLUE								
	78730-1008	BLUE	OFF-WHITE								
	78730-1007	BLACK	BLUE								
	78730-2002	BLACK	BLACK	YES			0.38 MICROMETER (15 MICROINCH) MIN GOLD ON CONTACT 2.54 MICROMETER (100 MICROINCH) MIN TIN ON SOLDER TAILS 1.27 MICROMETER (50 MICROINCH) MIN NICKEL UNDERPLATE		1.0 MICROMETER (40 MICROINCH) MIN TIN OVERALL (PRE-PLATED)	PS-78730-002	PK-78730-001
	78730-2003	BLACK	OFF-WHITE								
	78730-2004	OFF-WHITE	BLACK								
	78730-2005	OFF-WHITE	OFF-WHITE								
	78730-2006	BLUE	BLUE								
	78730-2008	BLUE	OFF-WHITE								
	78730-2007	BLACK	BLUE								
	78730-1152	BLACK	BLACK	NO	0.38 MICROMETER (15 MICROINCH) MIN GOLD ON CONTACT 2.54 MICROMETER (100 MICROINCH) MIN TIN ON SOLDER TAILS 1.27 MICROMETER (50 MICROINCH) MIN NICKEL UNDERPLATE	1.0 MICROMETER (40 MICROINCH) MIN TIN OVERALL (PRE-PLATED)		PS-78730-002		PK-78730-001	
	78730-1153	BLACK	OFF-WHITE								
	78730-1154	OFF-WHITE	BLACK								
	78730-1155	OFF-WHITE	OFF-WHITE								
	78730-1156	BLUE	BLUE								
	78730-1158	BLUE	OFF-WHITE								
	78730-1157	BLACK	BLUE								
	78730-2152	BLACK	BLACK	YES			0.38 MICROMETER (15 MICROINCH) MIN GOLD ON CONTACT 2.54 MICROMETER (100 MICROINCH) MIN TIN ON SOLDER TAILS 1.27 MICROMETER (50 MICROINCH) MIN NICKEL UNDERPLATE	1.0 MICROMETER (40 MICROINCH) MIN TIN OVERALL (PRE-PLATED)	PS-78730-002		PK-78730-001
	78730-2153	BLACK	OFF-WHITE								
	78730-2154	OFF-WHITE	BLACK								
	78730-2155	OFF-WHITE	OFF-WHITE								
	78730-2156	BLUE	BLUE								
	78730-2158	BLUE	OFF-WHITE								
	78730-2157	BLACK	BLUE								

SYMBOLS										THIS DRAWING CONTAINS INFORMATION THAT IS PROPRIETARY TO MOLEX ELECTRONIC TECHNOLOGIES, LLC AND SHOULD NOT BE USED WITHOUT WRITTEN PERMISSION											
DIMENSION UNITS		SCALE		CURRENT REV DESC: ADD NEW PN										 DDR4 DIMM, 0.85MM PITCH 288 CKTS, VERT SMT							
MM		NTS		GENERAL TOLERANCES (UNLESS SPECIFIED)																	
ANGULAR TOL		± 3.0 °		EC NO: 174465										DRWN: CCV 2018/03/06 CHK'D: SHLENI 2018/09/10 APPR: SHLENI 2018/09/10							
4 PLACES		±		INITIAL REVISION:																	
3 PLACES		±		DRWN: EKSOH 2016/03/08										DOCUMENT NUMBER SD-78730-002							
2 PLACES		± 0.2		APPR: SHLENI 2012/05/09																	
1 PLACE		±		DRAFT WHERE APPLICABLE MUST REMAIN WITHIN DIMENSIONS										PSD		001		A			
0 PLACES		±		THIRD ANGLE PROJECTION		DRAWING		SERIES		MATERIAL NUMBER		CUSTOMER		SHEET NUMBER							
☐ = 0						A3-SIZE		78730		SEE TABLE		GENERAL MARKET		5 OF 5							