



Cable Assemblies > Copper Cable Assemblies > M8/M12 Cable Assemblies > M12 A-Code Male Straight Pigtail



M8/M12 Application Type: **Sensor/Actuator**

Number of Positions: **5**

Connector & Keying Code: **A**

Connector Type (End A): **M12 Socket**

Cable Assembly Type: **M12 Pigtail**

[All M12 A-Code Male Straight Pigtail \(8\)](#)

## Features

### Product Type Features

Connector Type (End A)	M12 Socket
Cable Assembly Type	M12 Pigtail

### Configuration Features

Number of Positions	5
---------------------	---

### Electrical Characteristics

Operating Voltage	125 VAC
-------------------	---------

### Body Features

Cable Color	Black
Connector Color (End A)	Black
Jacket Material	PVC
Wire Color (Base)	Brown, White, Blue, Black, Green/Yellow
Connector & Keying Code	A

### Contact Features

Contact Current Rating (Max)	4 A
------------------------------	-----

### Mechanical Attachment

Thread Size	M12
Connector Orientation (End A)	Straight



### Housing Features

Housing Material	Plastic
------------------	---------

### Dimensions

Outside Cable Diameter	5.2 mm [.204 in]
Wire Size	.326 mm <sup>2</sup>

### Usage Conditions

Operating Temperature Range	-30 – 80 °C [-22 – 176 °F]
-----------------------------	----------------------------

### Operation/Application

M8/M12 Application Type	Sensor/Actuator
Shielded	No

### Packaging Features

Packaging Quantity	25
Packaging Method	Box

### Other

Field Serviceable	Yes
Cable Assembly Length	1.5 m
Cable Assembly Configuration	Single Ended

### Product Compliance

[For compliance documentation, visit the product page on TE.com>](#)

EU RoHS Directive 2011/65/EU	Compliant
EU ELV Directive 2000/53/EC	Compliant
China RoHS 2 Directive MIIT Order No 32, 2016	No Restricted Materials Above Threshold
EU REACH Regulation (EC) No. 1907/2006	Current ECHA Candidate List: JUNE 2023 (235) Candidate List Declared Against: JAN 2022 (223) Does not contain REACH SVHC
Halogen Content	Low Halogen - Br, Cl, F, I < 900 ppm per homogenous material. Also BFR/CFR/PVC Free
Solder Process Capability	Not applicable for solder process capability

Product Compliance Disclaimer

This information is provided based on reasonable inquiry of our suppliers and represents our current actual knowledge based on the information they provided. This information is subject to change. The part numbers that TE has identified as EU RoHS compliant have a maximum concentration of 0.1% by weight in homogenous materials for lead, hexavalent chromium, mercury, PBB, PBDE, DBP, BBP, DEHP, DIBP, and 0.01% for cadmium, or qualify for an exemption to these limits as defined in the Annexes of Directive 2011/65/EU (RoHS2). Finished electrical and electronic equipment products will be CE marked as required by Directive 2011/65/EU. Components may not be CE marked. Additionally, the part numbers that TE has identified as EU ELV compliant have a maximum concentration of 0.1% by weight in homogenous materials for lead, hexavalent chromium, and mercury, and 0.01% for cadmium, or qualify for an exemption to these limits as defined in the Annexes of Directive 2000/53/EC (ELV). Regarding the REACH Regulation, the information TE provides on SVHC in articles for this part number is based on the latest European Chemicals Agency (ECHA) 'Guidance on requirements for substances in articles' posted at this URL: <https://echa.europa.eu/guidance-documents/guidance-on-reach>

## Compatible Parts

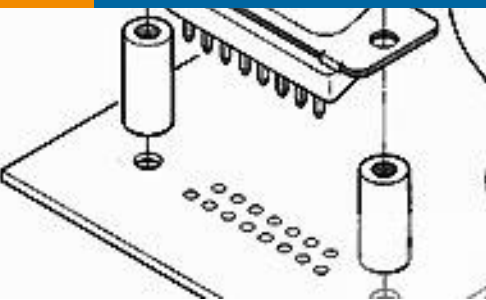


TE Part # 2273035-2  
M12 x 1.0 straight socket pigtail A

## Customers Also Bought



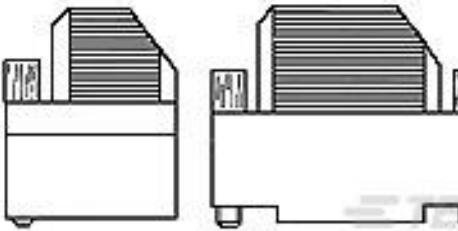
TE Part #DRC26-40SA-L011  
PLG, 40P, BLK, N, ROUTER CAP, A



TE Part #5205933-3  
BUSHING KIT



TE Part #60279-2  
250 FASTON REC 18-14 AWG TPBR



TE Part #5-1393738-9  
V42254A6004G109=SUB D GEHAEUSE



TE Part #G-MRCO-016  
KMT 32B TDFN ROHS



TE Part #2273035-1  
M12 x 1.0 straight socket pigtail A



TE Part #710030-1  
XCT 16-5



TE Part #1379100-2  
COV+LEV MQS 18W 0DEG WHI



## Documents

### Product Drawings

#### M12 x 1.0 straight plug pigt A

English

### CAD Files

#### 3D PDF

3D

#### Customer View Model

[ENG\\_CVM\\_CVM\\_1-2273034-1\\_A.2d\\_dxf.zip](#)

English

#### Customer View Model

[ENG\\_CVM\\_CVM\\_1-2273034-1\\_A.3d\\_igs.zip](#)

English

#### Customer View Model

[ENG\\_CVM\\_CVM\\_1-2273034-1\\_A.3d\\_stp.zip](#)

English

By downloading the CAD file I accept and agree to the [Terms and Conditions](#) of use.

### Datasheets & Catalog Pages

#### M8 / M12 Connector System Catalog

English

#### M8 / M12 Connector System Catalog

Japanese

#### CONNECTIVITY SOLUTIONS FOR INFOTAINMENT APPLICATIONS

English

### Product Specifications

#### Application Specification

English