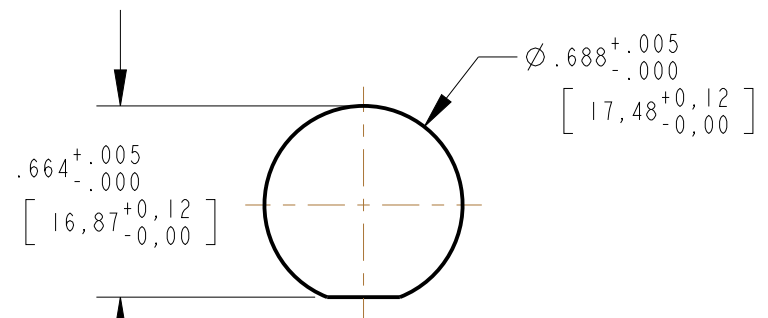
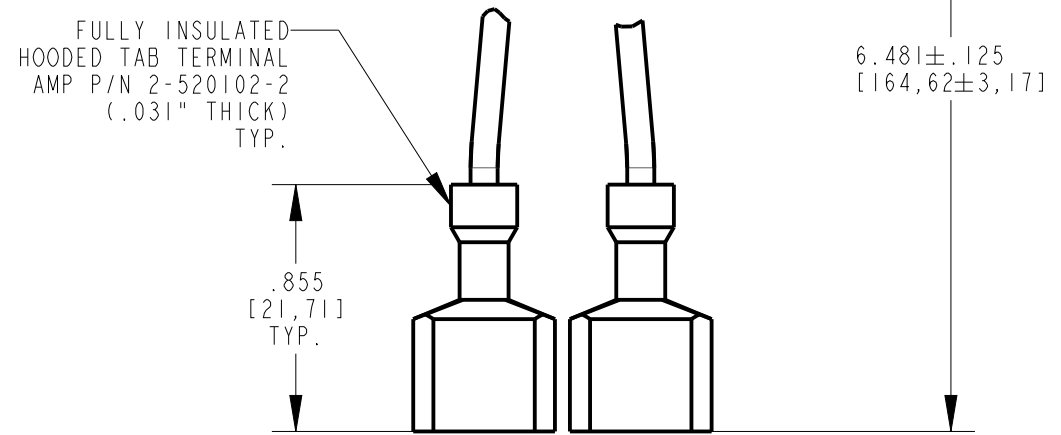
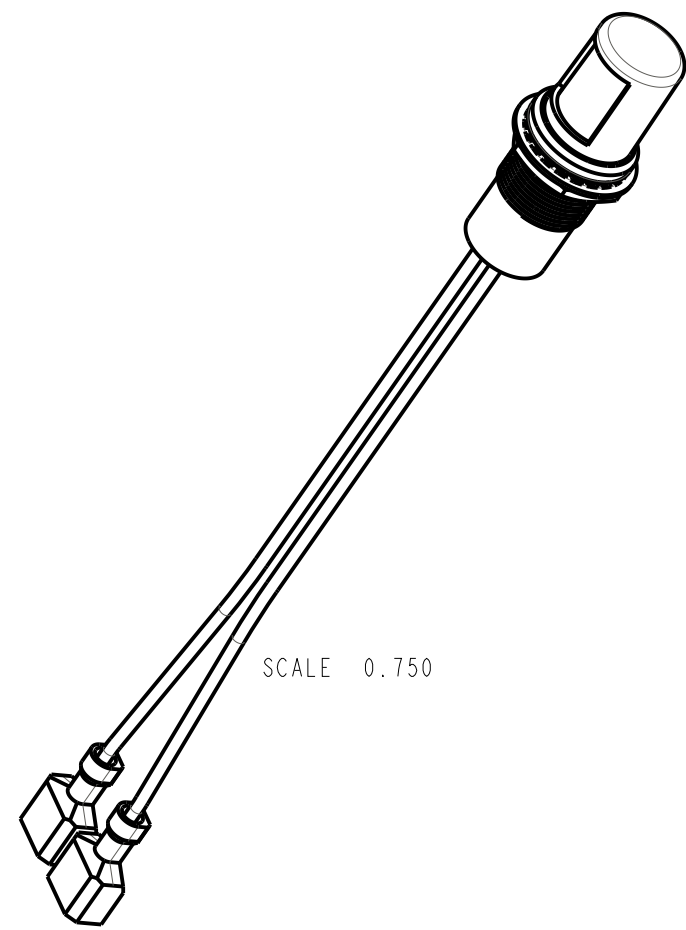
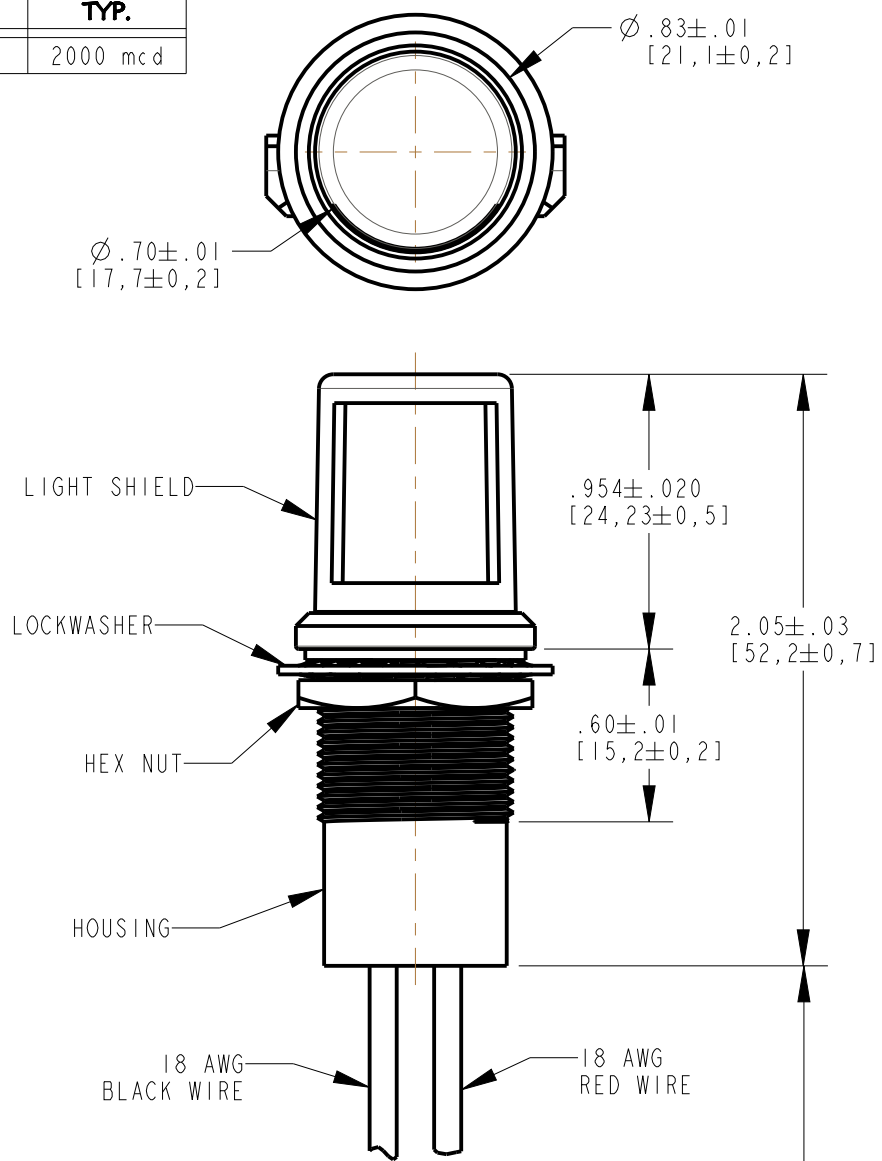


COLOR	VOLTAGE	FORWARD CURRENT	INTENSITY
		TYP.	TYP.
COOL WHITE	12-32 VDC	24 mA	2000 mcd

RoHS COMPLIANT 657-3009-802F
 Part Numbers with the "F" suffix ending are RoHS Compliant.
 Packaging is marked with "RoHS Compliant" label or equivalent markings.

REV	ECN NO	REVISIONS	DRN	CKD	APP	DATE
A	---	NEW RELEASE	AJF	KLJ	CJC	3-21-11
B	---	6.481±.125 WAS "6.410±.125"; ADDED HOODED TERMINALS.	AJF	KLJ	CJC	6-8-11
C	---	REVISED NOTE 2, HARDWARE WAS PACKAGED SEPERATELY	AJF	KLJ	CJC	8-29-11



- NOTES:
1. DIALIGHT PART NUMBER: 657-3009-802F.
 2. HARDWARE INCLUDED.
 3. MAXIMUM PANEL THICKNESS: .350".
 4. MINIMUM ϕ TO ϕ SPACING: 1.0".
 5. OPERATING TEMPERATURE: -35°C TO +65°C.
 6. STORAGE TEMPERATURE: -40°C TO +100°C.
 7. HORIZONTAL VIEWING ANGLE: 100°.
 8. VERTICAL VIEWING ANGLE: 80°.
 9. IP67 / NEMA 4X RATED.

THIS DRAWING AND THE CONTENTS HEREIN ARE CONFIDENTIAL AND THE SOLE PROPERTY OF DIALIGHT. REPRODUCTION OF THIS DRAWING OR CONSTRUCTION OF ANY PARTS WITHIN THIS DRAWING ARE FORBIDDEN WITHOUT THE WRITTEN CONSENT OF DIALIGHT.		
SCALE: 1.500 ALL DIM'S IN: INCHES (MM)	DRAWING NUMBER C-17910	REV C
TOLERANCES: UNLESS OTHERWISE SPECIFIED FRACTIONS: ±1/64 DECIMALS (.XX): ±.02 DECIMALS (.XXX): ±.015	TITLE 11/16" RIGHT ANGLE LED PMI W/ TAB TERMINALS	
ANGLES: ±1° FINISH:	MATERIAL	
FSCM 83330	1501 ROUTE 34 SOUTH FARMINGDALE, NJ 07727	
SHEET 1 OF 1		FAMILY TABLE: