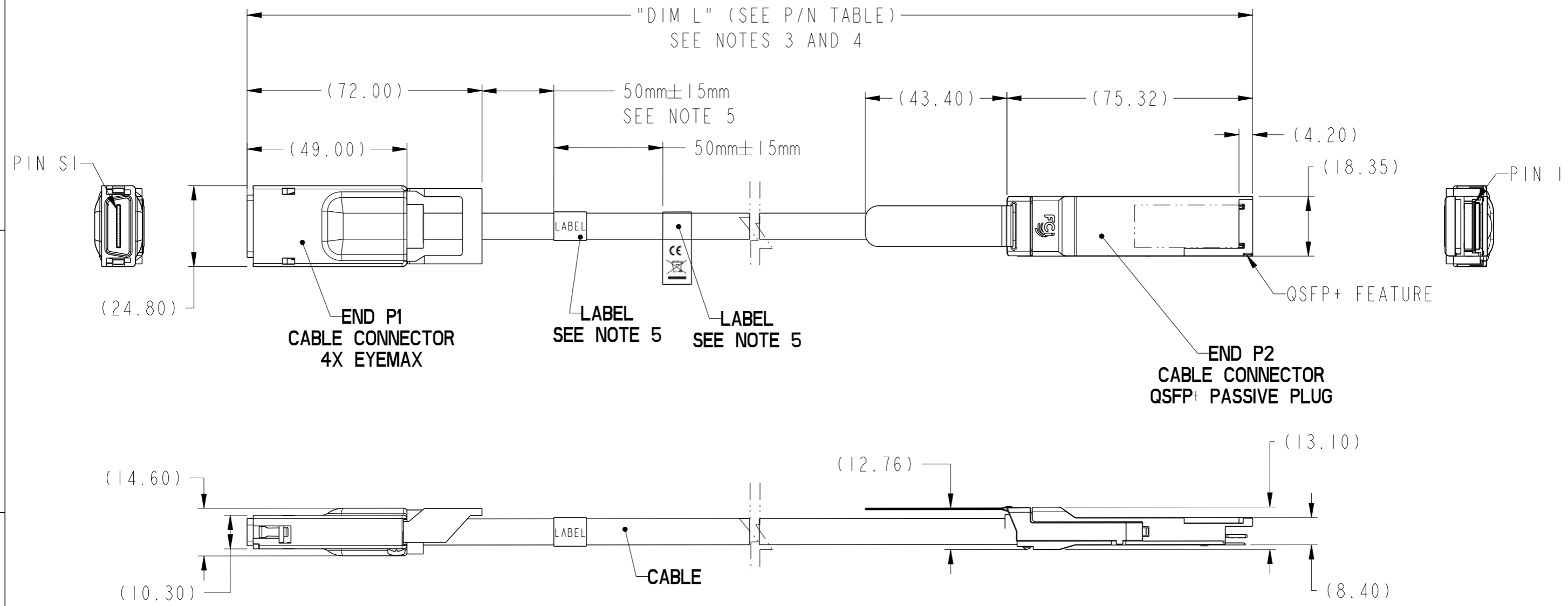


| PART NUMBER | "DIM L" LENGTH (Meters) | AWG |
|------------------|-------------------------|-----|
| 10117984-1010HLF | 1.0 | 32 |
| 10117984-2010HLF | 1.0 | 30 |
| 10117984-2030HLF | 3.0 | 30 |
| 10117984-4010HLF | 1.0 | 26 |
| 10117984-4020HLF | 2.0 | 26 |
| 10117984-4030HLF | 3.0 | 26 |
| 10117984-4050HLF | 5.0 | 26 |
| 10117984-4060HLF | 6.0 | 26 |
| 10117984-5100HLF | 10.0 | 24 |

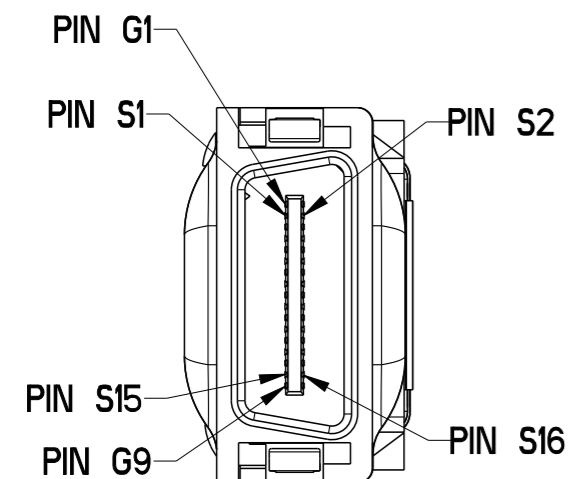


Copyright FCI.

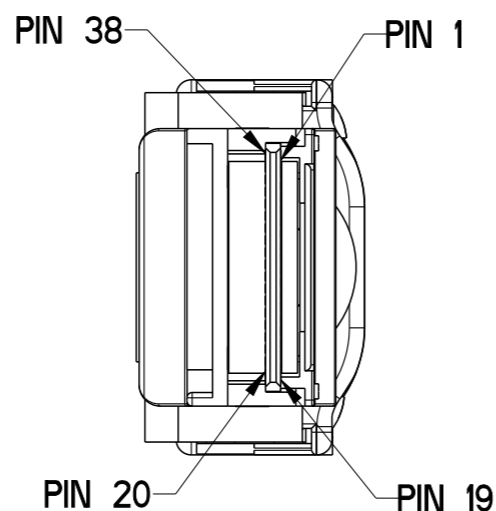


| | | | | | | | | | |
|---------------------------------------|---------|----------------|------------|-------------|--|--------|------------------------|--------------|-----------|
| spec ref | dr | Deborah Ingram | 2011/04/12 | projection | mm | size | A3 | scale | 3:10 |
| tolerance std | eng | Tom Feng | 2015/09/09 | | | ecn no | ELX-N-21883-1 | | |
| TOLERANCES UNLESS OTHERWISE SPECIFIED | | | | | | | product family | QSFP PLUG | rel level |
| surface | linear | 0.X | ±- | | FINAL ASSEMBLY - STANDARD QSFP+ (PASSIVE) to EYEMAX ASSEMBLY | dwg no | 10117984 | | rev |
| | | 0.XX | ±- | | | | C | | |
| | | 0.XXX | ±- | | | | | | |
| | angular | 0° | ±° | www.fci.com | cat. no. | - | Product - Customer Drw | sheet 1 of 3 | |

| | |
|------------------|------------------|
| Product number | DESCRIPTION |
| 10117984-XXXXHLF | HALOGEN FREE (H) |



END P1
CABLE CONNECTOR
4X EYEMAX



END P2
CABLE CONNECTOR
QSFP+ PASSIVE PLUG

WIRING LIST (SEE NOTE 6)

| END P1 (EYEMAX) | | CABLE PAIR | END P2 (QSFP+) | |
|-------------------|----------------|------------|--------------------|---|
| EYEMAX PIN NUMBER | EYEMAX SIGNAL | | QSFP + SIGNAL NAME | QSFP+ PIN NUMBER |
| G1-G9 | SIGNAL GROUND | <---> | GND | 1, 4, 7, 13, 16, 19, 20, 23, 26, 32, 35, 38 |
| S1 | IBtxlp(0) | <-o- p | TX1p | 36 |
| S2 | IBtxln(0) | <-o- n | TX1n | 37 |
| S3 | IBtxlp(1) | <-o- p | TX2p | 3 |
| S4 | IBtxln(1) | <-o- n | TX2n | 2 |
| S5 | IBtxlp(2) | <-o- p | TX3p | 33 |
| S6 | IBtxln(2) | <-o- n | TX3n | 34 |
| S7 | IBtxlp(3) | <-o- p | TX4p | 6 |
| S8 | IBtxln(3) | <-o- n | TX4n | 5 |
| S9 | IBtxOp(3) | -o-> n | RX4n | 24 |
| S10 | IBtxOp(3) | -o-> p | RX4p | 25 |
| S11 | IBtxOn(2) | -o-> n | RX3n | 15 |
| S12 | IBtxOp(2) | -o-> p | RX3p | 14 |
| S13 | IBtxOn(1) | -o-> n | RX2n | 21 |
| S14 | IBtxOp(1) | -o-> p | RX2p | 22 |
| S15 | IBtxOn(0) | -o-> n | RX1n | 18 |
| S16 | IBtxOp(0) | -o-> p | RX1p | 17 |
| HOUSING | CHASSIS GROUND | | HOUSING | CHASSIS GROUND (CASE COMMON) |



Copyright FCI.

| | | | | | | | | | |
|---------------------------------------|---------|----------------|------------|-------------|---|--------|------------------------|--------------|----------|
| spec ref | dr | Deborah Ingram | 2011/04/12 | projection | mm | size | A3 | scale | 3:10 |
| tolerance std | eng | Tom Feng | 2015/09/09 | | | ecn no | ELX-N-21883-1 | rel level | Released |
| TOLERANCES UNLESS OTHERWISE SPECIFIED | | | | | | | | | |
| surface | linear | 0.X | ± - | | FINAL ASSEMBLY - STANDARD QSFP+ (PASSIVE) to EYEMAX ASSEMBLY | dwg no | 10117984 | rev | C |
| | | 0.XX | ± - | | | | | | |
| | | 0.XXX | ± - | | | | | | |
| | angular | 0° | ± ° | www.fci.com | cat. no. | - | Product - Customer Drw | sheet 2 of 3 | |

| | |
|------------------|------------------|
| Product number | DESCRIPTION |
| 10117984-XXXXHLF | HALOGEN FREE (H) |

NOTES:
 ① - QSFP+ MATERIALS:
 CASTINGS: ZINC ALLOY/ COPPER UNDERPLATE/ NICKEL OVERPLATE
 PULL TAB: THERMOPLASTIC POLYMER
 LATCH RELEASE: ZINC DIECAST, NICKEL OVERPLATE
 DRIVE SCREWS: STAINLESS STEEL
 STRAIN RELIEF COLLAR: BRASS
 SPRING: STAINLESS STEEL
 LOCTITE
 PADDLE CARD: PRINTED CIRCUIT SUBSTRATE

EYEMAX MATERIALS:
 COVERS: ZINC ALLOY/ COPPER UNDERPLATE/ NICKEL OVERPLATE
 PULL TAB AND CABLE COLLARS: NYLON
 PLUG ASSEMBLIES: THERMOPLASTIC AND COPPER ALLOY
 LATCH: STAINLESS STEEL
 PCB BOARD: PRINTED CIRCUIT SUBSTRATE

2 - THIS PRODUCT MEETS THE RESTRICTION OF HAZARDOUS SUBSTANCES IN ELECTRICAL AND ELECTRONIC EQUIPMENT (RoHS) DIRECTIVE (2002/95/EC)

③ THIS DIMENSION IS A FINISHED PRODUCT LENGTH.

④ UNLESS OTHERWISE SPECIFIED ASSEMBLED LENGTH TOLERANCE IS TO BE:
 "DIM L" < 1 METER = ± 25mm
 "DIM L" = 1 METER TO 10 METERS = ± 2% OF "DIM L"

⑤ - UNLESS OTHERWISE SPECIFIED LABEL POSITION IS TO BE 50mm FROM REAR OF CONNECTOR.
 LABEL DETAILS:
 MANUFACTURER CODE OR NAME COUNTRY ORIGIN
 CUSTOMER P/N OR FCI P/N
 REVISION
 SERIAL NUMBER

△ LABEL EXAMPLE

FCI MADE IN CHINA
 10117984-5100HLF
 REV.C
 CNI3159JA05H0001

SERIAL NUMBER IS ONLY USED FOR TRACKING PRODUCT,DETAIL IS AS BELOW :

CN PRESENT MADE IN CHINA ———— CNI3159JA05H0001
 YYWW(YEAR AND WEEK) ———— H IS HALOGEN FREE TYPE
 PRESENT PRODUCT BASE NUMBER(USE "9J") ———— CABLE AWG(1 IS 32AWG,2 IS 30AWG,4 IS 26AWG,5 IS 24AWG)
 ———— LENGTH(A0 IS 10 METERS, 10 IS 1.0 METER, ETC)

FONT SHALL BE CLEARLY VISIBLE AND BLACK IN COLOR.

⑥ - ALL CABLE ASSEMBLIES SHALL BE 100% TESTED FOR CONTINUITY AS DEFINED IN WIRING LIST.

7 - IMPEDANCE: 100Ω DIFFERENTIAL.

8 - OTHER TESTING PERFORMED AS REQUIRED BY QSFP+ PRODUCT SPECIFICATION: GS-12-622.
 OTHER TESTING PERFORMED AS REQUIRED BY EYEMAX PRODUCT SPECIFICATION: GS-12-216 & GS-12-209.

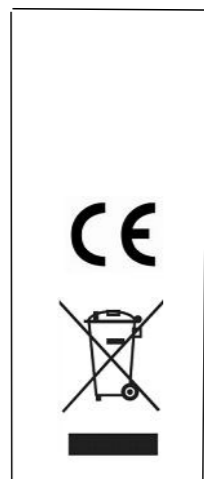
9 - PACKAGING OF LEAD FREE PRODUCTS MEETS LABELING AND PACKAGING PER SPECIFICATION GS-14-920.
 PACKAGE CABLE ASSEMBLIES PER GS-14-1272..

10. A "△" SYMBOL WILL BE NEXT TO ANY DIMENSION, VIEW, OR NOTE WHICH HAS BEEN MODIFIED WITH THE CURRENT DRAWING REVISION. THE CURRENT REVISION WILL BE SHOWN IN THE SYMBOL.

11. "H" PRODUCT NUMBERS DESIGNATE THE USE OF HALOGEN FREE RAW CABLE.

12. LONGER LENGTH APPLICATIONS REQUIRE HOST SYSTEM PREMPHASIS AND/OR EQUALIZATION.

△ CE AND WEEE LOGO LABEL



| | | | | | | | | | |
|---------------------------------------|---------|----------------|------------|-------------|----------|--------------------|---------------|--------------|----------|
| spec ref | dr | Deborah Ingram | 2011/04/12 | projection | mm | size | A3 | scale | 3:10 |
| tolerance std | eng | Tom Feng | 2015/09/09 | | | ecn no | ELX-N-21883-1 | rel level | Released |
| TOLERANCES UNLESS OTHERWISE SPECIFIED | | | | | | | | | |
| surface | linear | 0.X | ±- | | | | 10117984 | | C |
| | | 0.XX | ±- | | | | | | |
| | | 0.XXX | ±- | | | | | | |
| | angular | 0° | ±° | www.fci.com | cat. no. | Product - Customer | Drw | sheet 3 of 3 | |