


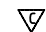
SIGN	DATE	DESCRIPTION	APPROVER
△	05/10'12	The dimension is changed	Runner
△	10/10'13	Add is cULus // update the drawing	Da cheng

THIS IS CAD DRAWING, DO NOT REVISE MANUALLY!!!

Material:

- Item Ⓐ Terminal body: Thermoplastic (UL94V-0)
- Item Ⓑ Terminal side body: Thermoplastic (UL94V-0)
- Item Ⓒ Terminal lever: Thermoplastic (UL94V-0) Orange RAL2011/P
- Item Ⓓ Female long contact : Brass. Tin Plated.
- Item Ⓔ Female short contact : Brass. Tin Plated.
- Item Ⓕ Spring clamp : Stainless steel
- Item Ⓖ Terminal cover: Thermoplastic (UL94V-0)

- Electrical: cULus
- Voltage rating: 300 V
 - Current rating: 10A
 - Wire range:
 - Solid wire(AWG): 16-26
 - Stranded wire(AWG): 16-26
 - Wire strip length: 8-9 mm
 - Withstanding Voltage: 1.6 KV
 - Operating temperature: -40°C to +115°C
 - Soldering temperature: 260°C ±5°C/5 Sec

- Safety Approval: 
- Critical dimension: 

NI xx 5 0 x 0 xxxx G RoHS compliant (lead<4% In copper Alloy)

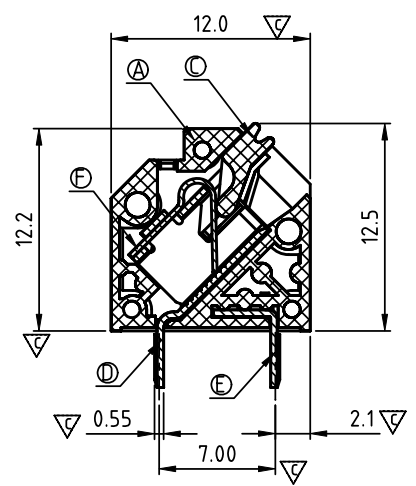
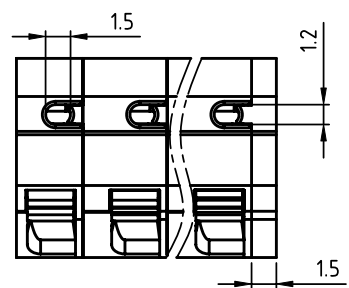
No. OF POLES

- △ 01: 1 POLES
- ⋮
- 24: 24 POLES

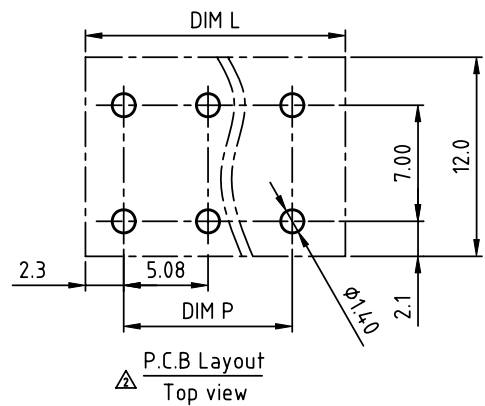
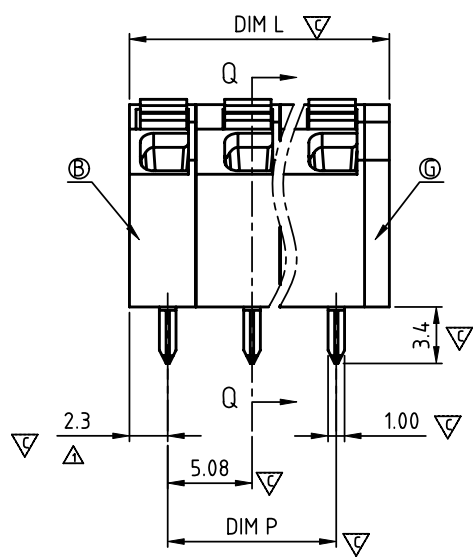
Body Color

- 0 Black (RAL9005)
- 2 Red (RAL3001/D)
- 3 Orange(RAL2011/P)
- 4 Yellow(RAL1018/A)
- 5 Green(RAL6018/T)
- 6 Blue (RAL5015/A)
- 8 Grey(RAL7004/P)
- 9 White(RAL1102)
- C Multiple colors

0000: "@ " Logo (Standard)
000A: "ANYTEK" Mark
Any special item by customer request. please contact sales department.



SECTION Q-Q



P.C.B Layout Top view

N = Number of poles
 Dim L=(N×5.08)+0.43△
 Dim P=(N-1)×5.08

	Dim L	Dim P
1p	±0.10	△
2-6p	±0.10	
7-12p	±0.20	
13-18p	±0.30	
19-24p	±0.40	

ANYTEK				CUSTOMER COPY			
TITLE		NI 5.08mm Series					
PART NO.		Nlxx50x0xxxxG		DWG NO.		8NI0002	
APPROVED		CHECKED		DESIGNED		DRAWN	
				Da cheng 2013.10.10		Da cheng 2013.10.10	
				CUST NO.		Tolerance	
				SHEET: 01/01		X. ±0.50	
				UNIT: mm		X.X ±0.30	
				SCALE: NONE		X.XX ±0.10	
				REV.: C		X° ±1°	