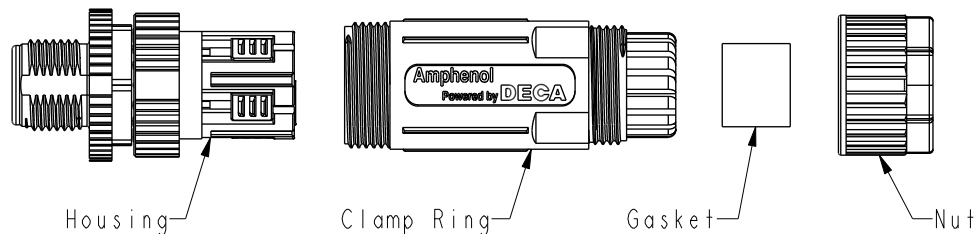


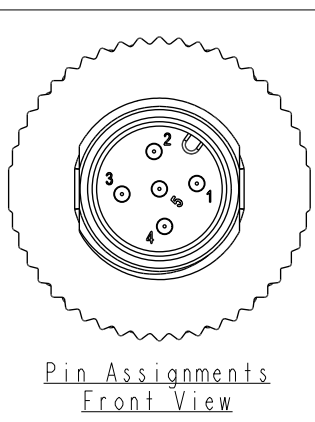
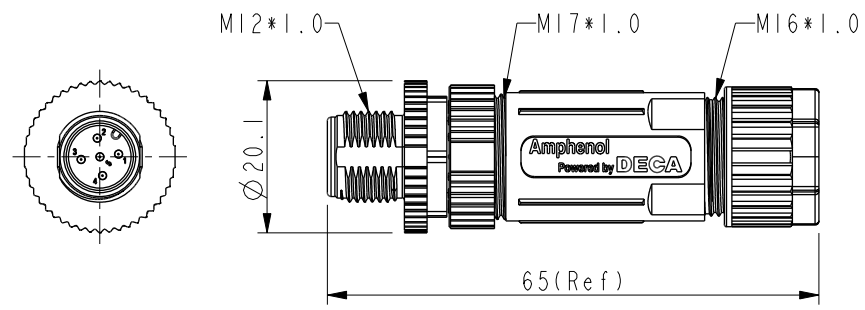
REV.	ECN NO.	DATE	SIGN	DESCRIPTION
A		2019-05-14	Allen Pan	01版轉A



M 12A - 05 B M M E - S L 8 001

12A:A-Code  
05:5Pin  
B:Without S/R(無網尾)  
M:Male Connector(公座)  
M:Male Pin(公Pin)  
E:Push in Type(組裝式)

001:Without Cable  
8:IP68(防水等級68)  
L:Straight(180°)  
S:Screw(螺紋式)



**ALTW**  
**CONFIDENTIAL**  
**2019-05-14**  
**R&D DEPT.**

- Notes:
- \* Waterproof Rate: IP68(1M, 24Hour).
  - \* Gasket: Rubber, Gray
  - \* Nut: Thermoplastic, Black.
  - \* Rated Voltage: 60V.
  - \* Rated Current: 4A.
  - \* Gasket For Cable OD:  $\varnothing 4.0\text{mm} \sim \varnothing 8.0\text{mm}$ .
  - \* Applicable Wire Gauge: 22AWG.
  - \* Operating Temperature:  $-40 \sim 85^{\circ}\text{C}$
  - \* Insulation Resistance:  $\geq 100\text{M}\Omega$ .
  - \* Insertion/Withdrawal Cycles:  $\geq 100$ .
  - \* Nut Recommended Tightening Torque: 4~6kgf.cm.
  - \* Wire Pulling Force:  $\geq 20\text{N}$ .

UNIT:mm

TOLERANCE  
 $\pm 0.5\text{mm}$

TITLE M12 A Code Push in Type Assy 5Pin M Conn M Pin			
SCALE 1:1	SIZE A4	SHEET 1 OF 1	
REV. A	WC-REV. A.4	QC: Inspection item	

**Amphenol LTW**  
**安費諾亮泰企業股份有限公司**

ITEM NO. M12A-05BMME-SL8001	DRAWN BY Allen Pan	DATE 2019-05-14
DWG NO. M12A-05BMME-SL8001	CHECKED BY Fred Lee	DATE 2019-05-14
CUSTOMER ALTW	APPROVED BY Fred Lee	DATE 2019-05-14

THIS DOCUMENT IS SUBJECT TO CHANGE WITHOUT NOTICE. IT IS CONFIDENTIAL AND A PROPERTY OF Amphenol LTW. DISCLOSURE TO THIRD PARTY HAS TO BE AUTHORIZED BY Amphenol LTW.