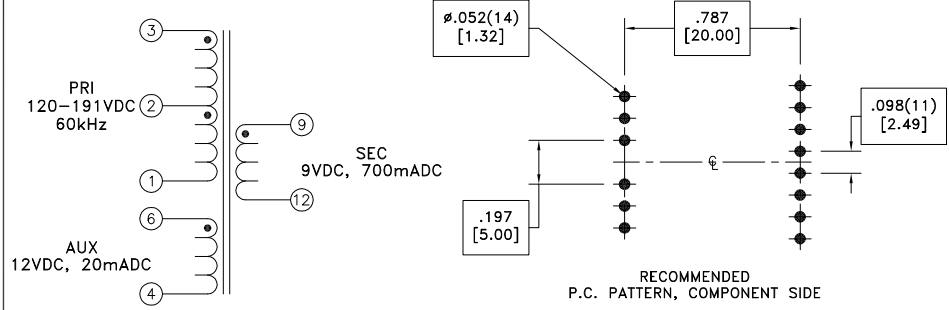
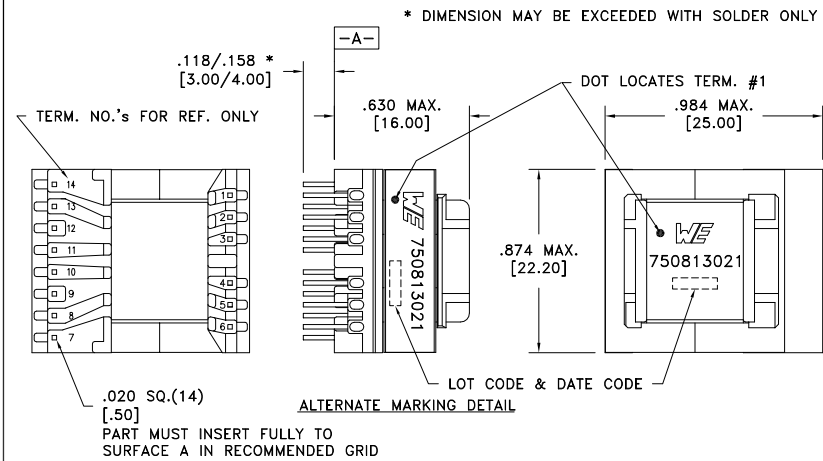


CUSTOMER TERMINAL	RoHS	LEAD(Pb)-FREE
Sn96%, Ag4%	Yes	Yes



ELECTRICAL SPECIFICATIONS @ 25°C unless otherwise noted:

PARAMETER	TEST CONDITIONS	VALUE
D.C. RESISTANCE	3-1 @20°C	0.840 ohms ±20%
D.C. RESISTANCE	6-4 @20°C	0.160 ohms ±20%
D.C. RESISTANCE	9-12 @20°C	0.022 ohms ±20%
INDUCTANCE	3-1 60kHz, 100mVAC, Ls	1.60mH ±10%
SATURATION CURRENT	20% rolloff from initial	660mA
LEAKAGE INDUCTANCE	3-1 tie(9+12), 100kHz, 100mVAC, Ls	55uH max.
DIELECTRIC	3-9 tie(1+6), 3750VAC, 1 second	3000VAC, 1 minute
TURNS RATIO	(3-1):(6-4)	8.33:1, ±2%
TURNS RATIO	(3-1):(9-12)	11.11:1, ±2%
TURNS RATIO	(3-2):(2-1)	1:1, ±2%

GENERAL SPECIFICATIONS:

OPERATING TEMPERATURE RANGE: -40°C to +125°C including temp rise.

Designed to comply with the following requirements as defined by IEC60950-1, EN60950-1, UL60950-1/CSA60950-1 and AS/NZS60950.1:

- Reinforced insulation for a primary circuit at a working voltage of 250Vrms.

Wire insulation & RoHS status not affected by wire color.
Wire insulation color may vary depending on availability.

DETAILS SUBJECT TO CHANGE

REV.	DATE	Packaging Specifications Method: Tray PKG-0736 www.we-online.com/midcom		Tolerances unless otherwise specified: Angles: ±1° Fractions: ±1/64 Decimals: ±.005 [.13] Footprint: ±.001 [.03]	DRAWING TITLE TRANSFORMER	PART NO. 750813021
6A	5/13	SEE REVISION SHEET FOR REVISION LEVEL	CONVENTION PLACEMENT	This drawing is dual dimensioned. Dimensions in brackets are in millimeters.	eiSos p/n: 750813021	compliant RoHS SPECIFICATION SHEET 1 OF 1