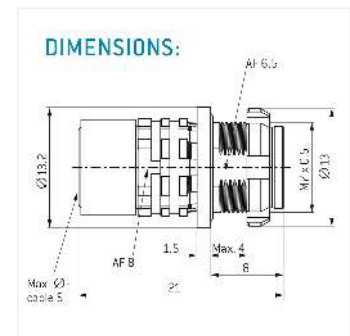
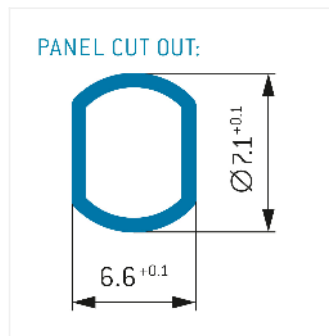


General information

Part number	G6CWAM-PU4WBM0-0000
Termination	solder
Size	00
Locking principle	break
Coding	a_key_amc
Cable Diameter	cable_amchd_C



Contact insert description

Number of contacts	4
Contact type	sockets
Contact diameter	03mm
Insulator material	peek
Wire cross section	24_awg_28_awg
Termination	solder
Data transmission	usb_2

reverse_gender_on_request

Technical information

Nominal current single contact	01_a	iec_60512_5_2
Nominal current insert	1 A	vde_0298_4
Test voltage	075_kv_dc	eia_364_20f

safety_text

Mechanical and environmental data

Degree of protection*	ipsk8_ip6k9k
Operating temperature	51_125_c
Mating cycles	5000

mated

Material and surface treatments

Housing	ruthenium
Contact	cu_alloy_gold

data_text

safety_text_2

data_text

ul_text

illustrative_text