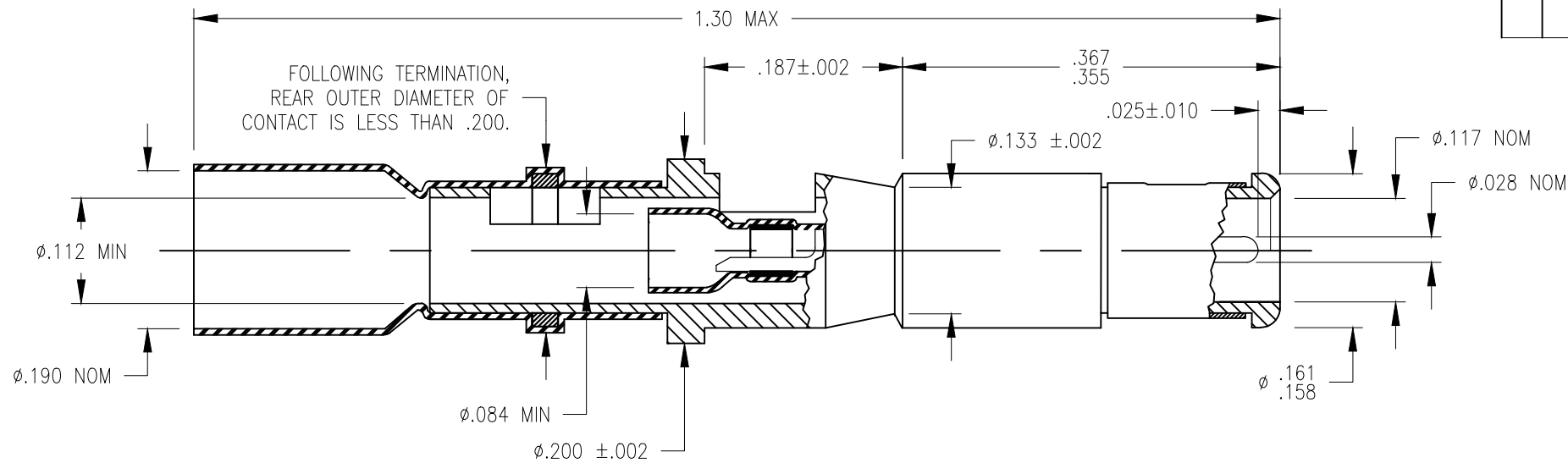


| P | LTR | DESCRIPTION | DATE | DWN | APVD |
|---|-----|----------------------|-----------|-----|------|
| | K | AS PER ECO-20-003687 | 09MAR2020 | MG | UV |



NOTES:

1. THIS CONTACT IS DESIGNED FOR USE IN MIL-C-26482, SERIES I CONNECTORS.
2. THIS CONTACT IS DESIGNED TO ACCOMODATE COAXIAL CABLES LISTED IN THE TABLE.
3. MATING CONTACT (FOR SIMILAR CABLES): D-602-17.
4. FOR TERMINATION PROCEDURE, SEE RAYCHEM SPECIFICATION ES 61161.

| RG CABLE NO. | RAYCHEM CABLE NO. |
|--------------|-------------------|
| RG 174 /U | 5024A 1X1X |
| RG 179A /U | 5026A 1X1X |
| RG 316 | 5028A 1X1X |
| | 5030A 1X1X |
| | 7528A 1X1X |
| | 7530A 1X1X |
| | 9532A 1X1X |

CONTACT CHARACTERISTICS:


MATERIALS:

1. OUTER CONTACT: BRASS PER ASTM B16/B16M.
PLATING: GOLD PER ASTM B488 (MIL-G-45204), NICKEL PER AMS QQ-N-290, OVER COPPER FLASH.
2. INNER CONTACT: BRASS PER ASTM B16/B16M.
PLATING: GOLD PER ASTM B488 (MIL-G-45204), NICKEL PER AMS QQ-N-290, OVER COPPER FLASH.
3. SPRING CLIP: BERYLLIUM COPPER PER ASTM B194.
PLATING: NICKEL PER AMS QQ-N-290.
4. DIELECTRIC: ETFE FLUOROPOLYMER PER ASTM D3159.
5. SOLDER: SN63 PER ANSI/J-STD-006.
FLUX: ROLO PER ANSI/J-STD-004.
6. CABLE SUPPORT TUBING: HEAT-SHRINKABLE, RADIATION CROSS-LINKED POLYVINYLIDENE FLUORIDE.

PERFORMANCE:

- TEMPERATURE RATING: 125°C MAXIMUM
 CURRENT RATING: 3 AMPS
 VOLTAGE RATING: DIELECTRIC WITHSTANDING VOLTAGE: 900 VOLTS RMS, MAXIMUM.
 CONTACT RESISTANCE: 5 MILLIOHMS MAXIMUM
 INSULATION RESISTANCE: 5,000 MEGAOHMS MINIMUM.
 ENGAGEMENT FORCE: OUTER SOCKET: 20.0 OZ. MAXIMUM
 SEPARATION FORCE: OUTER SOCKET: 3.0 OZ. MINIMUM

SPECIFICATION CONTROL DRAWING

| | | | | | | | |
|---|--|------------------------------|--|--------------|--------------------|--------------------------|--------------------|
| THIS DRAWING IS A CONTROLLED DOCUMENT. | | DWN M.GOWDA 09MAR2020 |  TE Connectivity NAME COAXIAL CONTACT SIZE 12 SOCKET | | | | |
| DIMENSIONS: INCHES | | CHK N.HEGDE 09MAR2020 | | | | | |
| TOLERANCES UNLESS OTHERWISE SPECIFIED: | | APVD U.VARMA 09MAR2020 | | | | | |
| 0 PLC ± - 1 PLC ± - 2 PLC ± - 3 PLC ± - 4 PLC ± - ANGLES ± - | | PRODUCT SPEC - | | | | | |
| MATERIAL | | FINISH | APPLICATION SPEC - | SIZE A3 | CAGE CODE 06090 | DRAWING NO C-D-602-16 | RESTRICTED TO - |
| CUSTOMER DRAWING | | | WEIGHT - | SCALE DNS | SHEET 1 OF 1 | REV K | |