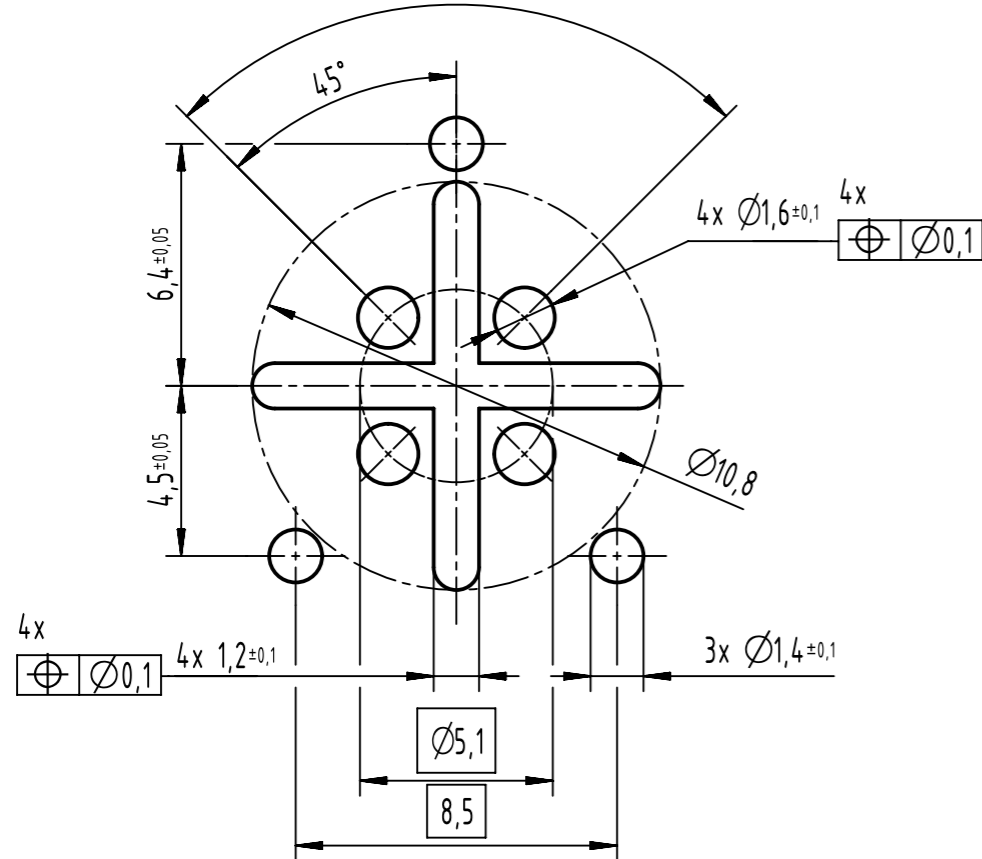
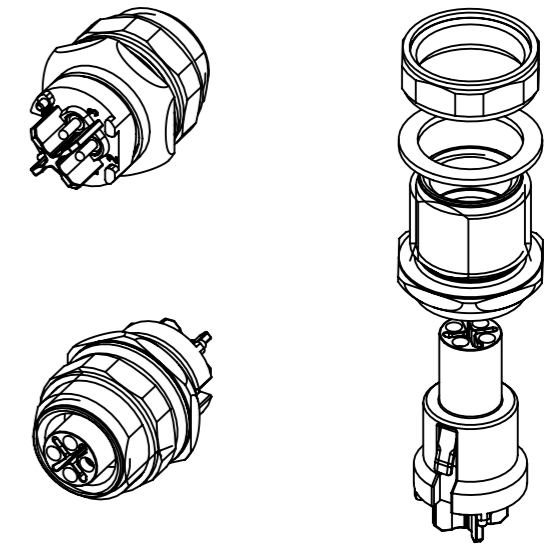
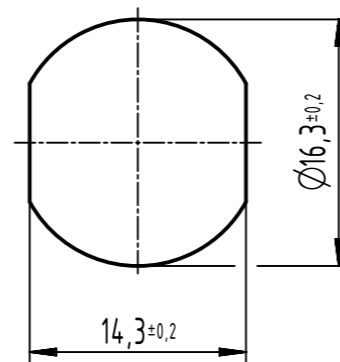


recommended PCB-layout
(5:1)
4x 90°

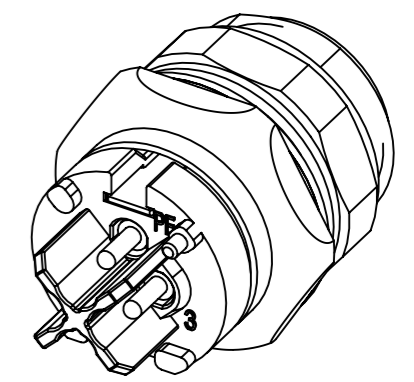
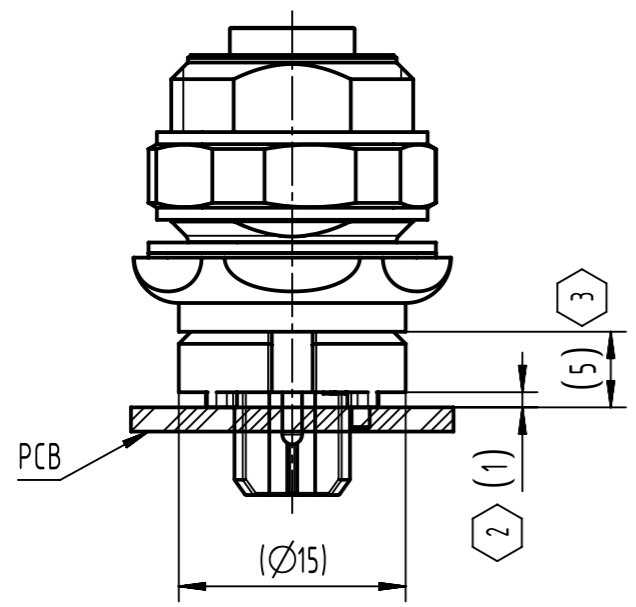
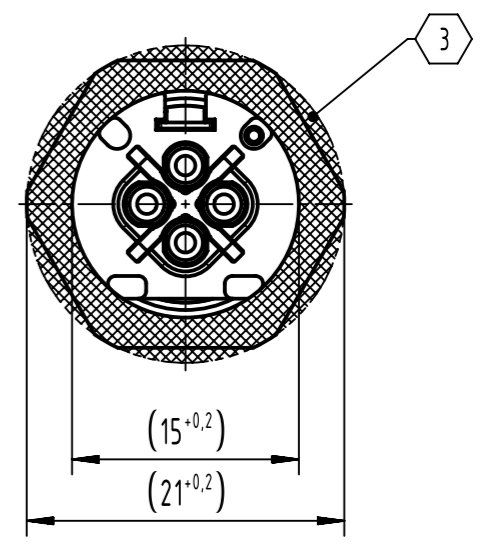
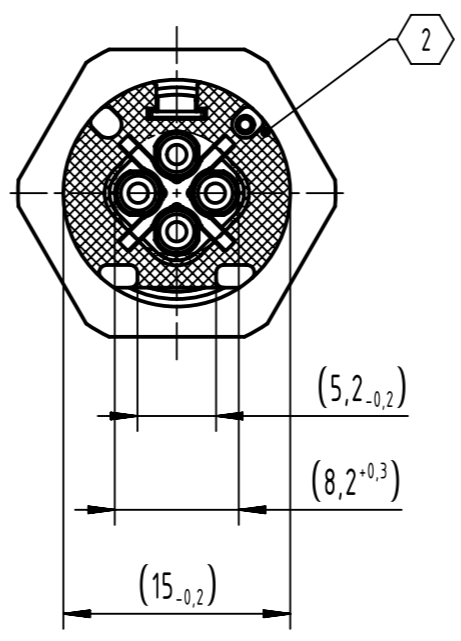
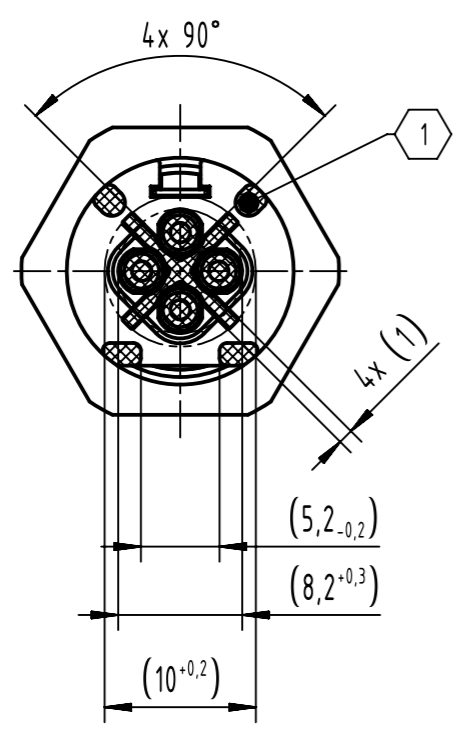


panel cut out



- recommended PCB: 1.6mm
- recommended torque for the lock nut: 2.0Nm
- 1 pcs. single package

| | | | | | | | |
|--|-----------------------------------------|---------------------------------------------|-------------------------|---------------------------|---------------------------------------------------------|------------------------|--------------------|
| | All rights reserved Department EL PD | Created by 402918 | Inspected by MICLAUS | Standardisation ROEBEN | Date 2021-12-06 | State Final Release | Ref. Sub. |
| | HARTING D-32339 Espelkamp | Title M12-PCB-THR-2PC-4P-SCOD-F-STR-SHLD | | | Doc-Key / ECM-Nr. 100800243/UGD/001/D 50000207442 | | Rev. D Page 1/2 |



- 1 the area where no component on the PCB is allowed
- 2 the area where components of max. 0.9mm height are allowed on the PCB
- 3 starting from $\varnothing 15_{+0,2}$, the maximum height of the components on the PCB is 6,7mm

| | | | | | | |
|------------------------------|----------------------------------------------|----------------------|---------------------------------------------------------|---------------------------|--------------------|------------------------|
| | All Dimensions in mm Original Size DIN A3 | Scale 2:1 | Free size tol. | Ref. | | |
| | | | | Sub. | | |
| | All rights reserved Department EL PD | Created by 402918 | Inspected by MICLAUS | Standardisation ROEBEN | Date 2021-12-06 | State Final Release |
| | Title M12-PCB-THR-2PC-4P-SCOD-F-STR-SHLD | | Doc-Key / ECM-Nr. 100800243/UGD/001/D 50000207442 | | | |
| HARTING D-32339 Espelkamp | | Type TB | Number 21033092430 | Rev. D | Page 2/2 | |