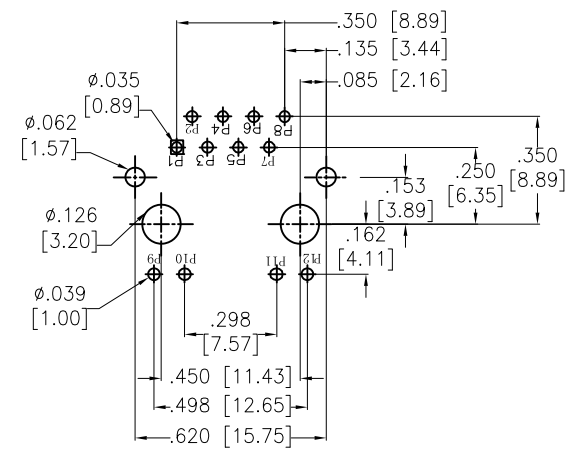
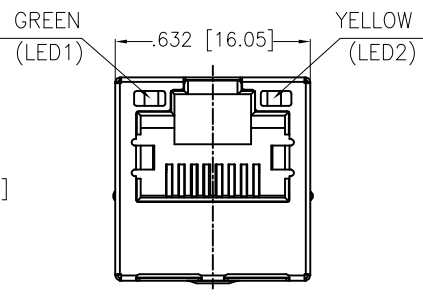
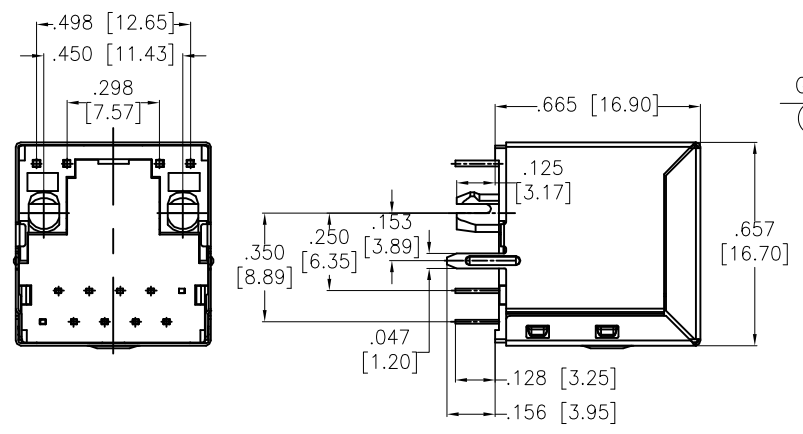


Rev	AWO #	Description	Date	Appr
-		RELEASED	4/22/15	
A		UPDATE SPEC.	11/12/18	AY/NL

APPROVED: \_\_\_\_\_  
 DATE: \_\_\_\_\_ TITLE: \_\_\_\_\_



**SPECIFICATIONS:**  
 Material:  
 Insulator: Thermoplastic, rated UL 94V-0  
 Insulator color: Black  
 Contacts: Copper Alloy  
 Shield: Brass, Nickel plated  
 Plating:  
 Round contact  
 Gold over Nickel underplate overall  
 Flat contact  
 Gold over Nickel underplate on contact area,  
 Tin over Nickel underplate on solder tails  
 Electrical:  
 Voltage rating: 150 VAC  
 Contact Resistance: 20 mohms max  
 Insulation resistance: 500 Mohms min  
 Dielectric withstanding voltage: 1500 VAC or 2250 VDC  
 Temperature Rating:  
 Operating temperature: 0°C to +70°C  
 Environmental:  
 Lead free, RoHS compliant.



UNLESS OTHERWISE SPECIFIED  
 ALL DIMENSIONS ARE INCHES [MM]  
 TOLERANCES: EXCEPT AS NOTED  
 INCHES HOLES

.X ± .10	Ø.X ± .10
.XX ± .020	Ø.XX ± .015
.XXX ± .015	Ø.XXX ± .010

APPROVALS		DATE
DRAWN	HR	4/23/15
CHECKED	LW	4/23/15
APPROVED		

**ADAM TECH INTERCONNECTS** 909 Rahway Avenue,  
 Union, NJ 07083  
 Phone: 908-687-5000  
 Fax: 908-687-5710

TITLE: **MODULAR JACK GANGED, 1 PORT, 8P8C  
 W/ LED1 GREEN, LED2 YELLOW**

SIZE	PART NO.	REV.
X	MTJ-88AX1-FSN-LH1-M5C	A

REF: S00005C SCALE: NTS SHEET 1 OF 2

6

5

4

3

2

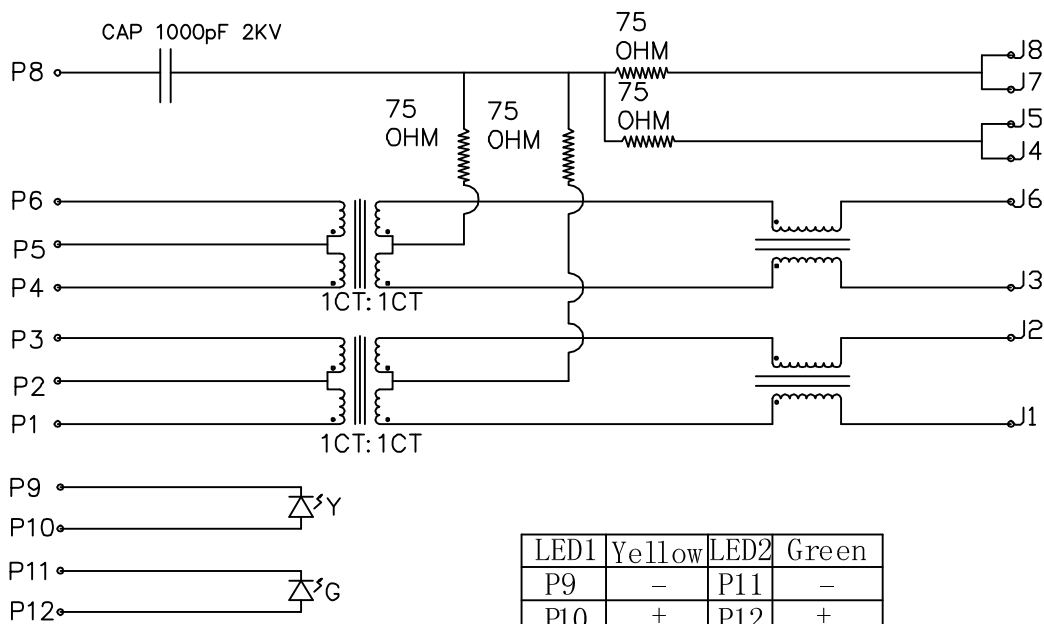
1

APPROVED: \_\_\_\_\_

DATE: \_\_\_\_\_ TITLE: \_\_\_\_\_

Rev	AWO #	Description	Date	Appr
-----	-------	-------------	------	------

SEE SHT 1 OF 2 FOR REVISION



ELECTRICAL SPECIFICATIONS

- Turn Ratio @100KHz: (P1 ~ P3) : (J1 ~ J2) 1:1 ±5%  
(P4 ~ P6) : (J3 ~ J6) 1:1 ±5%
- Inductance: 350uH min. @ 0.1V, 100KHZ, 8mA DC Bias
- DC Resistance: (J1 ~ J2) : (J3 ~ J6): 1.2 Ohms Max.
- Insertion Loss: 1-100MHz -1.2dB Max.
- Insertion Loss: 1-100MHz : -1.1dB Min.  
30-60MHz -12dB Min.  
60-80MHz -10dB Min.
- Return Loss: 1-30MHz -16dB Min.  
30-60MHz -12dB Min.  
60-80MHz -10dB Min.
- Cross Talk: 1-100MHz -30dB Min.
- Common to Common mode Attenuation 1-100MHz -30dB Min.
- Isolation: PHY Side to Line Side: 1500VAC or 2250VDC

UNLESS OTHERWISE SPECIFIED  
ALL DIMENSIONS ARE INCHES [MM]  
TOLERANCES: EXCEPT AS NOTED  
INCHES HOLES

.X	±.10	Ø.X	±.10
.XX	±.020	Ø.XX	±.015
.XXX	±.015	Ø.XXX	±.010

**ADAM** 909 Rahway Avenue,  
**TECH** Union, NJ 07083  
**INTERCONNECTS** Phone: 908-687-5000  
Fax: 908-687-5710

TITLE  
MODULAR JACK GANGED, 1 PORT, 8P8C  
W/ LED1 GREEN, LED2 YELLOW

APPROVALS		DATE
DRAWN	HR	4/23/15
CHECKED	LW	4/23/15
APPROVED		

SIZE	PART NO.	REV.
X	MTJ-88AX1-FSN-LH1-M5C	A
REF: S00005C	SCALE: NTS	SHEET 2 OF 2

6

5

4

3

2

1