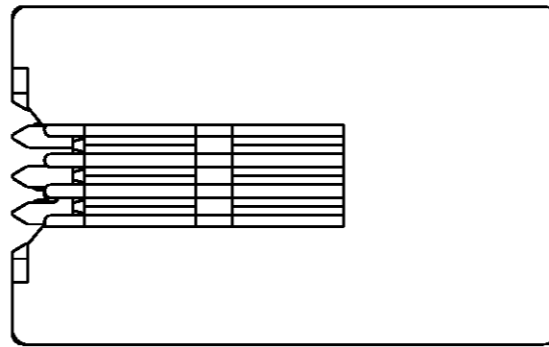


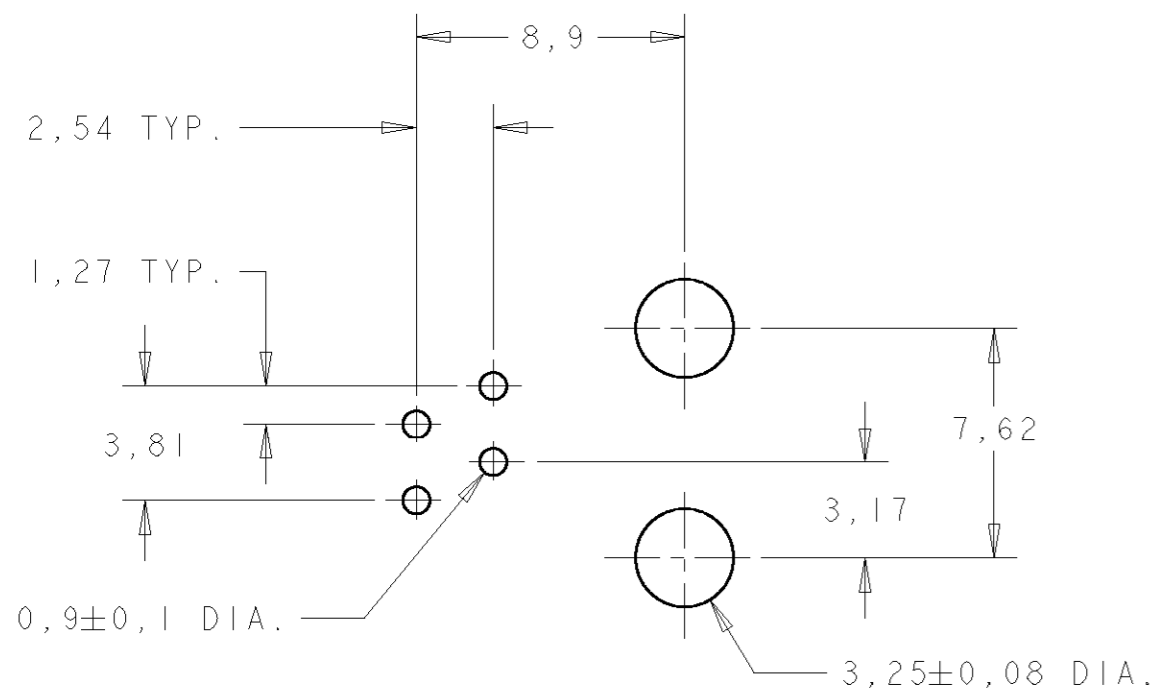
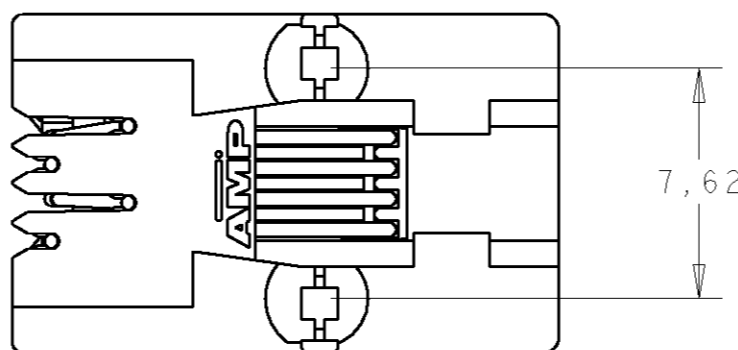
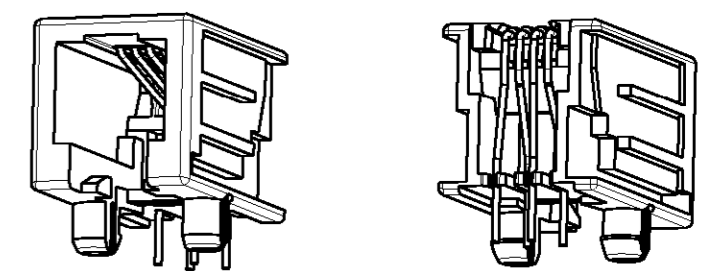
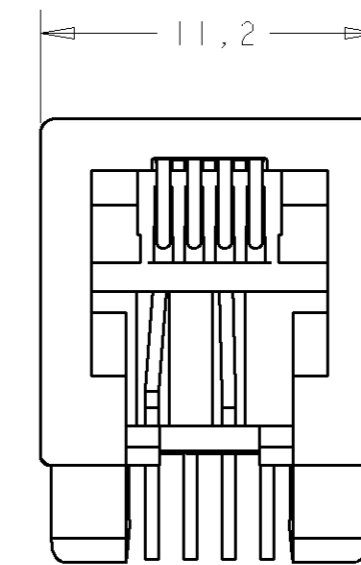
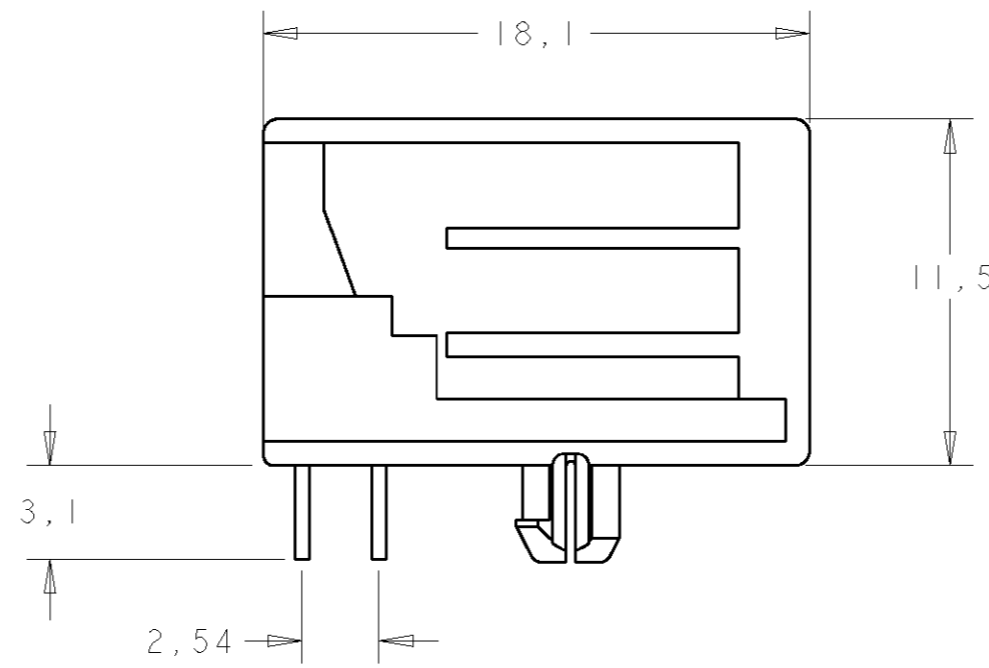
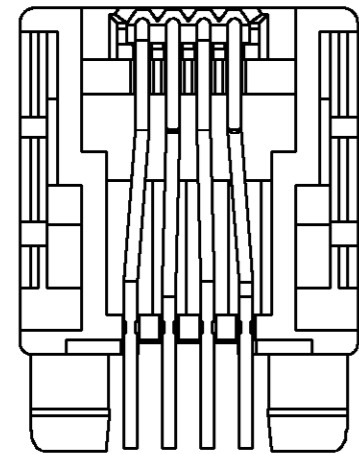
THIS DRAWING IS UNPUBLISHED. RELEASED FOR PUBLICATION DATE: -  
 © COPYRIGHT 97 By Tyco Electronics Nederland B.V. ALL RIGHTS RESERVED.

LOC	DIST	REVISIONS			
		LTR	DESCRIPTION	DATE	APVD
H	-	A	EHI0-0183-05	10 FEB 05	JvdH
-	-	-	-	-	-
-	-	-	-	-	-



NOTE:

1 TOLERANCE UNLESS OTHERWISE SPECIFIED: ±0,15mm.



PRINTED CIRCUIT BOARD LAYOUT

(VIEW SHOWN IS CIRCUIT (NONCOMPONENT) SIDE OF BOARD.)  
 PRINTED CIRCUIT BOARD THICKNESS: 1,6 mm NOMINAL.  
 TOLERANCE UNLESS OTHERWISE SPECIFIED: ±0,05.

IN CONTACT AREA: 0,15µm SEL. GOLDFLASH. OVER 1,2µm MIN. NICKEL. SOLDER TINES: 2,5µm MIN. TIN OVER 1,2µm MIN. NICKEL.	HOUSING, COLOR BLACK: PBT 20% GF, UL 94V-0 CONTACT INSERT: PBT, UL 94V-0 CONTACTS: PH, BRONZE	290 PCS IN A TRAY TAPE MOUNTED 1000pcs./reel	1-1705949-1 1705949-1
FINISH	MATERIAL	PACKAGING	PARTNUMBER

THIS DRAWING IS A CONTROLLED DOCUMENT FOR Tyco Electronics Nederland B.V. IT IS SUBJECT TO CHANGE AND THE CONTROLLING ENGINEERING ORGANIZATION SHOULD BE CONTACTED FOR THE LATEST REVISION.		DWN <b>J.V.D.HEIJDEN</b>	<b>AMP</b> Tyco Electronics Nederland B.V. 3-HERTOGENBOSCH, THE NETHERLANDS	
		CHK <b>P.WILLEMS</b>		
		APVD <b>J.BROEKSTEEG</b>	NAME	
DIMENSIONS: mm		PRODUCT SPEC -	MODULAR JACK SIDE ENTRY 4/4 FOR PRINTED CIRCUIT BOARD.	
TOLERANCES UNLESS OTHERWISE SPECIFIED: 0 PLC ± - 1 PLC ± - 2 PLC ± - 3 PLC ± - 4 PLC ± - ANGLES ± 0,2°		APPLICATION SPEC <b>114-19019</b>	SIZE <b>A2</b>	CAGE CODE <b>00779</b>
MATERIAL FINISH		WEIGHT -	DRAWING NO. <b>1705949</b>	
		SCALE <b>4:1</b> SHEET <b>1</b> OF <b>1</b> REV <b>A</b>		