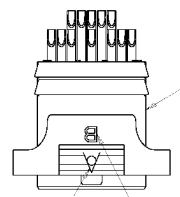


REV	DATE	DESCRIPTION	BY	CHKD
1	0	REVISED TO DRAWING C-4	U.S. ARMY	DR

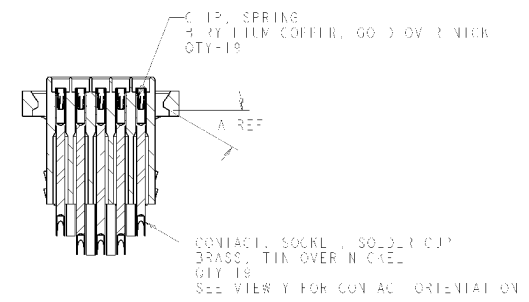
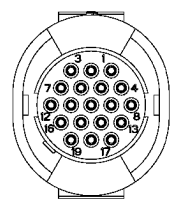
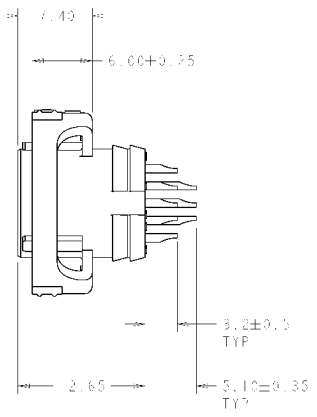
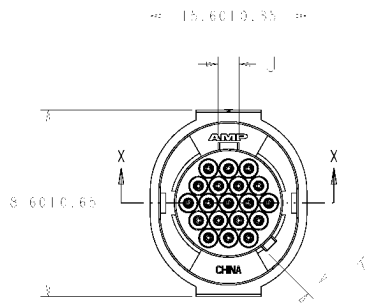


19 PIN
 THERMOPLASTIC. COLOR: SEE TABLE
 QTY: 1

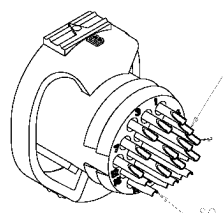
ALIGNMENT
 INDICATOR

1 A - 19 PIN
 B - BREAKAWAY LATCH ONLY
 MAY BE OR ENTERED IN ANY SECTION

PRELIMINARY PART NUMBER



SECTION X-X



SO SOLDER MOUNTION AREA OF ALL CONTACTS IN CIRCUITS 1 THRU 7 WILL BE ORIENTED UP.

SOLDER MOUNTION AREA OF ALL CONTACTS IN CIRCUITS 13 THRU 19 WILL BE ORIENTED UP OR DOWN.

SO SOLDER MOUNTION AREA OF ALL CONTACTS IN CIRCUITS 13 THRU 19 WILL BE ORIENTED DOWN.

VIEW Y

NO.	CIRCUIT	CONTACT	CODE	W	D	ANGLE	FUNCTION	COLOR	PART NUMBER
9	1-3, 9	7-9	A	.5	2.1	0°	POSITIVE	BLACK	2-1445782-
19	A 1		H	2.1	1.5	0°	POSITIVE	BLACK	1775782-7
12	4, 7, 8, 12, 13, 16-9		A	.5	2.1	30°	BREAKAWAY	WHITE	-1445782-6
12	4, 7, 8, 12, 13, 16-9		A	.5	2.1	0°	POSITIVE	BLACK	1775782-5
13	1-4, 7, 8, 9, 2, 3, 16-19		A	.5	2.1	30°	BREAKAWAY	WHITE	-1445782-4
13	1-4, 7, 8, 9, 2, 3, 16-19		A	.5	2.1	0°	POSITIVE	BLACK	1775782-3
14	1-4, 7-9, 2, 3, 16-19		A	.5	2.1	30°	BREAKAWAY	WHITE	-1445782-2
14	1-4, 7-9, 2, 3, 16-19		A	.5	2.1	0°	POSITIVE	BLACK	1775782
15	1-4, 7-9, 2, 3, 16-19		A	.5	2.1	30°	BREAKAWAY	WHITE	-1445782-0
15	1-4, 7-9, 2, 3, 16-19		A	.5	2.1	0°	POSITIVE	BLACK	1445782-09
16	8, 2-9		A	.5	2.1	30°	BREAKAWAY	WHITE	1445782-08
16	8, 2-9		A	.5	2.1	0°	POSITIVE	BLACK	1445782-07
17	1-8, 9, 2-9		A	.5	2.1	30°	BREAKAWAY	WHITE	1445782-06
17	1-8, 9, 2-9		A	.5	2.1	0°	POSITIVE	BLACK	1445782-05
18	9, 2-9		A	.5	2.1	30°	BREAKAWAY	WHITE	1445782-04
18	9, 2-9		A	.5	2.1	0°	POSITIVE	BLACK	1445782-03
19	A 1		A	.5	2.1	30°	BREAKAWAY	WHITE	1445782-02
19	A 1		A	.5	2.1	0°	POSITIVE	BLACK	1445782-01

QTY: SELECT LOADED IN CIRCUITS

CONTACTS: 19

KEYING: 19

CON. ORJA: 19

ORIENTATION: 19

DESCRIPTION: LATCH

POLARIZATION: 19

COLOR: 19

PART NUMBER: 19

tyco Electronics

60778-01-1775782