



IO Expansion Shield for Arduino V7 SKU:DFR0265



IO Expansion Shield for Arduino V7

Contents

- [1 Introduction](#)
- [2 Application](#)
- [3 PinOut](#)
 - [3.1 Introduction for Digital pins](#)

Introduction

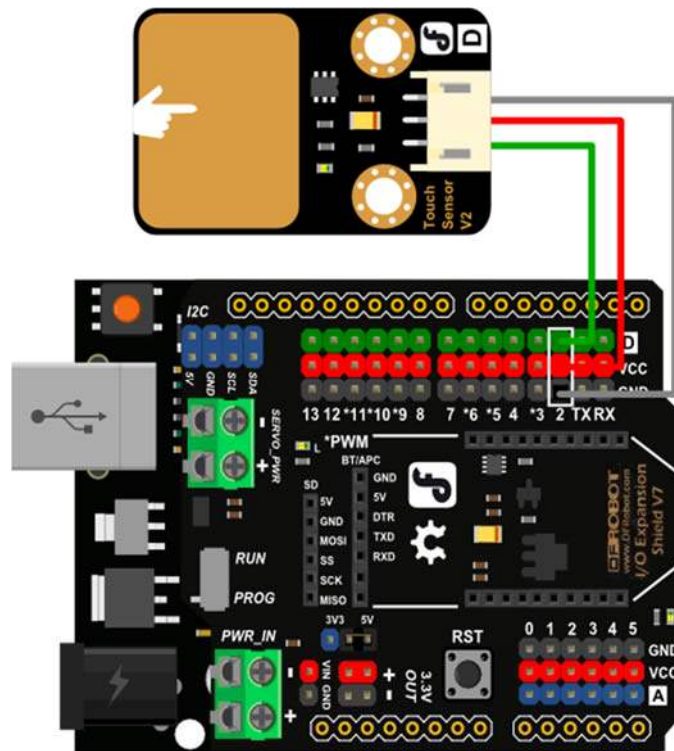
The new IO Expansion Shield V7 has arrived, from the best selling family of IO expansion shield for Arduino. For the past few years these expansion shields have been aiding thousands of makers to create, to expand, to share their sparkles of idea and ingenuity, and now comes the young V7.

The new IO Expansion Shield V7 not only inherits the advantages, but also enjoys numerous new features:

- Compatible with the new Arduino Due
- 3.3V/5V operating voltage select
- Switch for wireless communication & programme
- More Easily recognizable interfaces
- Colorful header for illustrating digital or analog pins
- Immersion gold surface

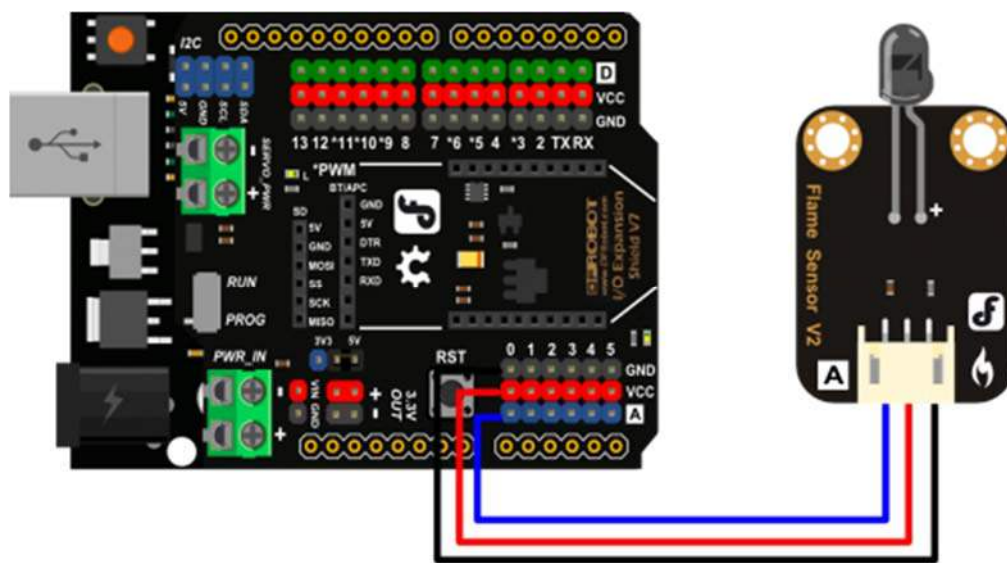
Application

Digital Sensor



Digital Sensor

Analog Sensor



Analog Sensor

Wireless Modules

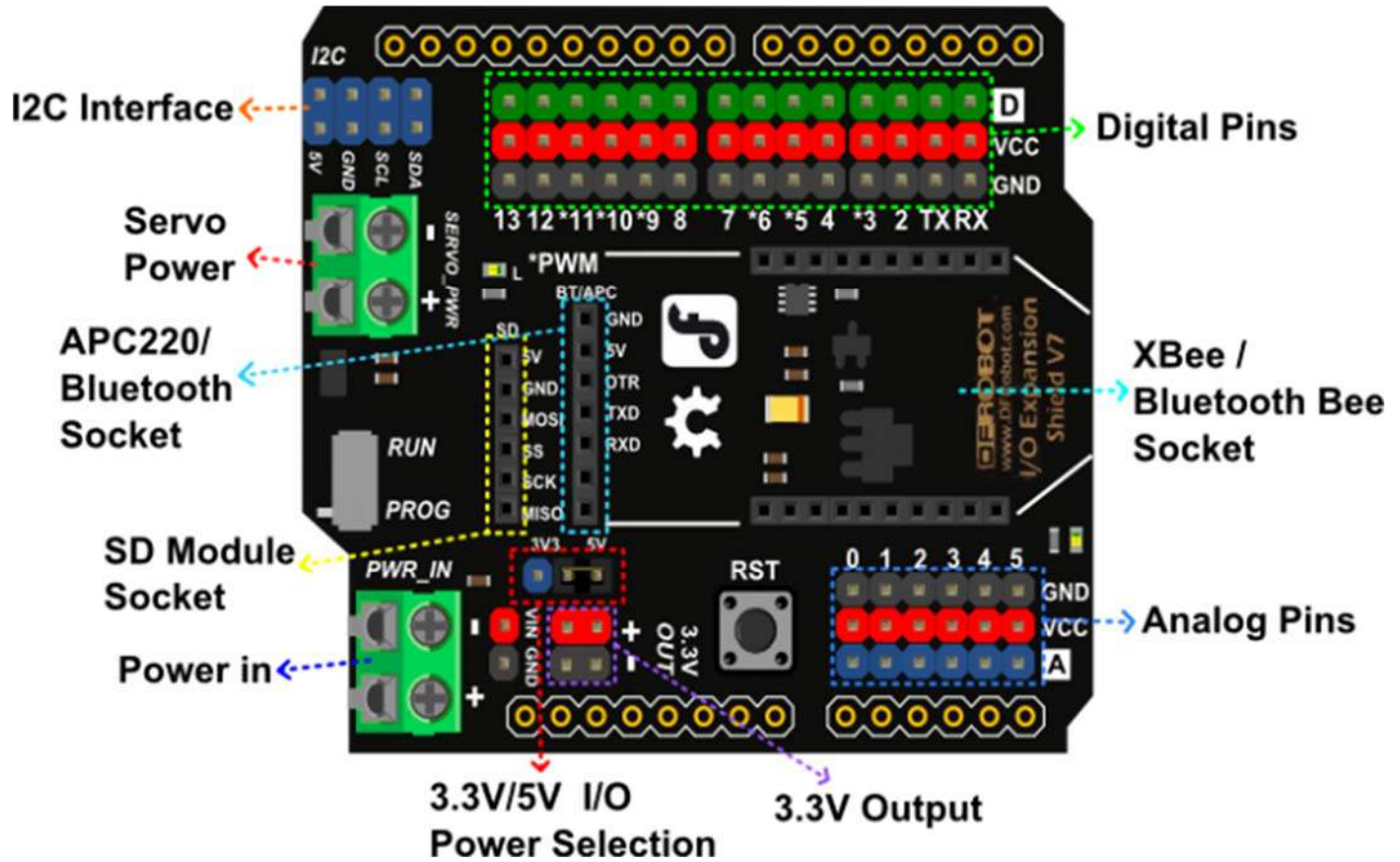


APC220/Bluetooth socket



Bee/XBee Bluetooth socket

PinOut



Introduction for Digital pins

- RX:D0
- TX:D1
- SPI interface SS:D4
- SPI interface MOSI:D11
- SPI interface MISO:D12
- SPI interface SCK:D13

FAQ

For any questions/advice/cool ideas to share, please visit [DFRobot Forum](#).