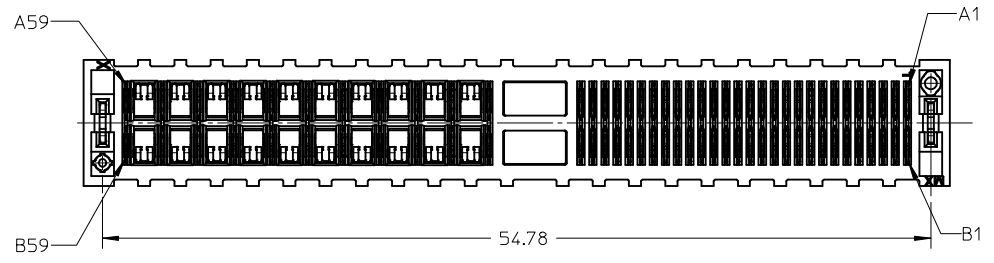
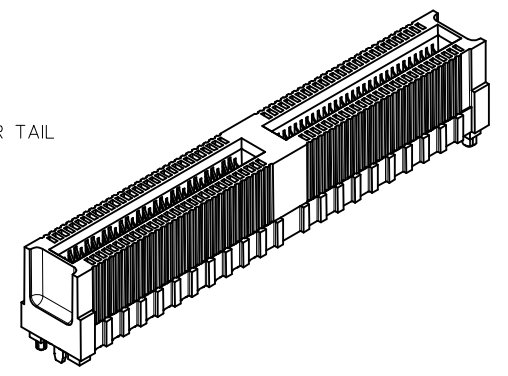
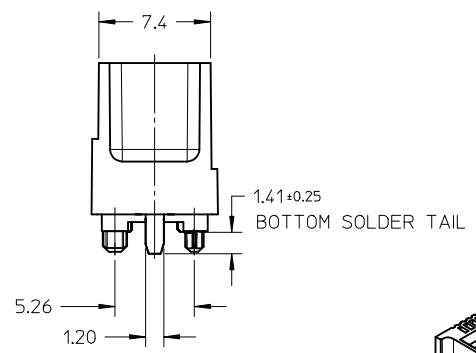
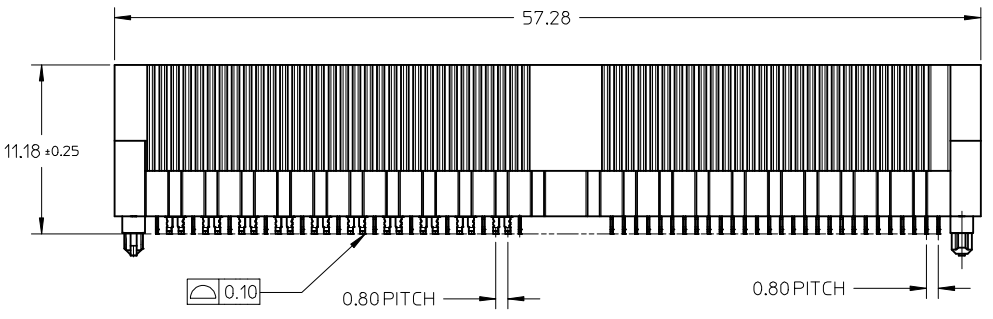


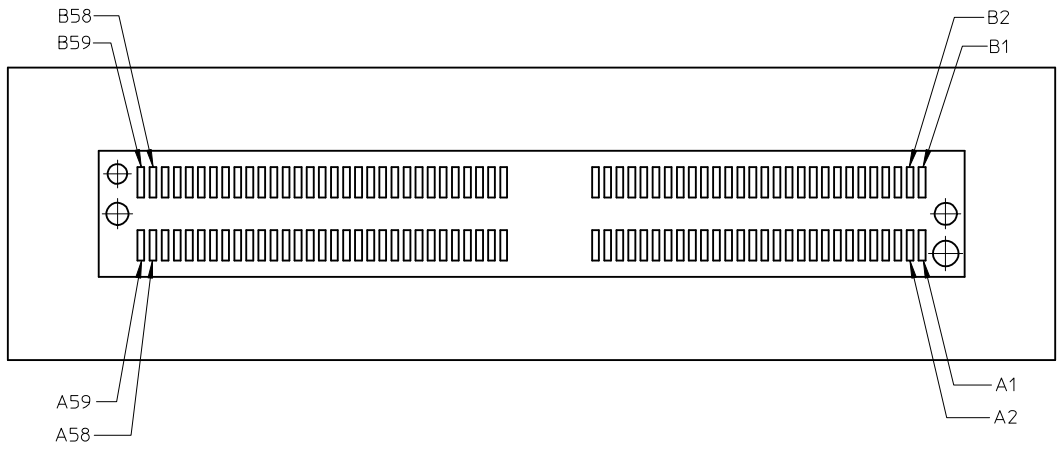
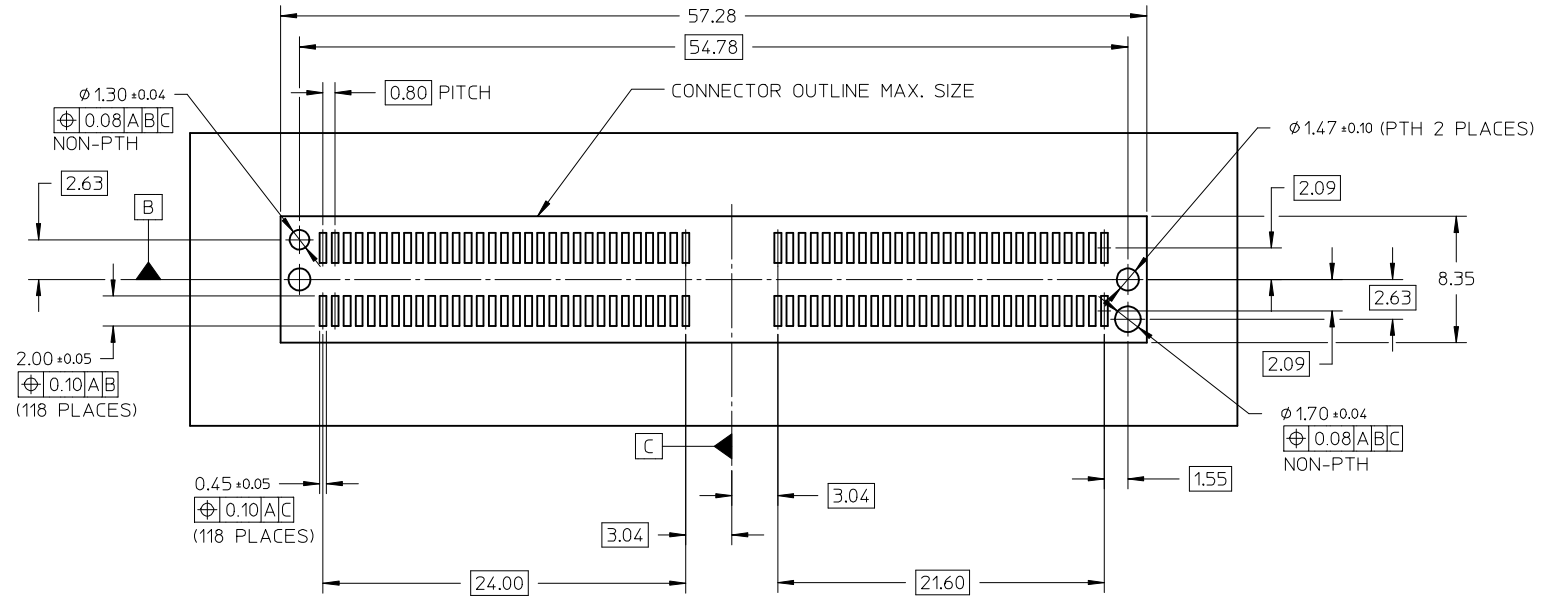
ASSEMBLY PART NO.	PACKAGING SPECIFICATION
151214-1118	PK-151214-0002 (TRAY)
151214-2118	PK-151214-0001 (TUBE)
151214-3118	PK-151214-0003 (TAPE & REEL)



- NOTES:
- MATERIAL:
HOUSING - GLASS FILLED THERMOPLASTIC, 94-V0, BLACK
TERMINALS - HIGH PERFORMANCE COPPER ALLOY
 - FINISH:
CONTACT AREA: SELECT GOLD 0.76µm MIN
SOLDER TAIL: 2.54µm MIN TIN (MATTE)
UNDERPLATE: 1.27µm MIN NICKEL ALL OVER
 - PRODUCT SPECIFICATION: PS-151214-0001.
 - PACKAGING SPECIFICATION: REFER TO TABLE
 - APPLICATION SPECIFICATION: AS-151214-0001.
 - MATING PC BOARD THICKNESS = 1.60±0.16MM OVER CONTACT PADS.
 - PRODUCT IS ELV AND RoHS COMPLIANT. LEVEL OF COMPLIANCE: 6/6
ALL BANNED SUBSTANCES ARE REMOVED:
Pb (LEAD)/ HEXAVALENT CHROMIUM (CrVI)/CADMIUM
MERCURY/ POLYBROMINATED BIPHENYL (PBB)
POLYBROMINATED DIPHENYL ETHER (PBDE)
 - THIS PART CONFORMS TO CLASS B REQUIREMENTS OF COSMETIC SPEC PS-45499-002
 - COPLANARITY OF SOLDER TAIL NOT EXCEED 0.10MM

ADDED T&R OPTION EC NO: S2017-0446 DRW: N:CTEH 2017/03/08 CHKD: CGTAN 2017/03/21 APPR: SHLENI 2017/03/21	QUALITY SYMBOLS $F_A=0$ $F_G=0$ $F_P=0$	GENERAL TOLERANCES (UNLESS SPECIFIED)		DIMENSION STYLE MM ONLY		SCALE NTS	DESIGN UNITS METRIC	THIRD ANGLE PROJECTION	
			mm	INCH	DRAWN BY	DATE	TITLE		
		4 PLACES	± ---	± ---	WZHA021	2016/10/06	SALES DRAWING		
		3 PLACES	± ---	± ---	CHECKED BY	DATE	EDGELINE25 850HM		
	± 0.13	± ---	WZHA021	2016/10/06	118CKTS SMT				
	± 0.25	± ---	APPROVED BY	DATE					
0 PLACE	± ---	± ---	SHLENI	2016/11/14					
	ANGULAR ± 5 °		MATERIAL NO.	DOCUMENT NO.		SHEET NO.			
	DRAFT WHERE APPLICABLE MUST REMAIN WITHIN DIMENSIONS		SEE TABLE		SD-151214-0118		1 OF 3		
THIS DRAWING CONTAINS INFORMATION THAT IS PROPRIETARY TO MOLEX INCORPORATED AND SHOULD NOT BE USED WITHOUT WRITTEN PERMISSION									

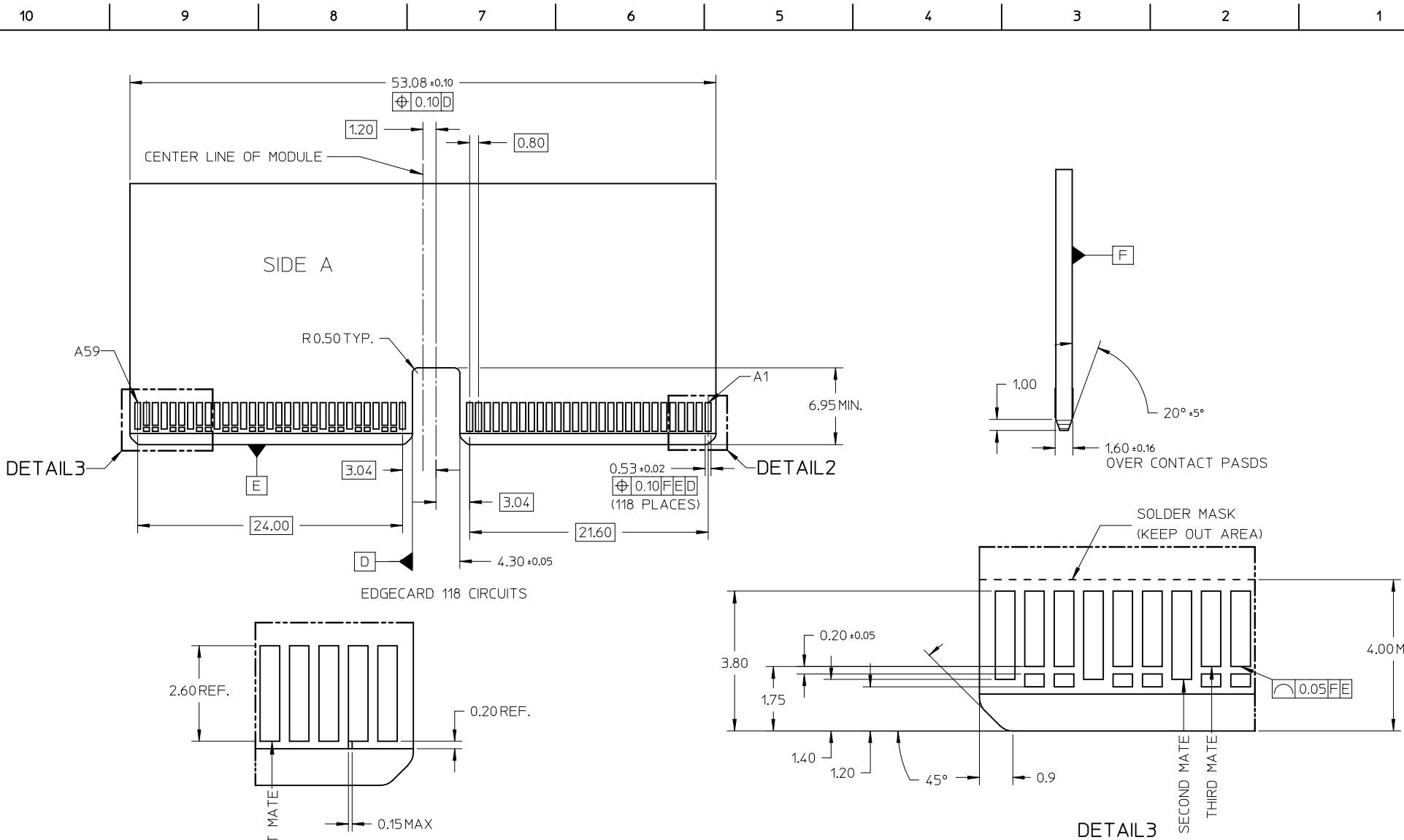
10 9 8 7 6 5 4 3 2 1



NOTES:
1. DATUM A IS THE TOP OF THE PCB.

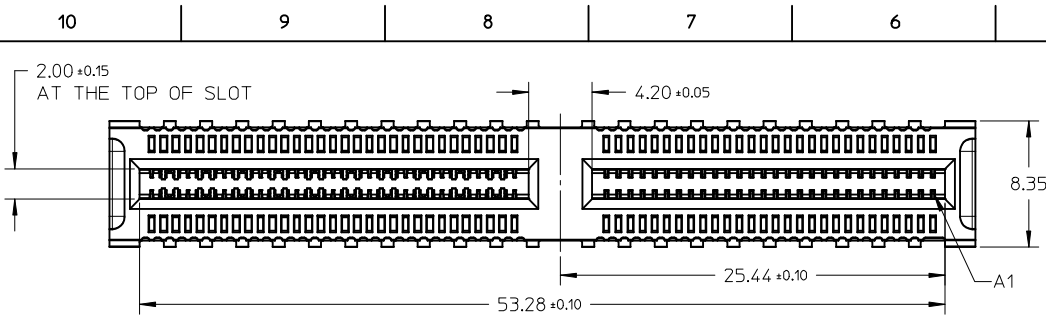
ADDED T&R OPTION EC NO: S2017-0446 DRWN: CTEH 2017/03/08 CHKD: CGTAN 2017/03/21 APPR: SHLENI 2017/03/21	QUALITY SYMBOLS $F_A=0$ $F_G=0$ $F_P=0$	GENERAL TOLERANCES (UNLESS SPECIFIED)		DIMENSION STYLE MM ONLY		SCALE NTS	DESIGN UNITS METRIC	THIRD ANGLE PROJECTION	
			mm	INCH	DRAWN BY WZHA021	DATE 2016/10/06	TITLE SALES DRAWING EDGELINE25 850HM 118CKTS SMT		
		4 PLACES	± ---	± ---	CHECKED BY WZHA021	DATE 2016/10/06	molex DOCUMENT NO. SD-151214-0118 SHEET NO. 2 OF 3		
		3 PLACES	± ---	± ---	APPROVED BY SHLENI	DATE 2016/11/14			
2 PLACES	± 0.13	± ---	MATERIAL NO.		SEE TABLE				
1 PLACE	± 0.25	± ---	ANGULAR ± 5 °		THIS DRAWING CONTAINS INFORMATION THAT IS PROPRIETARY TO MOLEX INCORPORATED AND SHOULD NOT BE USED WITHOUT WRITTEN PERMISSION				
0 PLACE	± ---	± ---	DRAFT WHERE APPLICABLE MUST REMAIN WITHIN DIMENSIONS						

9 8 7 6 5 4 3 2 1

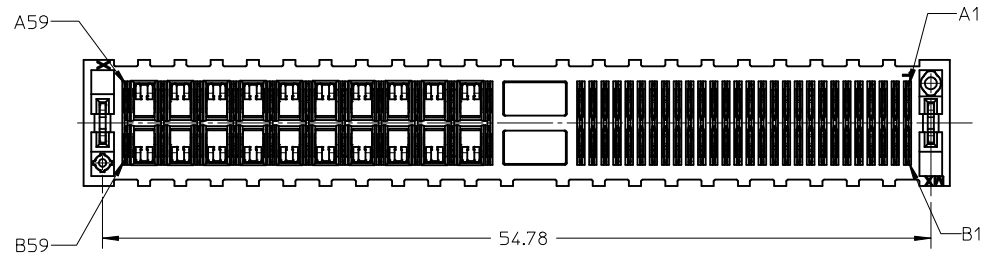
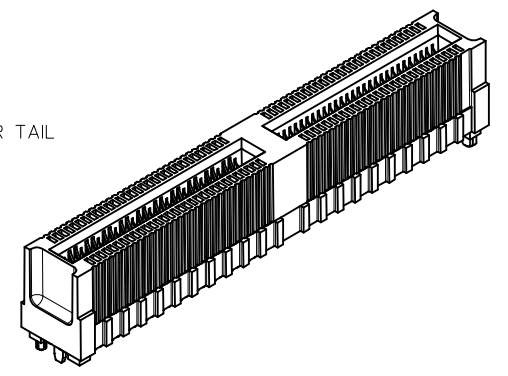
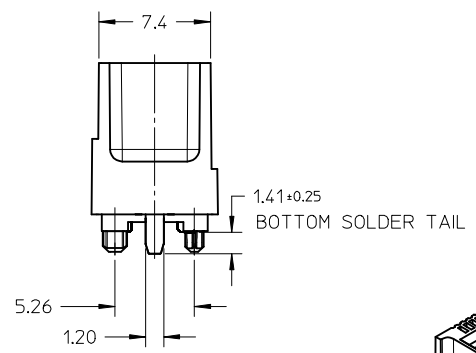
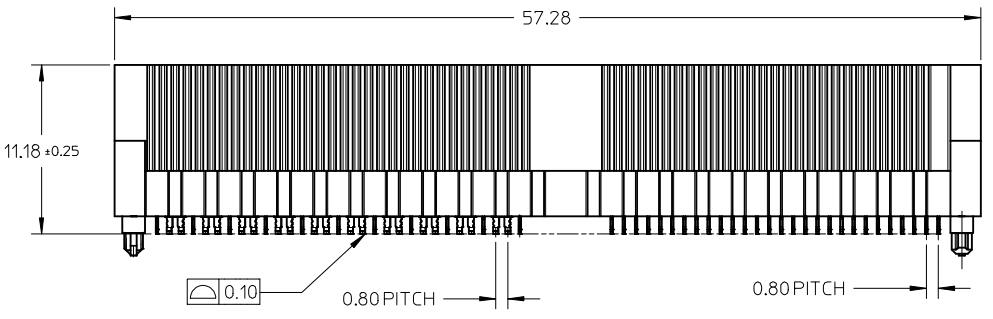


NOTE:
 1. THESE ARE GENERIC DETAILS THAT DESCRIBES THE CONFIGURATION OF VARIOUS PCB DESIGN ELEMENTS. THE CUSTOMER MUST DETERMINE WHERE AND WHEN TO USE EACH ELEMENT TO ACCOMMODATE THEIR SPECIFIC APPLICATION.
 2. CHAMFER ROUGHNESS NOT TO EXCEED 3.17µM
 3. EDGE CARD CHAMFER NOT TO GO THRU GOLD PAD.

ADDED T&R OPTION EC NO: S2017-0446 DRW: CTEH 2017/03/08 CHKD: CGTAN 2017/03/21 APPR: SHLENI 2017/03/21	QUALITY SYMBOLS $\nabla_A = 0$ $\nabla_C = 0$ $\nabla_P = 0$	GENERAL TOLERANCES (UNLESS SPECIFIED)		DIMENSION STYLE MM ONLY		SCALE NTS	DESIGN UNITS METRIC	THIRD ANGLE PROJECTION	
			mm	INCH	DRAWN BY	DATE	TITLE		
		4 PLACES	± ---	± ---	WZHA021	2016/10/06	SALES DRAWING EDGE LINE 25 850HM 118CKTS SMT molex		
		3 PLACES	± ---	± ---	CHECKED BY	DATE			
2 PLACES	± 0.13	± ---	WZHA021	2016/10/06	SD-151214-0118				
1 PLACE	± 0.25	± ---	APPROVED BY	DATE					
0 PLACE	± ---	± ---	SHLENI	2016/11/14	MATERIAL NO. DOCUMENT NO. SHEET NO. SEE TABLE SD-151214-0118 3 OF 3				
ANGULAR ± 5 °		DRAFT WHERE APPLICABLE MUST REMAIN WITHIN DIMENSIONS		SIZE A3				THIS DRAWING CONTAINS INFORMATION THAT IS PROPRIETARY TO MOLEX INCORPORATED AND SHOULD NOT BE USED WITHOUT WRITTEN PERMISSION	



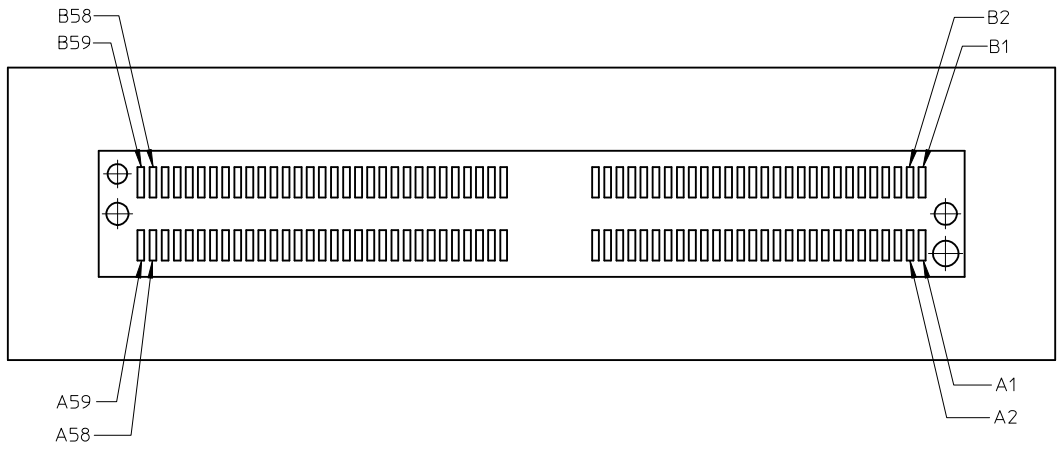
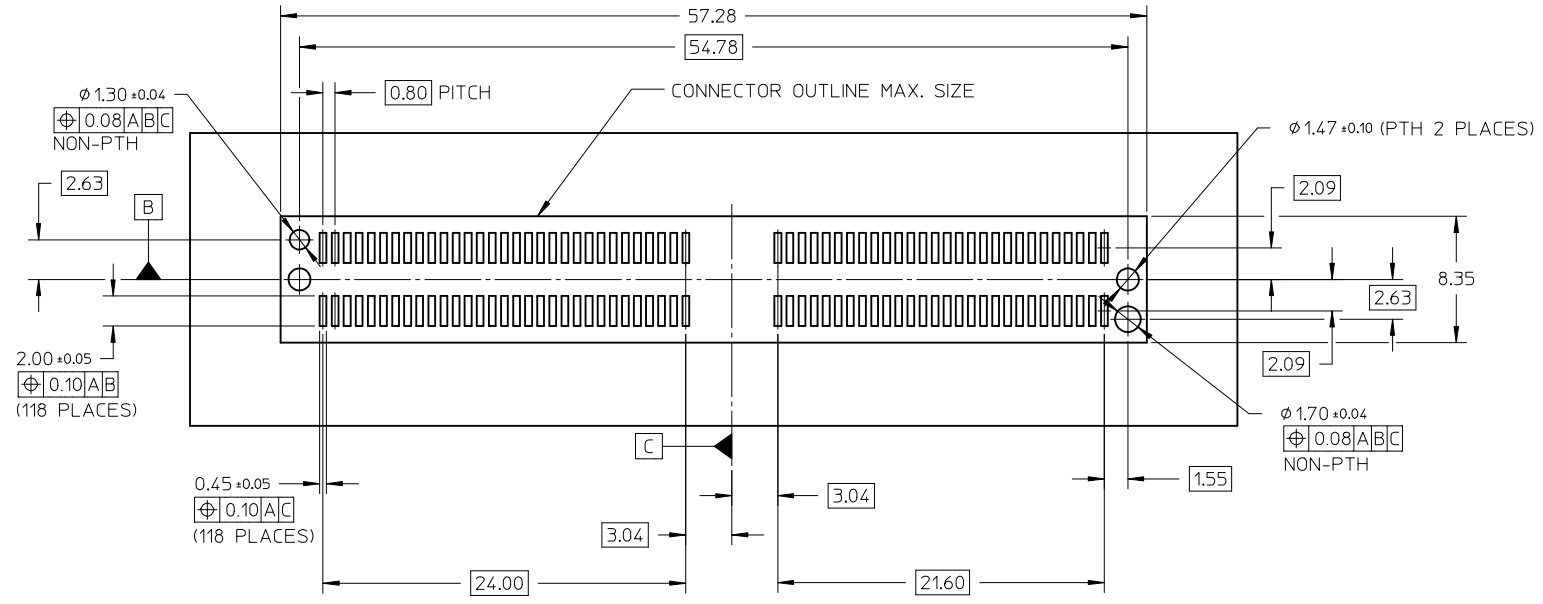
ASSEMBLY PART NO.	PACKAGING SPECIFICATION
151214-1118	PK-151214-0002 (TRAY)
151214-2118	PK-151214-0001 (TUBE)
151214-3118	PK-151214-0003 (TAPE & REEL)



- NOTES:
- MATERIAL:
HOUSING - GLASS FILLED THERMOPLASTIC, 94-V0, BLACK
TERMINALS - HIGH PERFORMANCE COPPER ALLOY
 - FINISH:
CONTACT AREA: SELECT GOLD 0.76µm MIN
SOLDER TAIL: 2.54µm MIN TIN (MATTE)
UNDERPLATE: 1.27µm MIN NICKEL ALL OVER
 - PRODUCT SPECIFICATION: PS-151214-0001.
 - PACKAGING SPECIFICATION: REFER TO TABLE
 - APPLICATION SPECIFICATION: AS-151214-0001.
 - MATING PC BOARD THICKNESS = 1.60±0.16MM OVER CONTACT PADS.
 - PRODUCT IS ELV AND RoHS COMPLIANT. LEVEL OF COMPLIANCE: 6/6
ALL BANNED SUBSTANCES ARE REMOVED:
Pb (LEAD)/ HEXAVALENT CHROMIUM (CrVI)/CADMIUM
MERCURY/ POLYBROMINATED BIPHENYL (PBB)
POLYBROMINATED DIPHENYL ETHER (PBDE)
 - THIS PART CONFORMS TO CLASS B REQUIREMENTS OF COSMETIC SPEC PS-45499-002
 - COPLANARITY OF SOLDER TAIL NOT EXCEED 0.10MM

REV	DESCRIPTION	QUALITY SYMBOLS	GENERAL TOLERANCES (UNLESS SPECIFIED)		DIMENSION STYLE		SCALE	DESIGN UNITS	THIRD ANGLE PROJECTION
			mm	INCH	MM ONLY	NTS	METRIC		
2	ADDED T&R OPTION EC NO: S2017-0446 DRW:ACCTEH 2017/03/08 CHKD:CGTAN 2017/03/21 APPR:SHLENI 2017/03/21	$F_A=0$ $F_G=0$ $F_P=0$	4 PLACES	± ---	± ---	DRAWN BY	DATE	TITLE	SALES DRAWING EDGE LINE 25 850HM 118CKTS SMT molex SD-151214-0118
			3 PLACES	± ---	± ---	CHECKED BY	DATE		
			2 PLACES	± 0.13	± ---	WZHA021	2016/10/06		
			1 PLACE	± 0.25	± ---	APPROVED BY	DATE		
			0 PLACE	± ---	± ---	SHLENI	2016/11/14		
			ANGULAR ± 5 °		MATERIAL NO.	DOCUMENT NO.		SHEET NO.	
			DRAFT WHERE APPLICABLE MUST REMAIN WITHIN DIMENSIONS		SEE TABLE		SD-151214-0118		1 OF 3
			THIS DRAWING CONTAINS INFORMATION THAT IS PROPRIETARY TO MOLEX INCORPORATED AND SHOULD NOT BE USED WITHOUT WRITTEN PERMISSION						

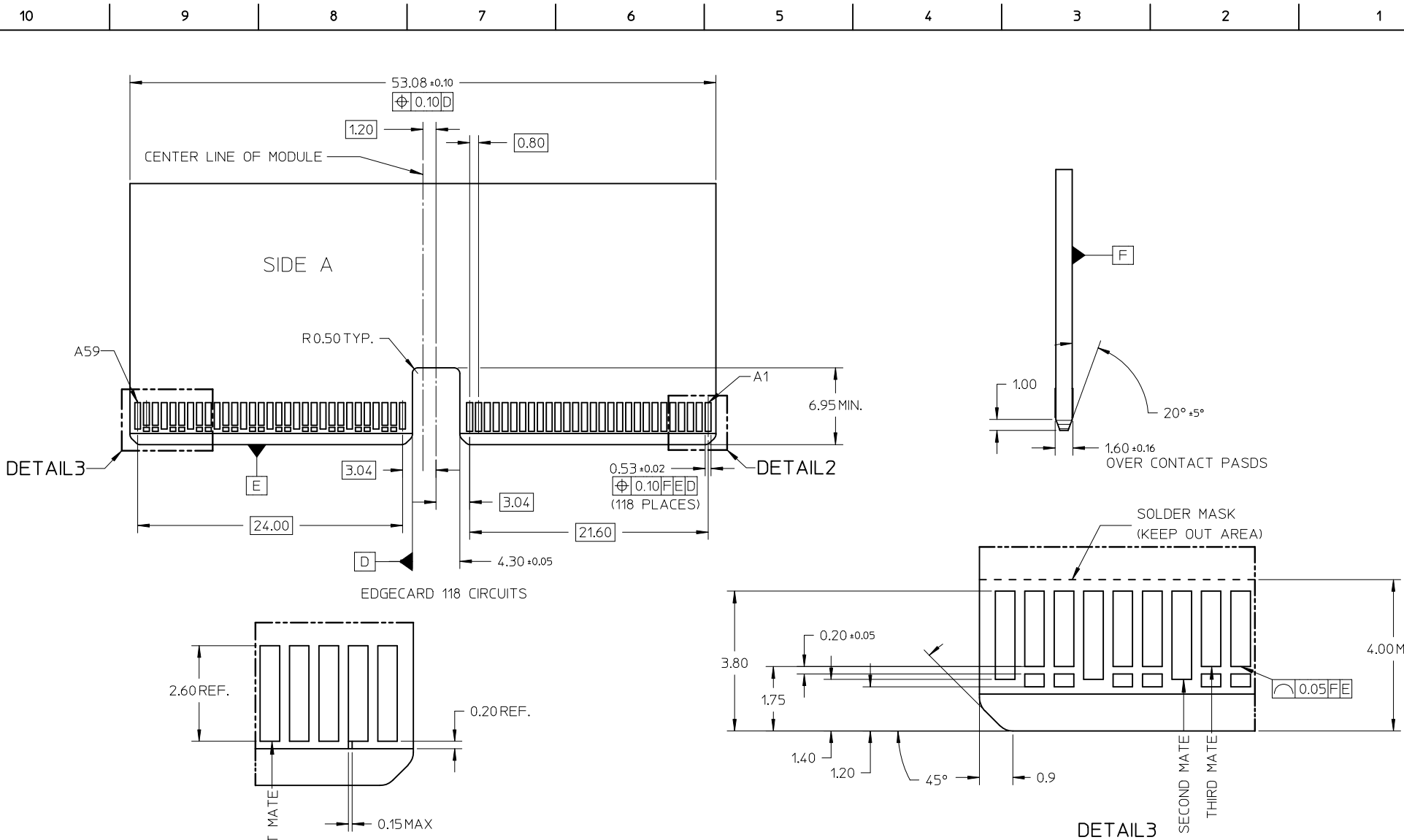
10 9 8 7 6 5 4 3 2 1



NOTES:
1. DATUM A IS THE TOP OF THE PCB.

ADDED T&R OPTION EC NO: S2017-0446 DRWN: CTEH 2017/03/08 CHKD: CGTAN 2017/03/21 APPR: SHLENI 2017/03/21	QUALITY SYMBOLS $F_A=0$ $F_G=0$ $F_P=0$	GENERAL TOLERANCES (UNLESS SPECIFIED)		DIMENSION STYLE MM ONLY		SCALE NTS	DESIGN UNITS METRIC	THIRD ANGLE PROJECTION		
			mm	INCH	DRAWN BY	DATE	TITLE			
		4 PLACES	± ---	± ---	WZHA021	2016/10/06	SALES DRAWING EDGELINE25 850HM 118CKTS SMT molex			
		3 PLACES	± ---	± ---	CHECKED BY	DATE				
2 PLACES	± 0.13	± ---	WZHA021	2016/10/06	DOCUMENT NO. SD-151214-0118 SHEET NO. 2 OF 3					
1 PLACE	± 0.25	± ---	APPROVED BY	DATE						
0 PLACE	± ---	± ---	SHLENI	2016/11/14	MATERIAL NO. SEE TABLE					
DRAFT WHERE APPLICABLE MUST REMAIN WITHIN DIMENSIONS		ANGULAR ± 5 °		THIS DRAWING CONTAINS INFORMATION THAT IS PROPRIETARY TO MOLEX INCORPORATED AND SHOULD NOT BE USED WITHOUT WRITTEN PERMISSION						

9 8 7 6 5 4 3 2 1



NOTE:

- THESE ARE GENERIC DETAILS THAT DESCRIBES THE CONFIGURATION OF VARIOUS PCB DESIGN ELEMENTS. THE CUSTOMER MUST DETERMINE WHERE AND WHEN TO USE EACH ELEMENT TO ACCOMMODATE THEIR SPECIFIC APPLICATION.
- CHAMFER ROUGHNESS NOT TO EXCEED 3.17µM
- EDGE CARD CHAMFER NOT TO GO THRU GOLD PAD.

ADDED T&R OPTION EC NO: S2017-0446 DRWN: CTEH 2017/03/08 CHKD: CGTAN 2017/03/21 APPR: SHLENI 2017/03/21	QUALITY SYMBOLS $\nabla_A = 0$ $\nabla_C = 0$ $\nabla_P = 0$	GENERAL TOLERANCES (UNLESS SPECIFIED)		DIMENSION STYLE MM ONLY		SCALE NTS	DESIGN UNITS METRIC	THIRD ANGLE PROJECTION	
			mm	INCH	DRAWN BY	DATE	TITLE		
		4 PLACES	± ---	± ---	WZHA021	2016/10/06	SALES DRAWING EDGE LINE 25 850HM 118CKTS SMT molex		
		3 PLACES	± ---	± ---	CHECKED BY	DATE			
2 PLACES	± 0.13	± ---	WZHA021	2016/10/06	SD-151214-0118				
1 PLACE	± 0.25	± ---	APPROVED BY	DATE					
0 PLACE	± ---	± ---	SHLENI	2016/11/14	MATERIAL NO. DOCUMENT NO. SHEET NO. SEE TABLE SD-151214-0118 3 OF 3				
ANGULAR ± 5 °		DRAFT WHERE APPLICABLE MUST REMAIN WITHIN DIMENSIONS		SIZE A3				THIS DRAWING CONTAINS INFORMATION THAT IS PROPRIETARY TO MOLEX INCORPORATED AND SHOULD NOT BE USED WITHOUT WRITTEN PERMISSION	