



Surface Mount IP67 Sealed Tactile

Specifications

Electrical Ratings	50mA @ 48VDC	Dielectric Strength	250Vrms min
Electrical Life	500,000 cycles typical	Insulation Resistance	≥100MΩ min
Contact Resistance	≤50mΩ initial	Operating Temperature	-40°C to 85°C
Actuation Force	160 ± 50gF	Storage Temperature	-40°C to 85°C
	200 ± 50gF	Sealing Degree	IP67
	260 ± 50gF	Quantity per reel	4.3mm = 1K pieces per reel
Actuator Travel	.28mm +.20mm / -.10mm		5.0mm = 1K pieces per reel
			7.3mm = 700 pieces per reel

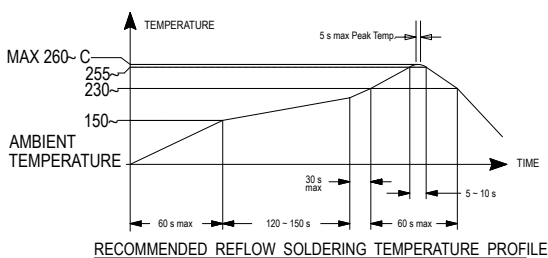
Materials

Actuator	PA6T Nylon
Actuator Cover	Brass, Tin Plated
Switch Housing	PPS
Seal	Silicon, Rubber
Contacts	Stainless Steel, Silver Plated
Terminals	Copper Alloy, Silver Plated

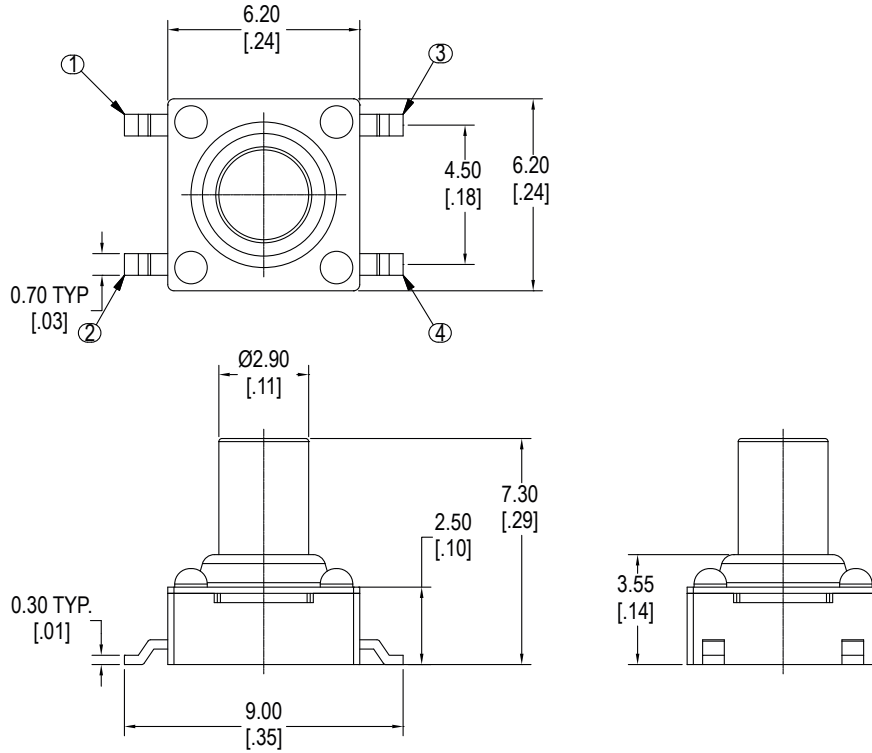
Ordering Information

1. Series	STR	5.0	L	F200	Q	G
STR						
2. Actuator Height						
4.3 = 4.3mm						
5.0 = 5.0mm						
7.3 = 7.3mm						
3. Contact Options						
L = Stainless Steel Dome						
4. Actuation Force						
F160 = 160gF						
F200 = 200gF						
F260 = 260gF						
5. Contact Material						
Q = Silver plated contacts						
6. Terminal Options						
G = Gull Wing						

Recommended Reflow Soldering Diagram



Dimensions



Schematic & PC Layout

