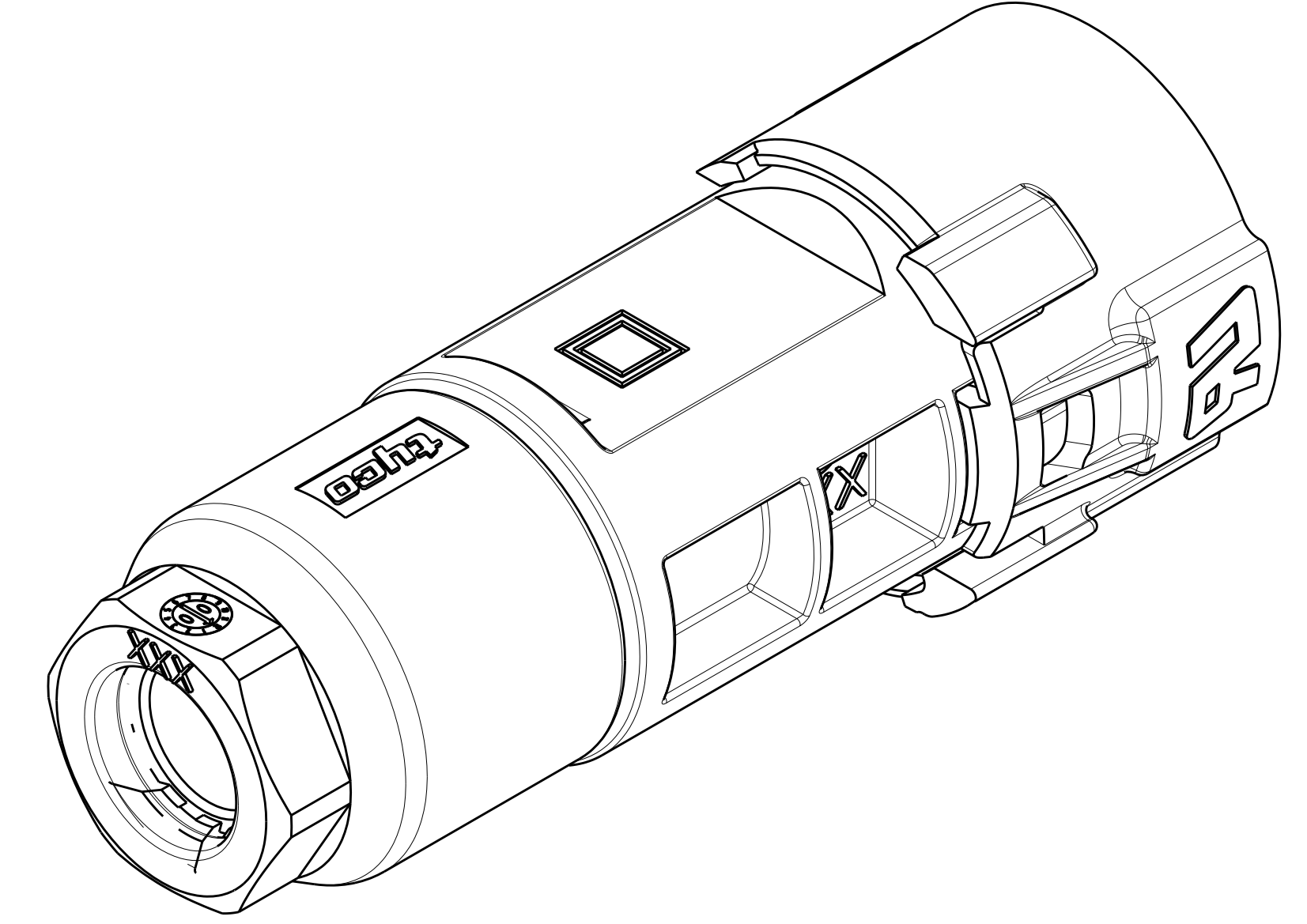
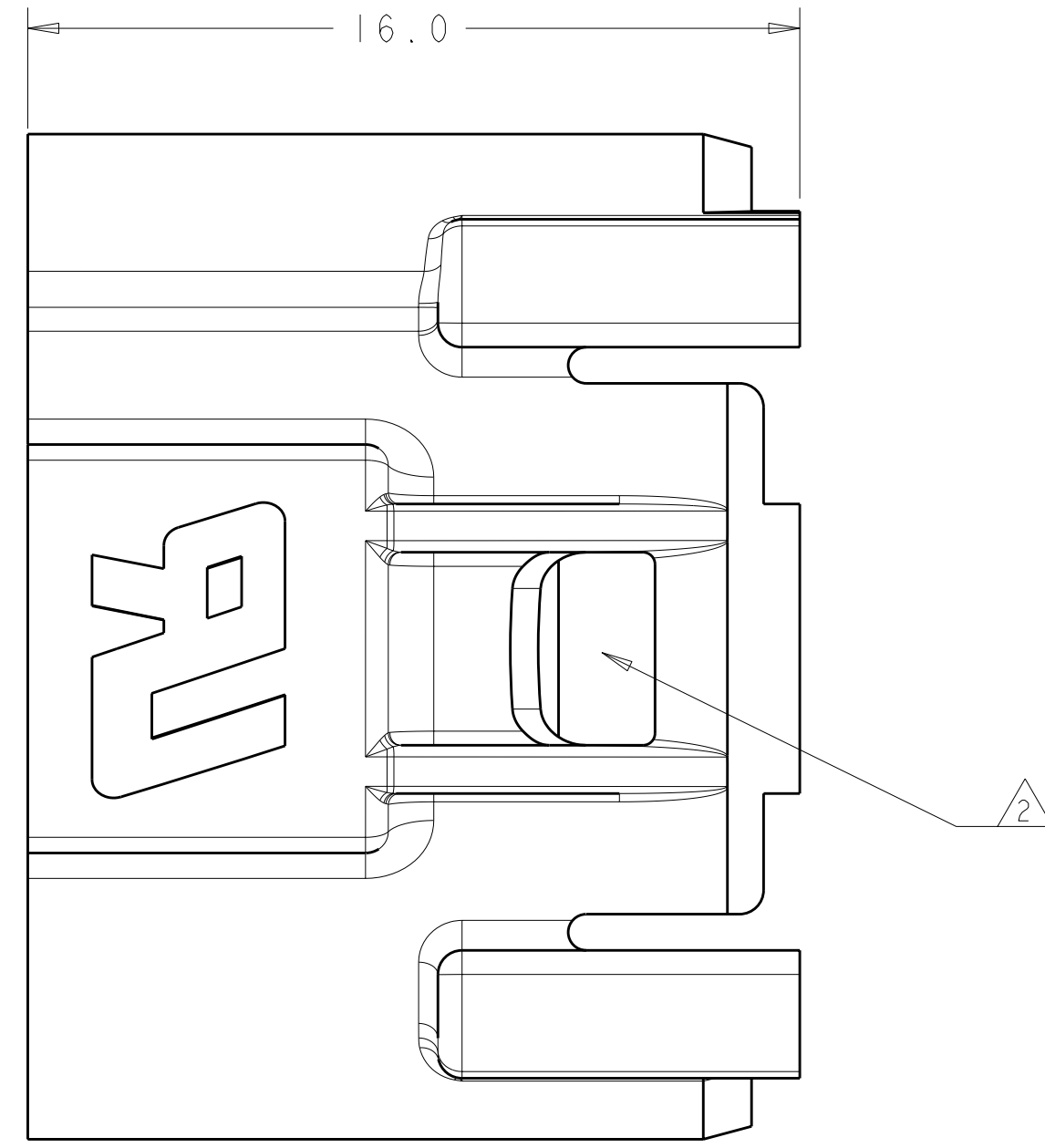
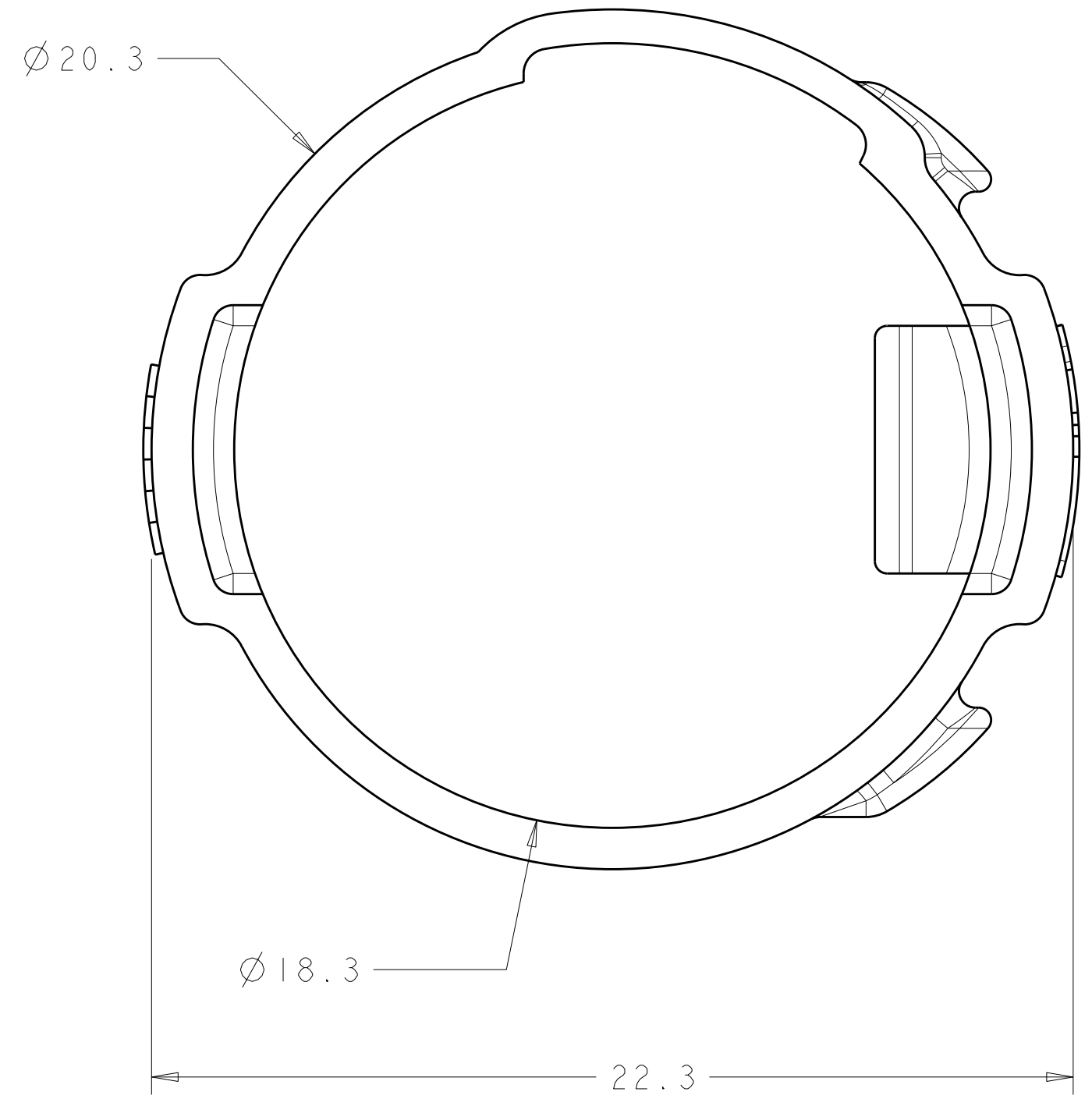
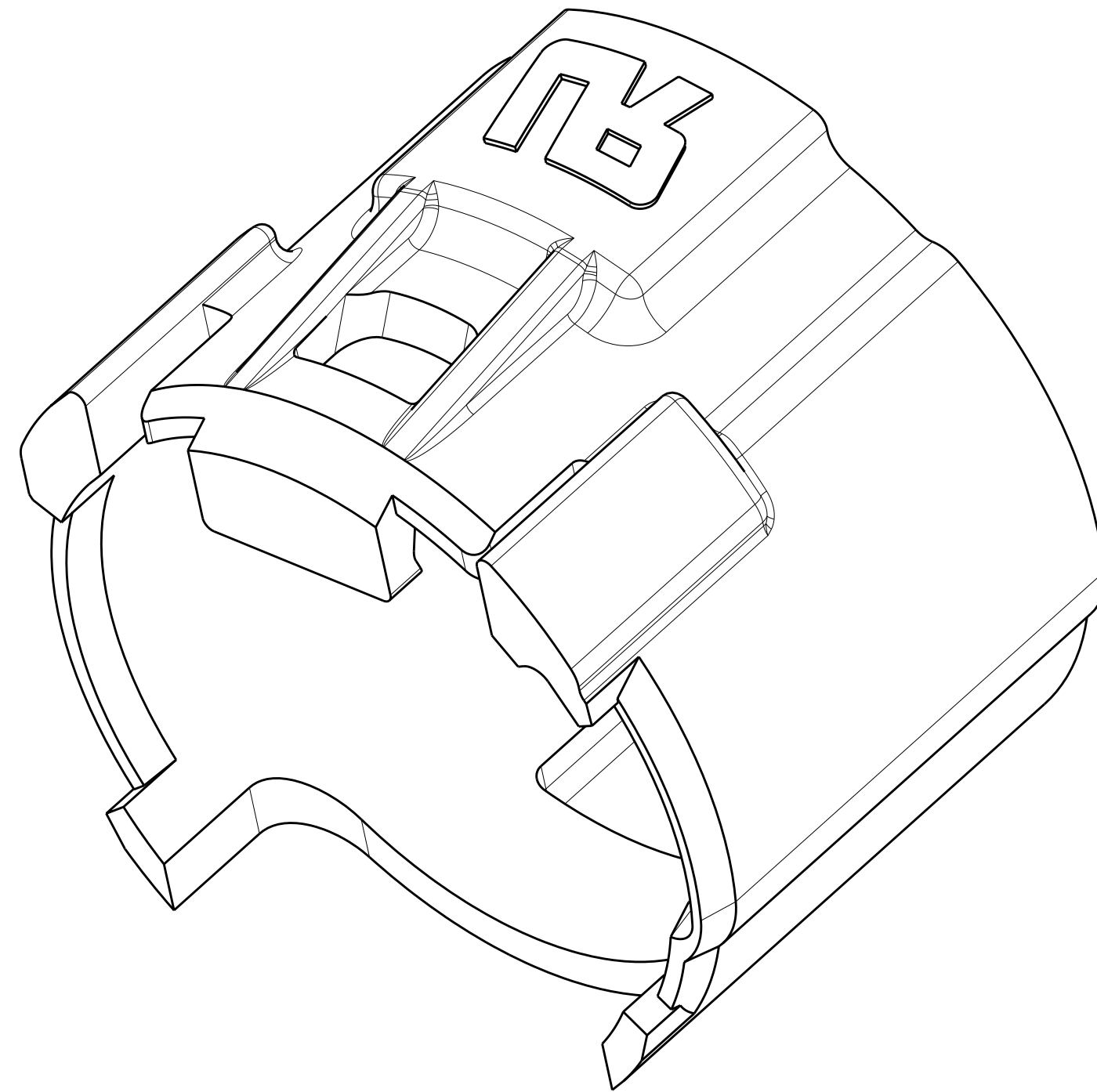
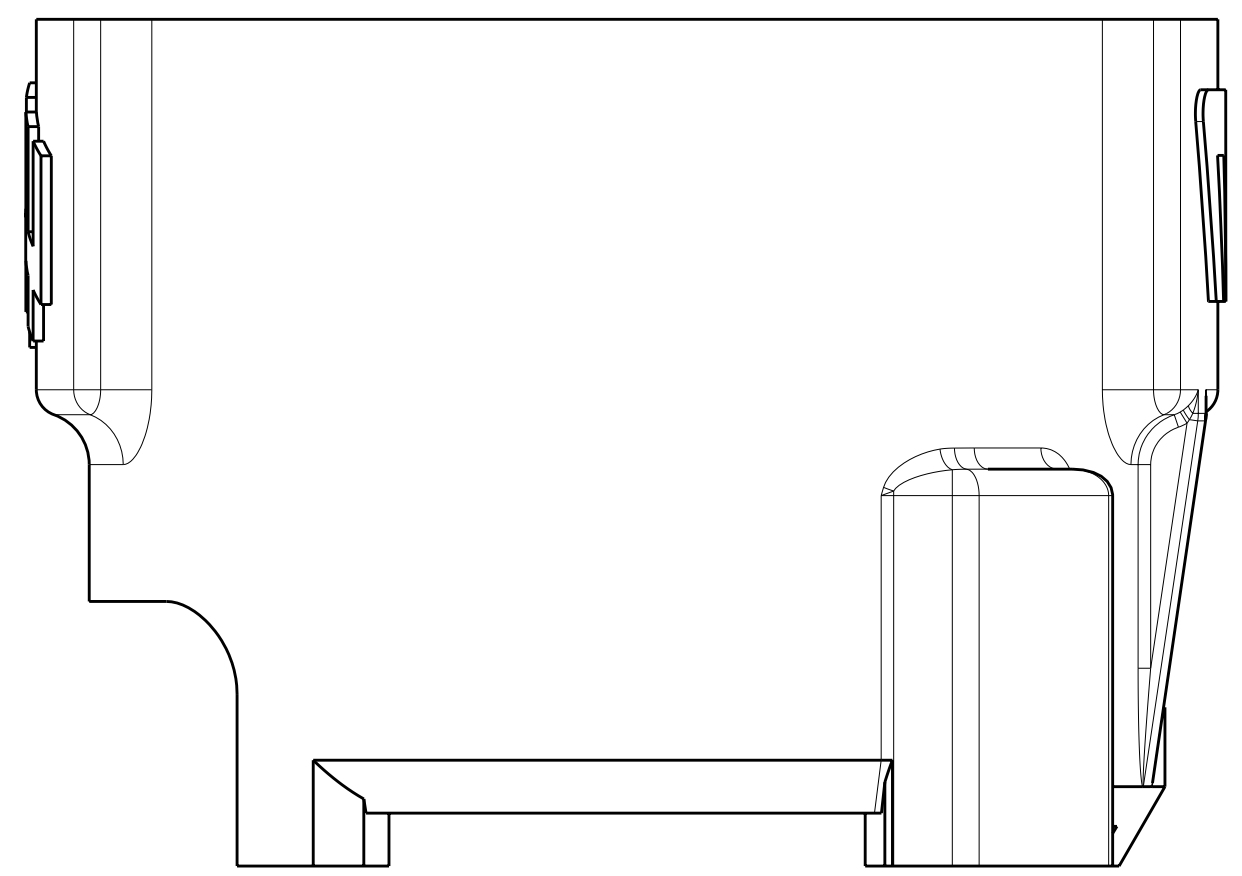


LOC	DIST	REVISIONS			
		REV	DATE	BY	APP
-	-	A	08SEP2009	SS	MS
-	-	B	23SEP2010	KT	JE
-	-	C	27SEP2010	KT	JE

1. MATERIAL: POLYCARBONATE, UL 94, UV PROTECTED, BLACK
 ⚠ FOR INSTALLATION AND EXTRACTION SOLARLOK CONNECTORS
 FLAT BLADE SCREWDRIVER TIP WIDTH MUST NOT EXCEED 3.75.



SCALE 4:1



<small>THIS DRAWING IS UNPUBLISHED. RELEASED FOR PUBLICATION BY TYCO ELECTRONICS CORPORATION. ALL RIGHTS RESERVED. THIS IS SUBJECT TO CHANGE WITHOUT NOTICE AND WITHOUT OBLIGATION. SHOULD BE CONTACTED FOR THE LATEST REVISION.</small>		DWN: PDR 06724709 CHK: PDR 06724709 APVD: PDR 06724709	Tyco Electronics Harrisburg, PA 17105-3608
DIMENSIONS: mm 	TOLERANCES UNLESS OTHERWISE SPECIFIED: 0 PLC ± 1 PLC ±0.2 2 PLC ±0.13 3 PLC ± 4 PLC ± ANGLES ± FINISH -	PRODUCT SPEC APPLICATION SPEC WEIGHT CUSTOMER DRAWING	NAME: SOLARLOK LOCKING COLLAR SIZE: A 00779 C=2106207 SCALE: 4:1 SHEET 1 OF 1 REV C