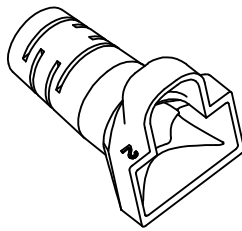
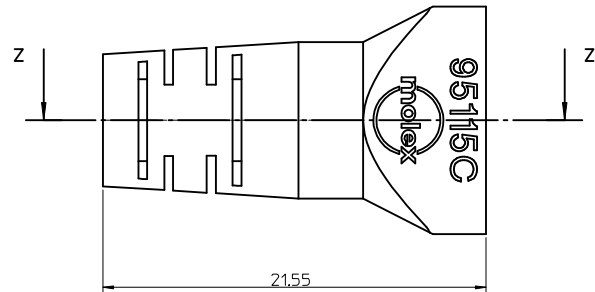
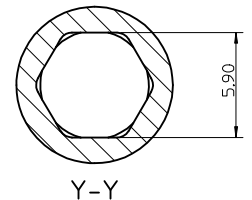
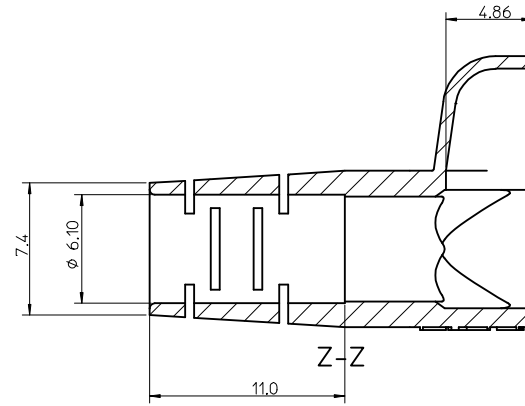
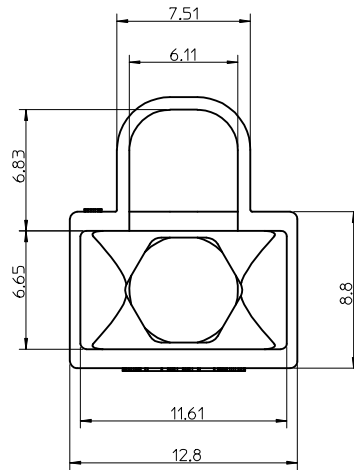
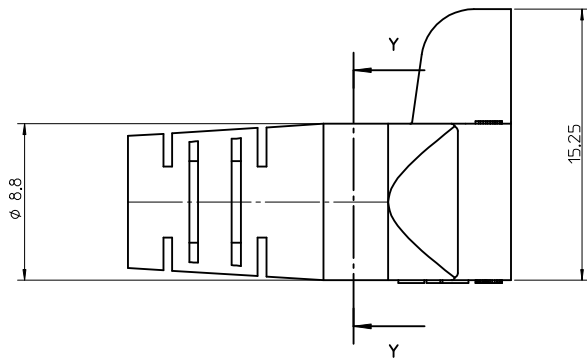
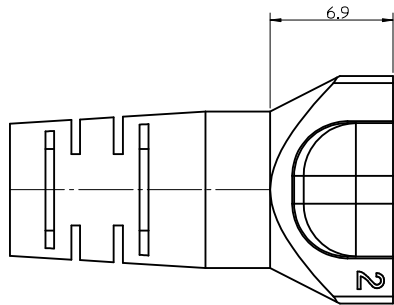


13 12 11 10 9 8 7 6 5 4 3 2 1



PART NUMBER CHART			
PART NUMBER	MARKING	COLOUR	RAL NBR
95115-4881	95115 C	BLACK	9005
95115-4882	95115 C	GREY	7035
95115-4883	95115 C	GREEN	6016
95115-4884	95115 C	RED	3000
95115-4885	95115 C	YELLOW	1021
95115-4886	95115 C	BLUE	5015
95115-4887	95115 C	ORANGE	2003



NOTES:

- 1- MATERIAL: THERMOPLASTIC RUBBER 'SANTOPRENE 251-80' FROM MONSANTO RATED UL 94 V-0. HARDNESS 80 SHORE A COLOUR: SEE CHART
- 2- EXTERNAL ASPECT AND COLOUR MUST BE UNIFORM
- 3- DIMENSIONS GIVEN ABOUT CENTRELINES ARE SYMMETRICAL ABOUT CENTRELINES WITHIN HALF THE TOTAL TOLERANCE.
- 4- NO BURRS, MARKS ALLOWED ON ALL OUTER SURFACES.
- 5- APPLICATION SPECIFICATION: AS-85568-002
- 6- PACKAGING SPECIFICATION: SEE PK-95115-001

ORIGINAL RELEASE EC NO: E2007-0982 DRAWN: DBYRNES 2007/05/24 CHKD: 2007/05/24 APPR: EOMAHONY 2007/05/25	QUALITY SYMBOLS ▽=0 ▽=0	GENERAL TOLERANCES (UNLESS SPECIFIED)		DIMENSION STYLE MM ONLY		SCALE 5:1	DESIGN UNITS METRIC	THIRD ANGLE PROJECTION	
		4 PLACES ± --- ± ---	mm INCH	DRAWN BY DBYRNES	DATE 2007/05/22	TITLE ROUND CABLE BOOT WITH LATCH PROTECTION FOR MODULAR PLUG			
		3 PLACES ± --- ± ---	± 0.20 ± ---	CHECKED BY EOMAHONY	DATE 2007/05/23	MOLEX INCORPORATED			
		2 PLACES ± 0.3 ± ---	ANGULAR ± .5 °	APPROVED BY EOMAHONY	DATE 2007/05/23	SD-95115-001			
1 PLACE ± 0.3 ± ---	DRAFT WHERE APPLICABLE MUST REMAIN WITHIN DIMENSIONS	SEE CHART		MATERIAL NO.	DOCUMENT NO.	SHEET NO. 1 OF 1			
A	REV	THIS DRAWING CONTAINS INFORMATION THAT IS PROPRIETARY TO MOLEX INCORPORATED AND SHOULD NOT BE USED WITHOUT WRITTEN PERMISSION							

13 12 11 10 9 8 7 6 5 4 3 2 1