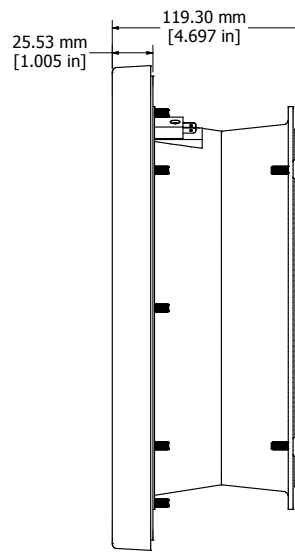
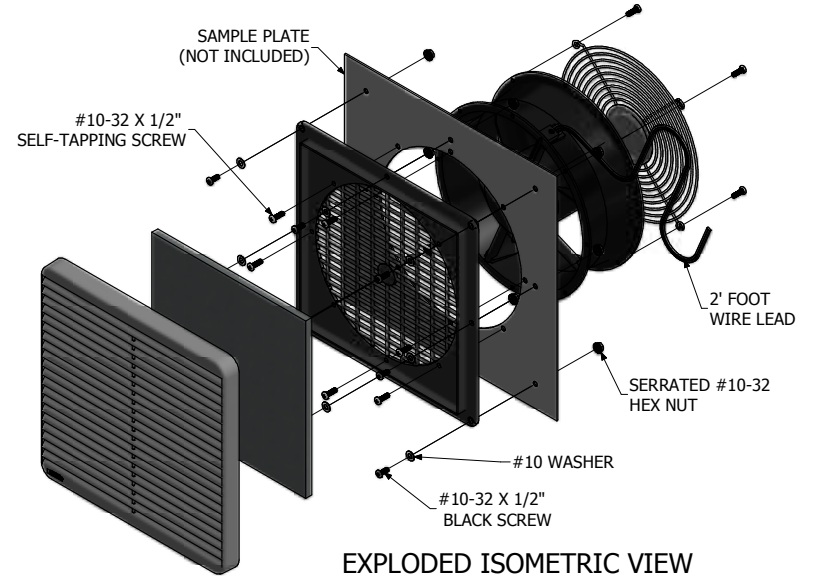


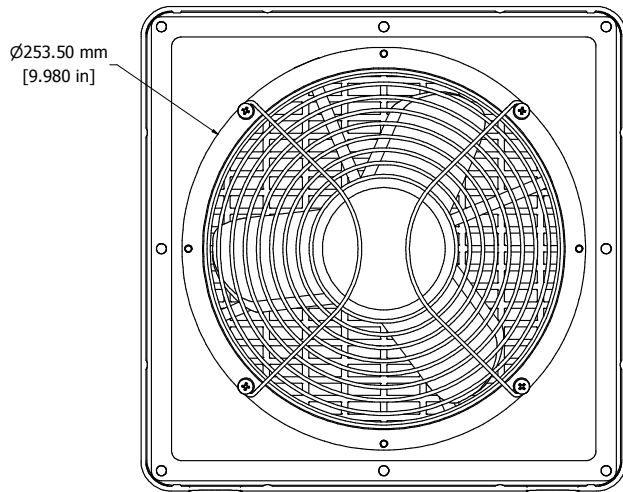
ASSEMBLY - VIEW FROM FRONT



ASSEMBLY - VIEW FROM SIDE



EXPLODED ISOMETRIC VIEW



ASSEMBLY - VIEW FROM BACK

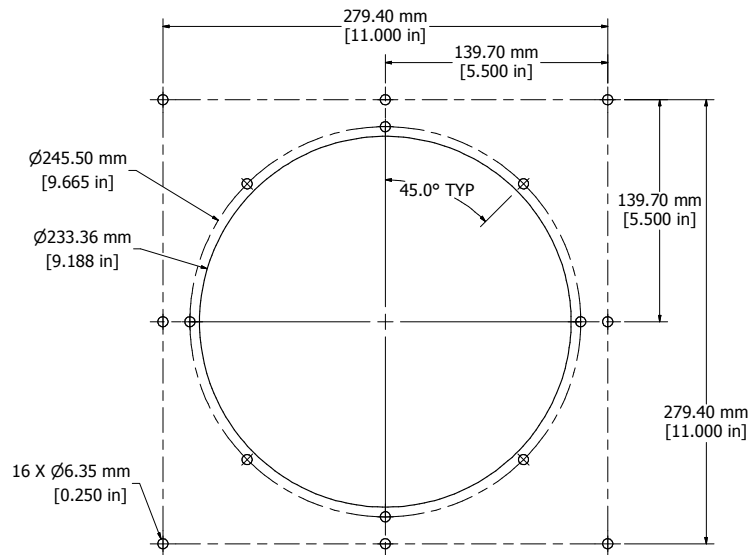


PLATE CUTOUT

<b>DNFF254**115</b>
Finish - Front Screen - ABS Plastic
- Back Panel - ABS Plastic
Rated - 115 VAC, 50/60 Hz, 0.29 Amps
Free Flow Air Delivery - 550 CFM
<b>Colours</b>
DNFF254BK115 - Black
DNFF254CG115 - Gray/Beige
DNFF254GY115 - Gray
DNFF254LG115 - Light Gray
<b>Hardware</b>
12 Screws - Panhead Self-tapping 10-32 x 1/2"
8 Screws - Black Panhead #10-32 x 1/2"
8 Washers - #10 Flat Washer
8 Nuts - #10-32 Serrated Nut
<b>Accessories</b>
PFF6000 - Standard Filter Media (Pkg of 5)
PLFF6000 - Pleated Filter Media (Pkg of 5)

