

- PoE+ application with 720mA current capability
- Designed to meet IEEE802.3at
- Operating Temperature Range: 0°C to +70°C

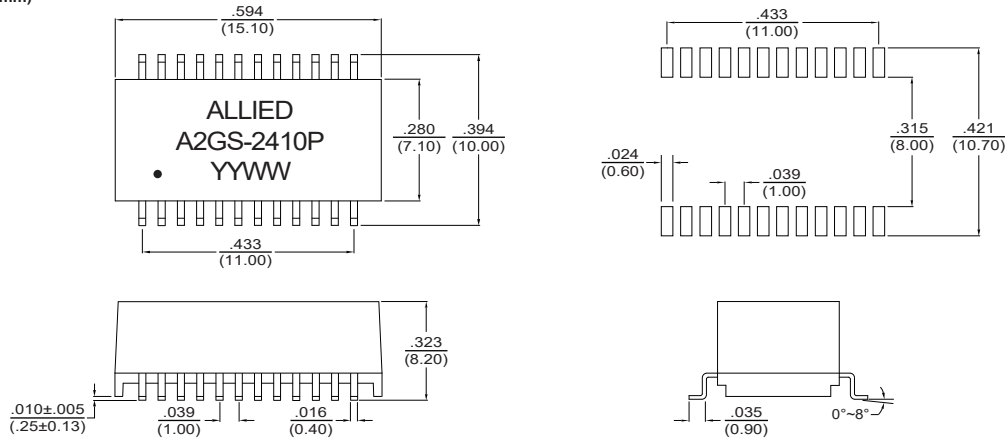
Electrical Specifications @ 25°C				
OCL(μH Min) @ 100kHz, 100mV	Turns Ratio (±3%)	Return Loss (dB Min)		
		1-40MHz	125MHz	200MHz
160	1CT: 1CT	-19	-14	-11

Electrical Specifications @ 25°C				
InsertionLoss (dB Min)	Cross Talk (dB Min)	CMRR (dB Min)	HI-POT (Vrms)	
1-100MHz	100-125MHz	1-200MHz	1-200MHz	1500
-1.0	-1.5	-20	-25	

All specifications subject to change without notice.

### MECHANICAL

Dimensions:  $\frac{\text{inch}}{\text{mm}}$



### SCHEMATICS

Unless otherwise specified, all tolerances are ±.010(0.25)

