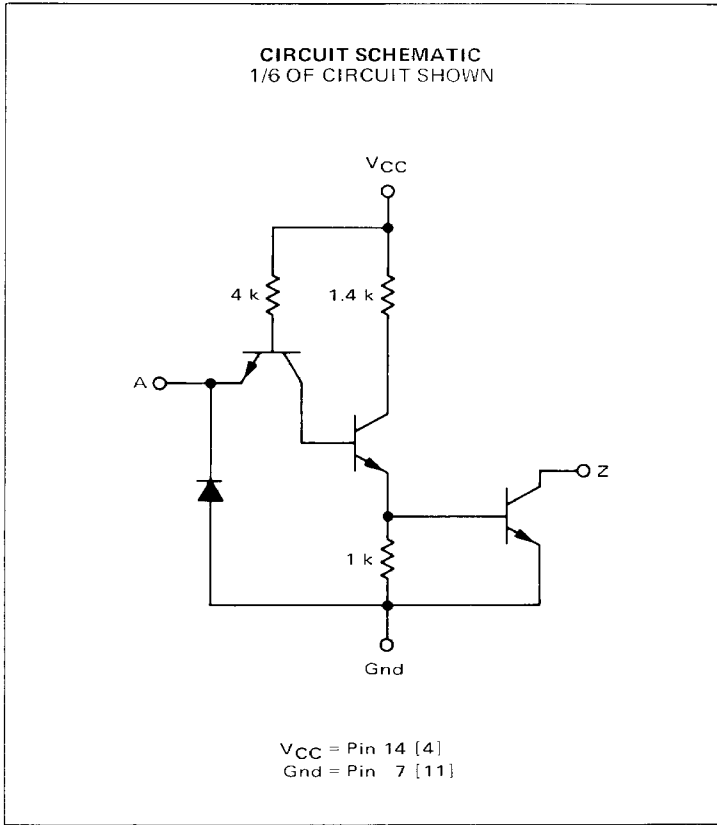


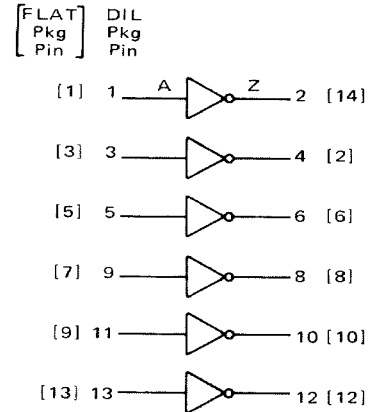


**MC5405 • MC7405**

Add Suffix F for TO-86 ceramic package (Case 607).  
 Suffix L for TO-116 ceramic package (Case 632).  
 Suffix P for TO-116 plastic package (Case 605) MC7405 only.



This device consists of six independent inverting gates with no output pullup circuits. It can be used where the Wired-OR function is required, or for driving discrete components.



Positive Logic:  $Z = \bar{A}$

Input Loading Factor = 1  
 Output Loading Factor = 10  
 Total Power Dissipation = 60 mW typ/pkg  
 Propagation Delay Time = 35 ns typ

