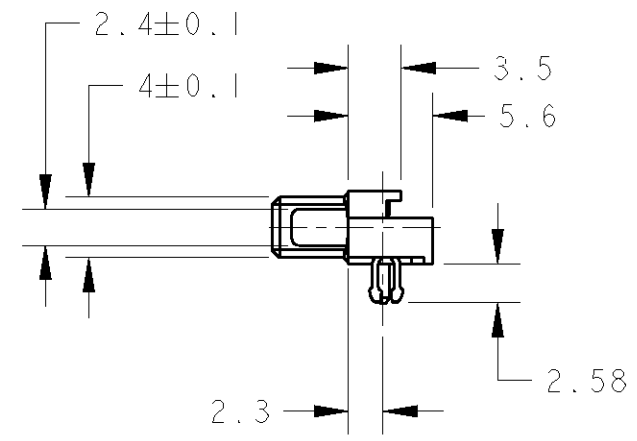
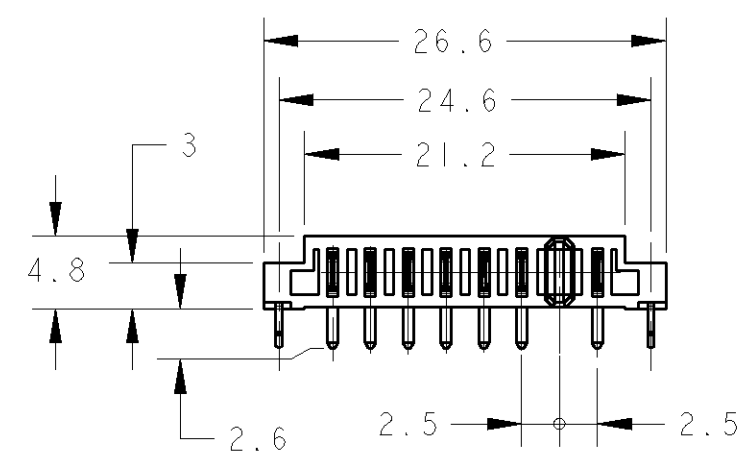
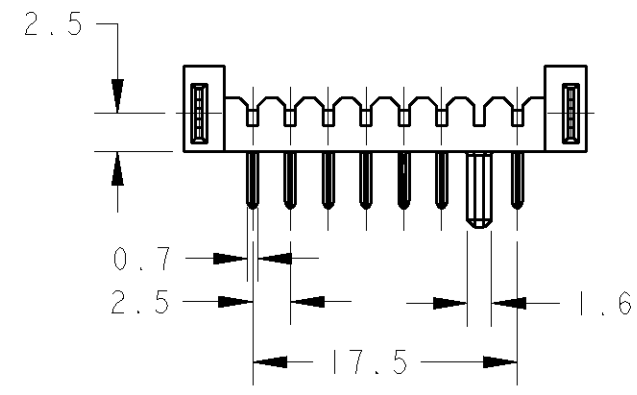
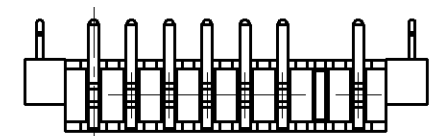


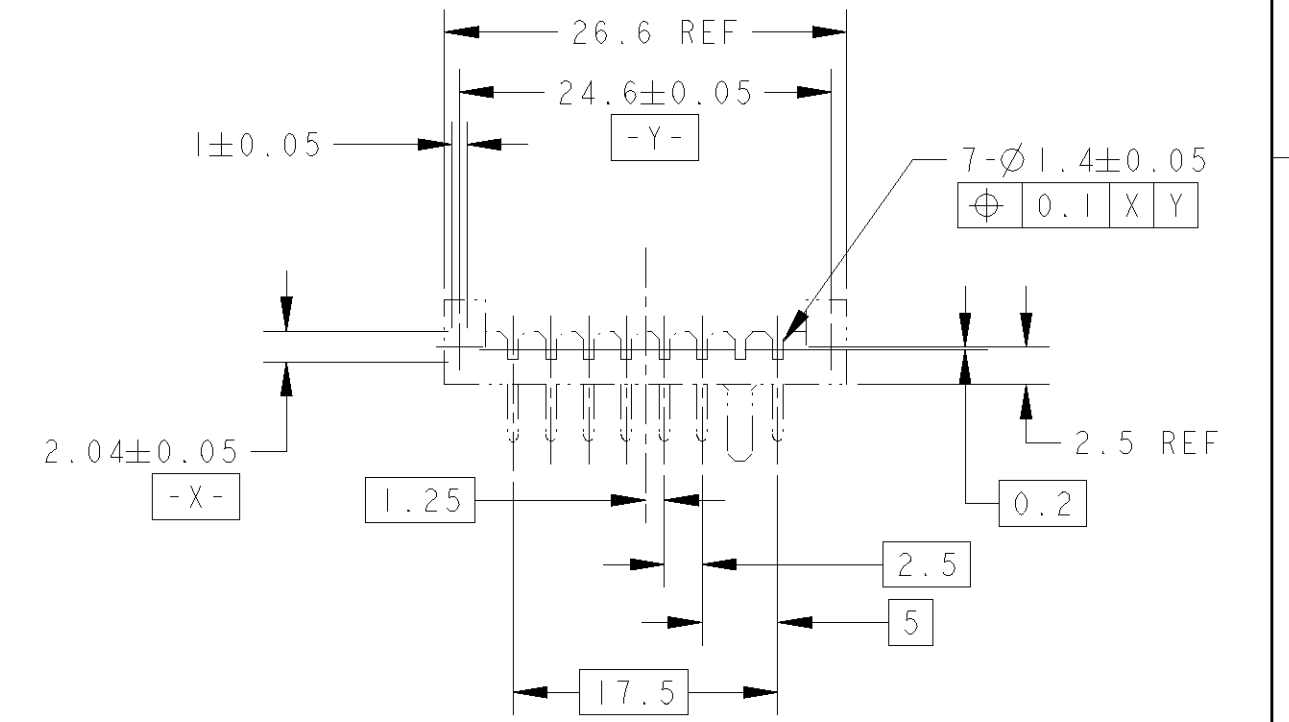
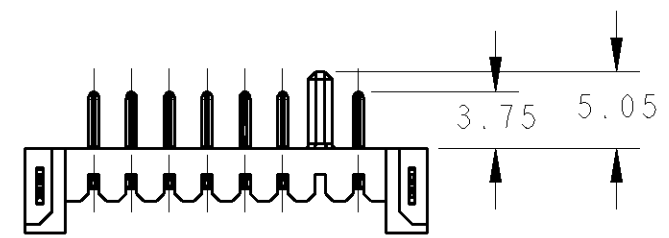
THIS DRAWING IS UNPUBLISHED. RELEASED FOR PUBLICATION 20  
 © COPYRIGHT 20 BY TYCO ELECTRONICS CORPORATION. ALL RIGHTS RESERVED.

LOC	DIST	REVISIONS					
		P	LTR	DESCRIPTION	DATE	DWN	APVD
J	-	A		RELEASED	21 JUN07	T.K	K.I

D



B



REFERENCE P.C. BOARD LAYOUT  
 P.C. BOARD THK 1.6 NOMINAL  
 (VIEW FROM CONNECTOR MOUNTING SIDE)

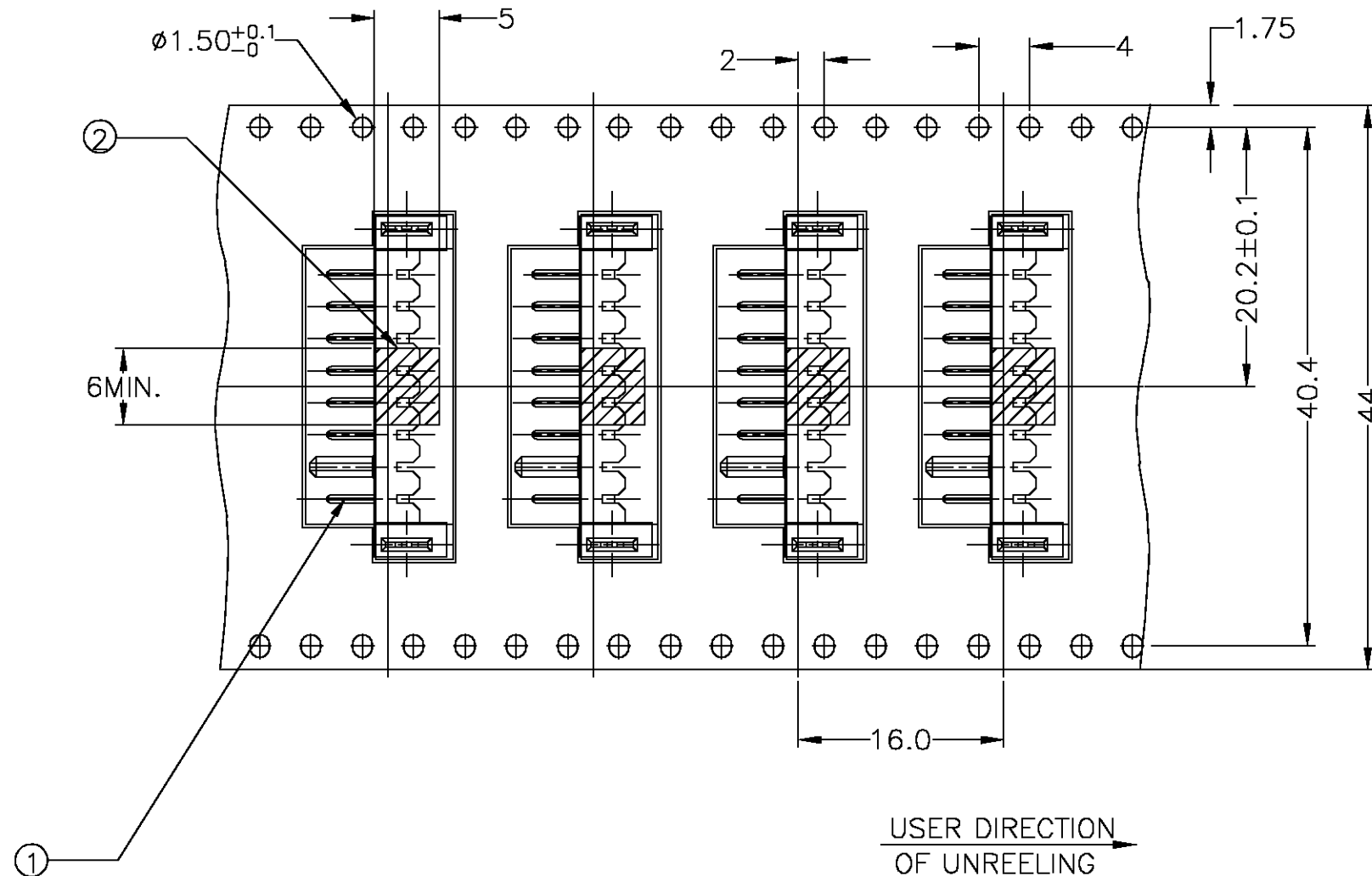
- 1 MATERIAL  
 HOUSING: THERMOPLASTIC RESIN, UL94V-0, BLACK  
 CONTACT: COPPER ALLOY  
 RETENTION LEG: COPPER ALLOY
- 2 FINISH  
 CONTACT: NICKEL ALL OVER UNDER PLATING  
 GOLD PLATING 0.76µm MIN. AT CONTACT AREA  
 GOLD FLASH PLATING 0.05~0.25µm AT LEAD AREA  
 RETENTION LEG: NICKEL ALL OVER UNDER PLATING  
 TIN PLATING

1981583-1: AS SHOWN

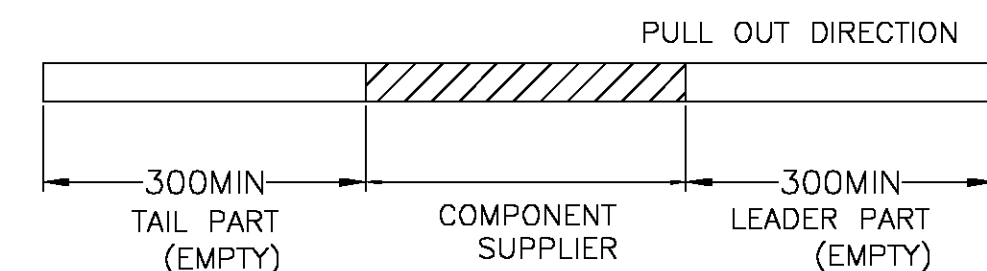
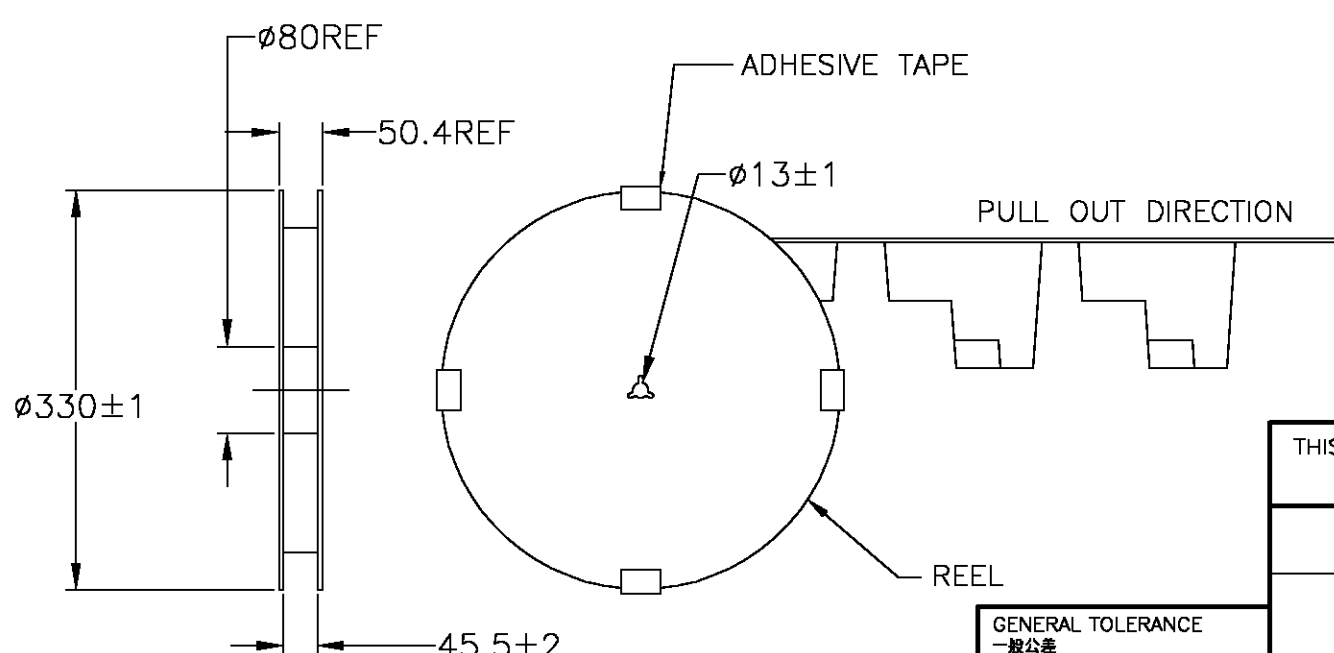
A

THIS DRAWING IS A CONTROLLED DOCUMENT FOR TYCO ELECTRONICS CORPORATION IT IS SUBJECT TO CHANGE AND THE CONTROLLING ENGINEERING ORGANIZATION SHOULD BE CONTACTED FOR THE LATEST REVISION.		DWN T.KATANO 21 JUN07 CHK K.IKEGAMI 21 JUN07 APVD K.IKEGAMI 21 JUN07		Tyco Electronics Corporation Kawasaki, Japan	
DIMENSIONS: 单位: 毫 mm		TOLERANCES UNLESS OTHERWISE SPECIFIED: 一般公差 ±0.3 0-PLC ± 1-PLC ± 2-PLC ± 3-PLC ± 4-PLC ± ANGLES ±3°		NAME 2.5mm PITCH BATTERY CONNECTOR 名称 PLUG ASSEMBLY 7POS.	
		PRODUCT SPEC 製品規格 108-5775		SIZE A3 CAGE CODE 00-779 DRAWING NO. 1981583 RESTRICTED TO -	
MATERIAL 材料 1		FINISH 仕上 2		APPLICATION SPEC 取付適用規格 - WEIGHT - CUSTOMER DRAWING SCALE 2:1 SHEET 1 OF 2 REV A	

LOC	DIST	REVISIONS					
J		P	LTR	DESCRIPTION	DATE	DWN	APVD
		-		SEE SHEET 1	-	-	-



3. 500PCS/REEL  
 4. PEELING RESISTANCE: 0.1 TO 0.7N  
 (PEELING SPEED : 300mm/MINUTES)



1	KAPTON TAPE 6x5	②
1	PLUG ASSY 7P	①
QYT	NAME	ITEM NO.

GENERAL TOLERANCE  
 一般公差

10 ≥ : ±0.2  
 30 ≥ > 10 : ±0.25  
 100 ≥ > 30 : ±0.3  
 ANGLES: ±3'

THIS DRAWING IS A CONTROLLED DOCUMENT.

DWN	T.KATANO	21JUN07
CHK	K.IKEGAMI	21JUN07
APVD	K.IKEGAMI	21JUN07

PRODUCT SPEC  
製品規格

APPLICATION SPEC  
取付適用規格

WEIGHT

CUSTOMER DRAWING

Tyco Electronics Corporation  
Kawasaki, Japan

2.5mm PITCH BATTERY CONNECTOR  
PLUG ASSEMBLY 7POS.

SIZE: A3 CAGE CODE: 00779 DRAWING NO: 1981583 RESTRICTED TO: -

SCALE: 尺度 NON SHEET: 2 OF 2 REV: A