

LTE ANTENNA

Antenna LTE Mounting,
SMA(m), RG174/3m

BB-AO-ALTE-36S

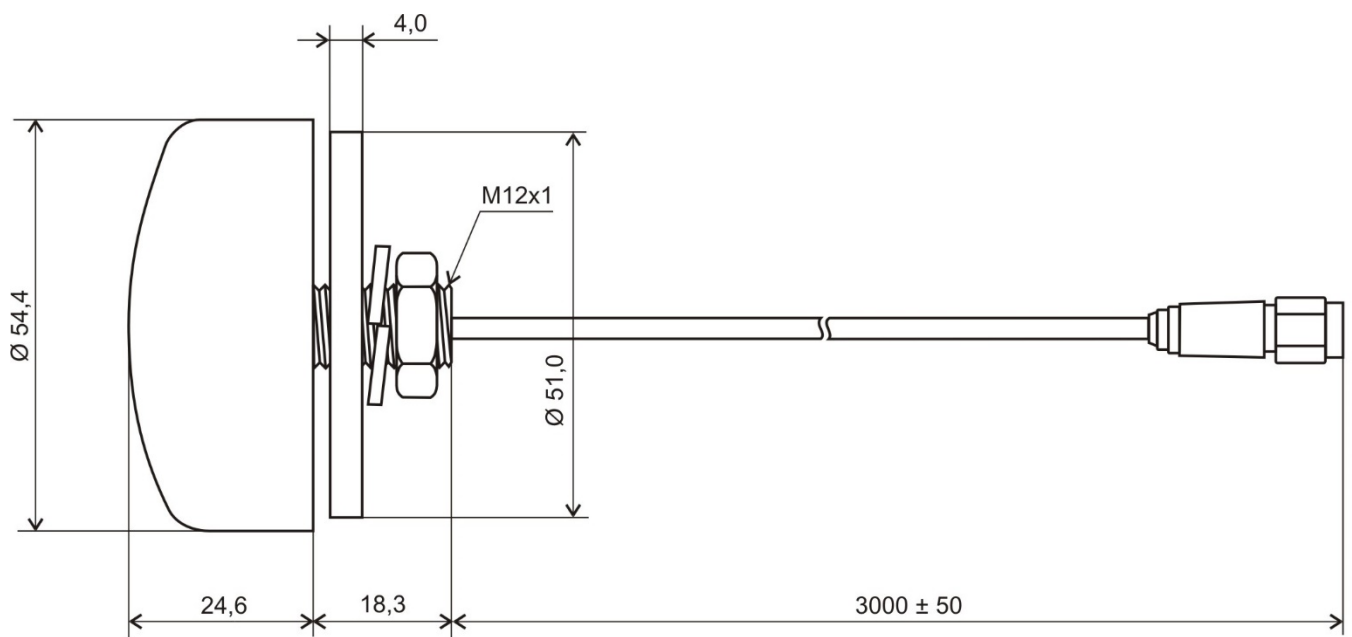
BENEFITS

- Low VSWE
- High frequency range
- Easy installation



| | |
|-----------------------|---|
| Technology | LTE |
| Frequency bands | 700/800/900/1700/1800/2100/2500/2600/2700 MHz |
| Bandwidth | - |
| Gain | 2 dBi |
| VSWR | <2.0:1 |
| Impedance | 50 Ohm |
| Directivity | Omnidirectional |
| Beam angle | H 360° V 30° |
| Polarization | Linear |
| Maximum input power | 10 W |
| Power voltage | - |
| Dimensions | Ø54.4 x 24.6 mm |
| Weight | 110.24 g |
| Operating temperature | -30 to +80 °C |
| Execution | External |
| Method of attachment | Mounting |
| Cable type | RG174/U |
| The cable length | 3 m |
| Connector type | SMA(m) |

DRAWING



UNIT: mm