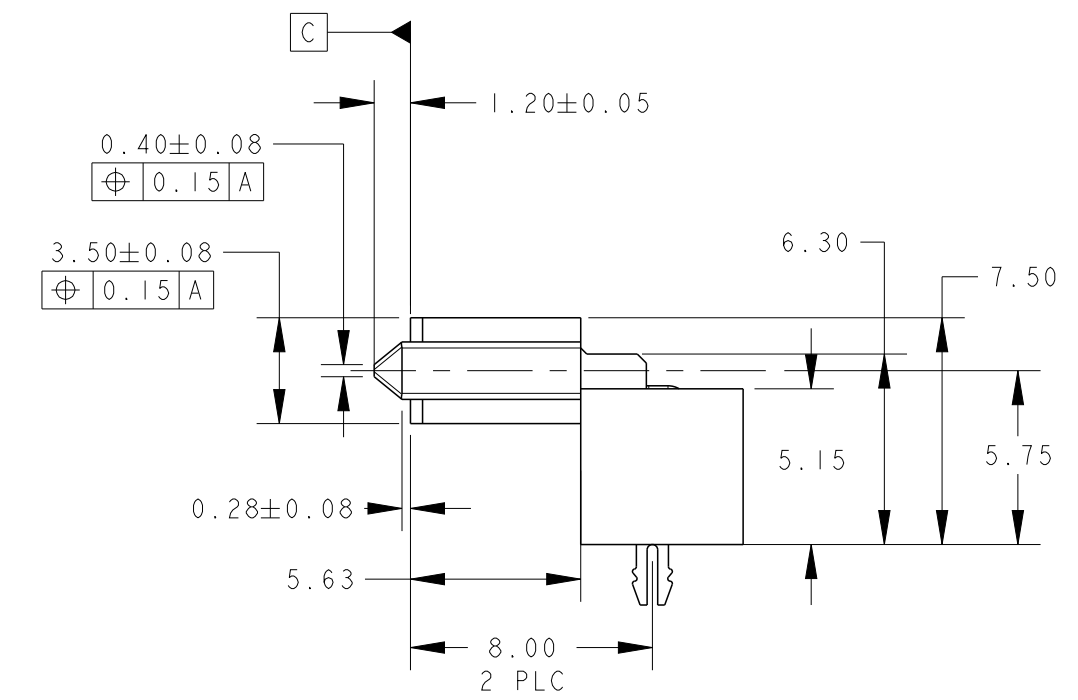
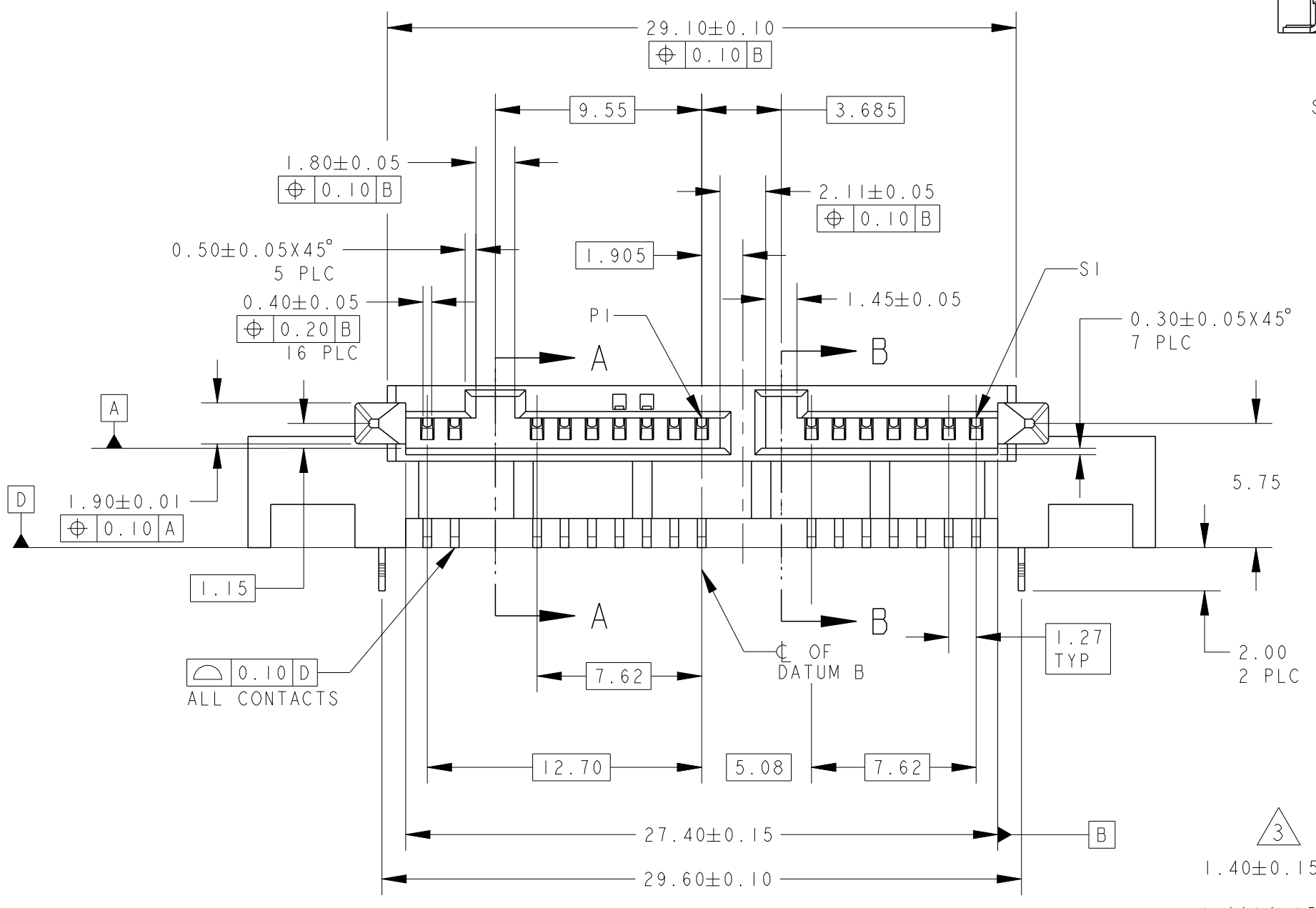
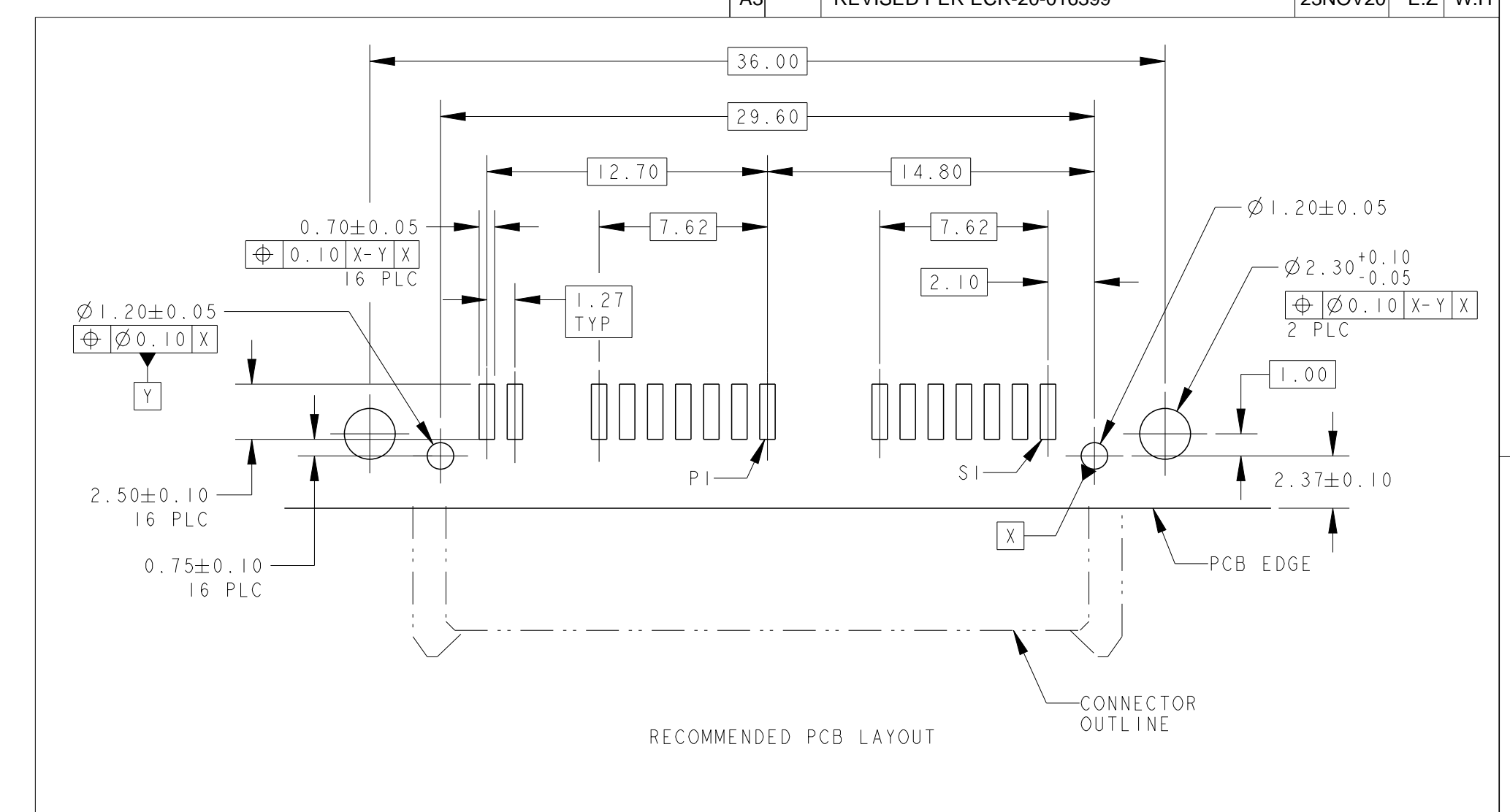
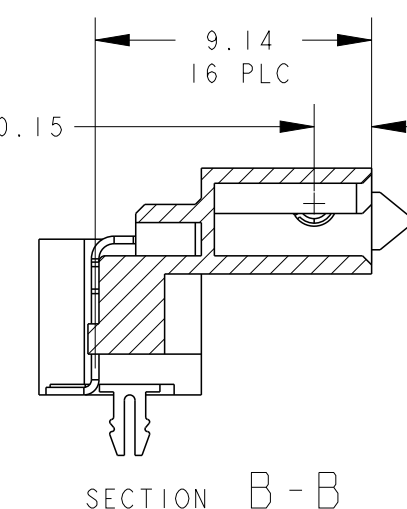
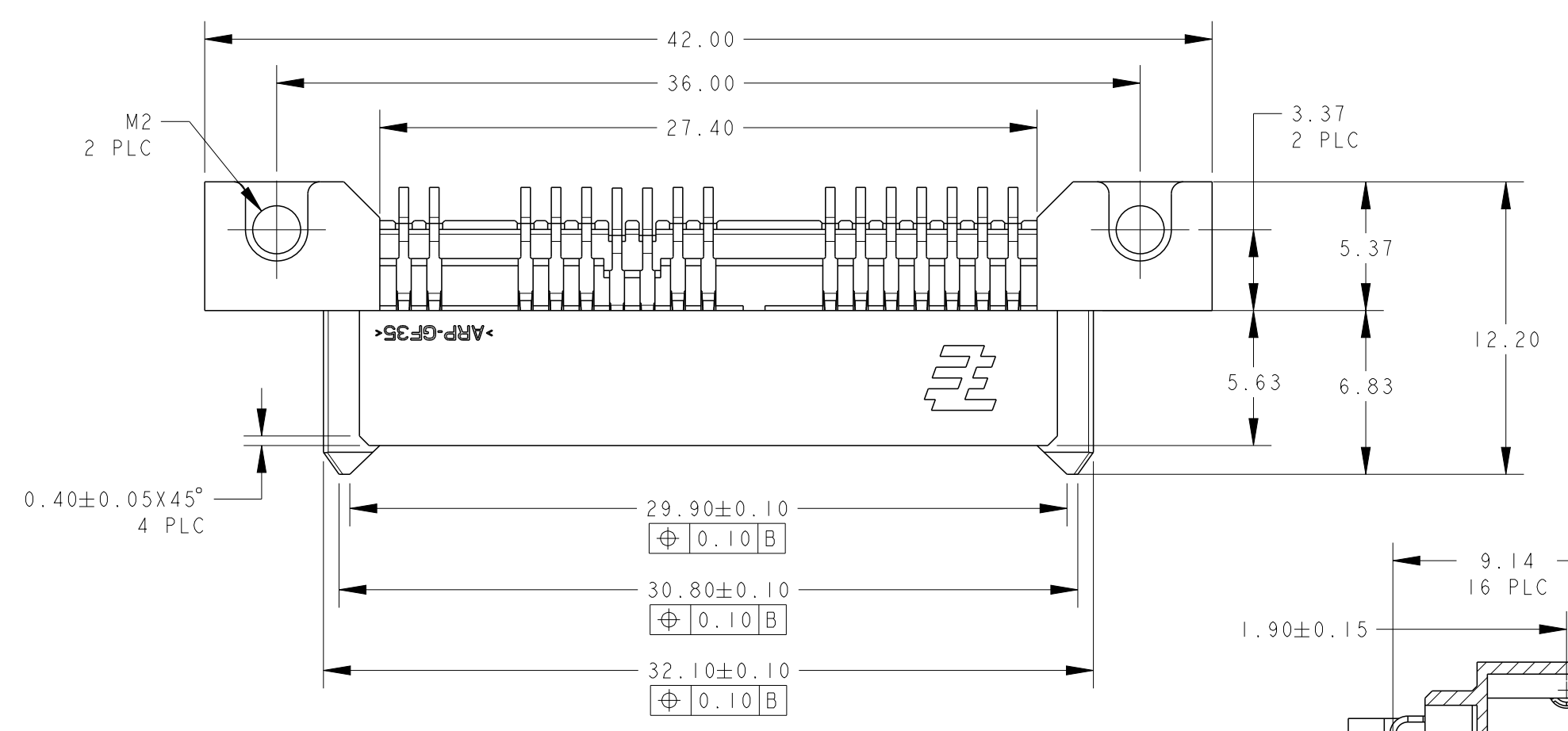


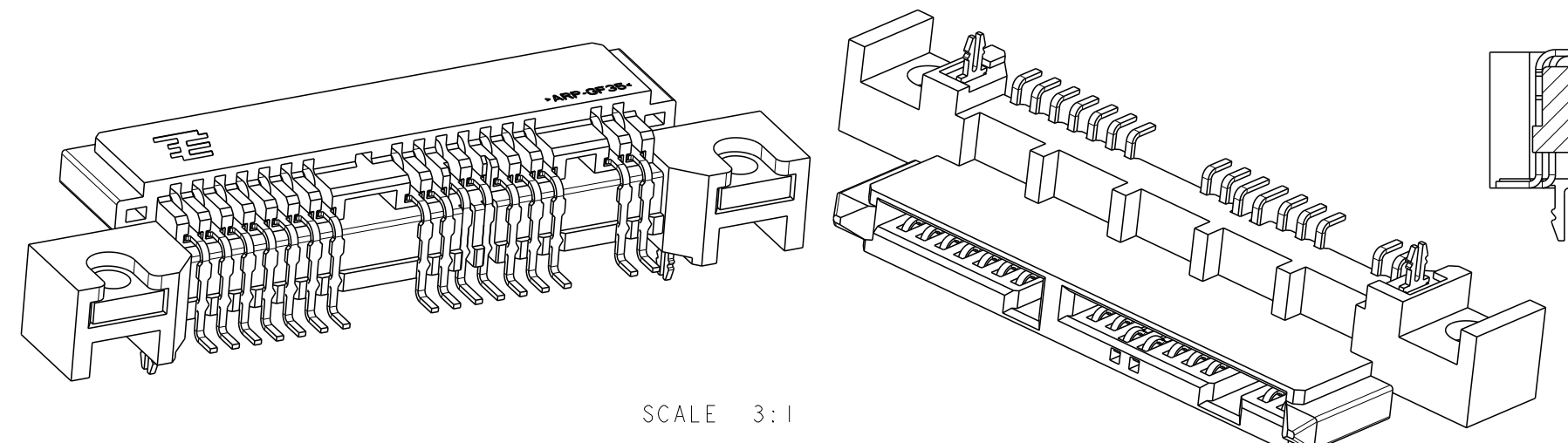
THIS DRAWING IS UNPUBLISHED. RELEASED FOR PUBLICATION 20
 © COPYRIGHT 20 BY - ALL RIGHTS RESERVED.

LOC		DIST		REVISIONS			
P	LTR	DESCRIPTION		DATE	DWN	APVD	
A3		REVISED PER ECR-20-016399		23NOV20	E.Z	W.H	

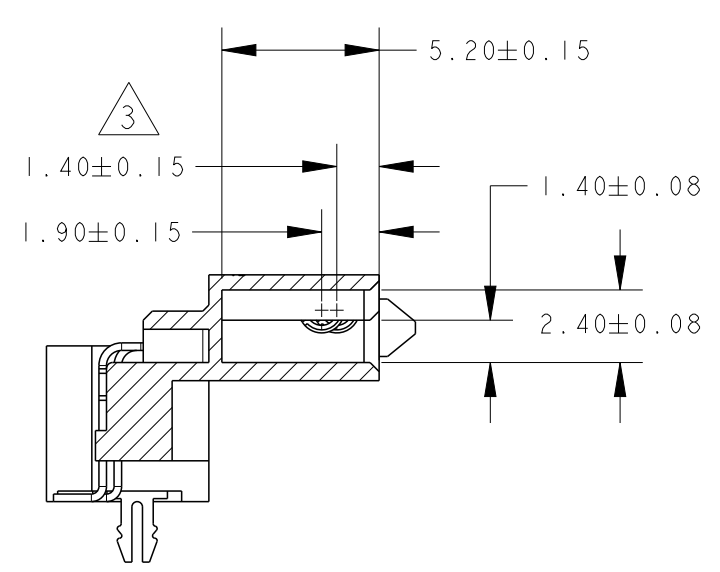


NOTES:

- MATERIAL:
 HOUSING: HIGH TEMP THERMOPLASTIC, UL94V-0, COLOR: BLACK
 CONTACT: COPPER ALLOY
 BOARDLOCK: COPPER ALLOY
 M2 NUT: STEEL
- FINISH:
 CONTACT MATING AREA: GOLD PLATING OR GOLD FLASH OVER
 PALLADIUM-NICKEL (REFER TO TABLE)
 CONTACT SOLDER TAIL: MIN 2.54µm MATTE TIN PLATING
 BOARDLOCK: MIN 2.54µm MATTE TIN PLATING
 UNDERPLATE: MIN 1.27µm NICKEL PLATING ALL OVER
- PIN #P3 AND #P4 ONLY



SCALE 3:1

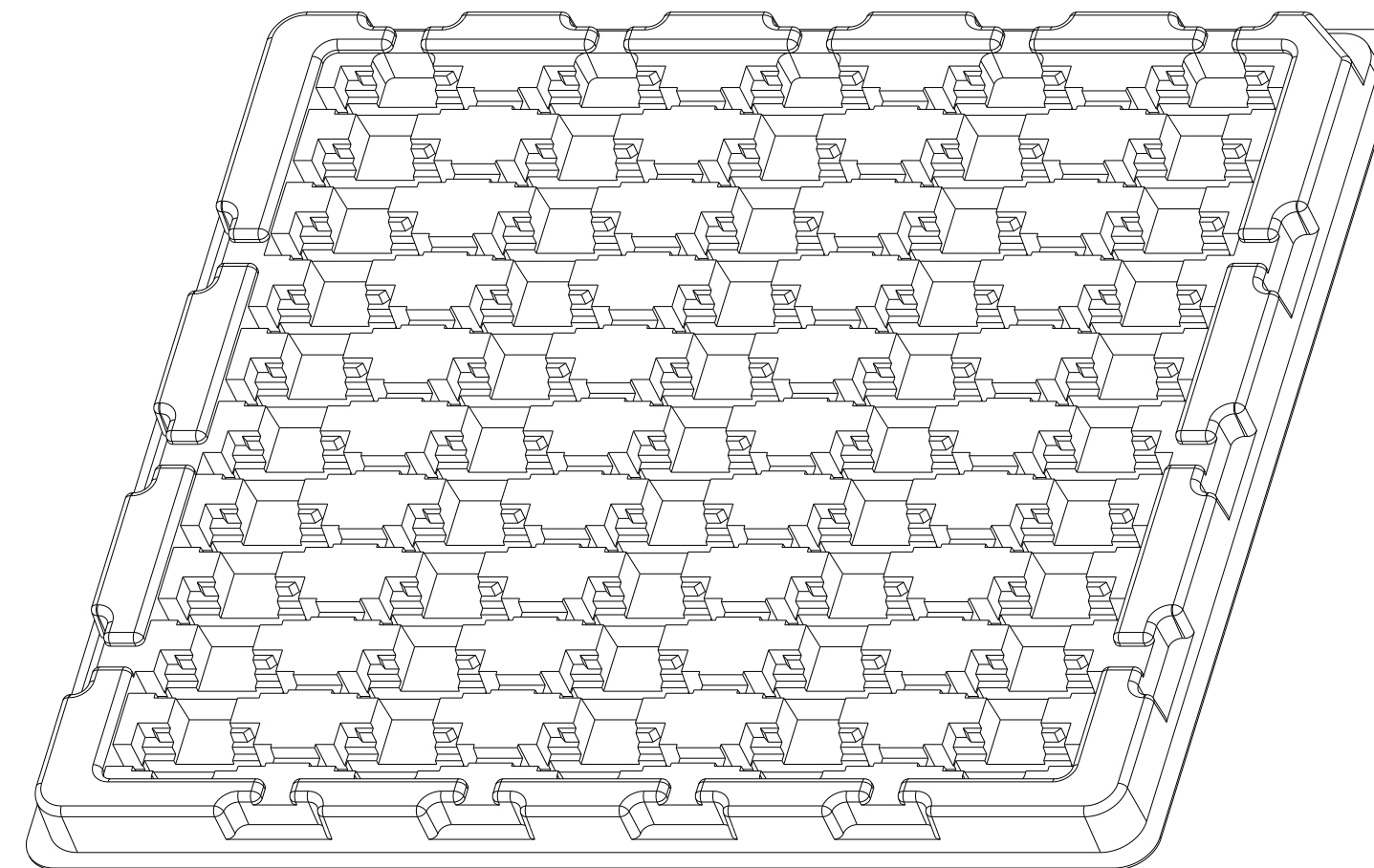
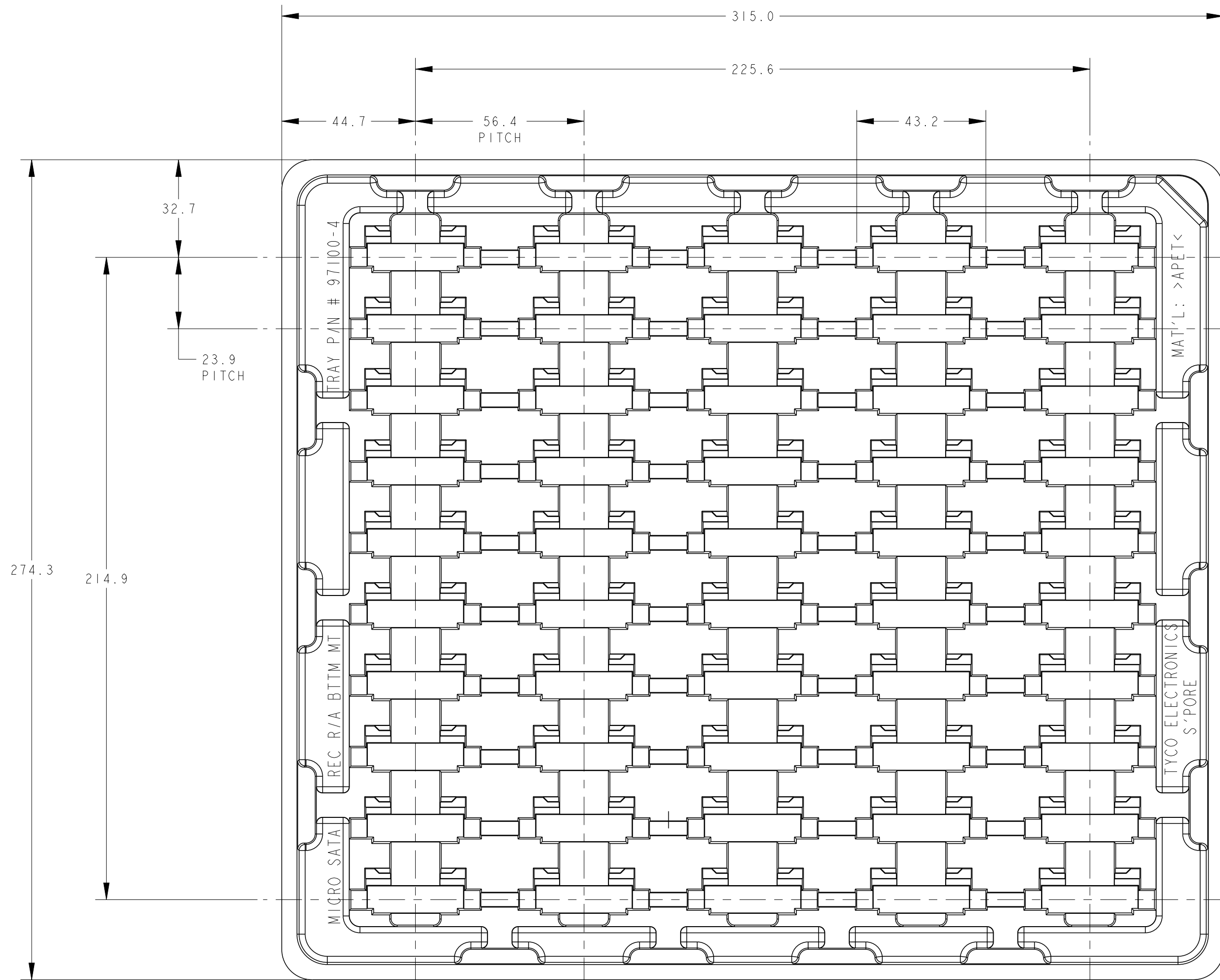


SECTION A-A

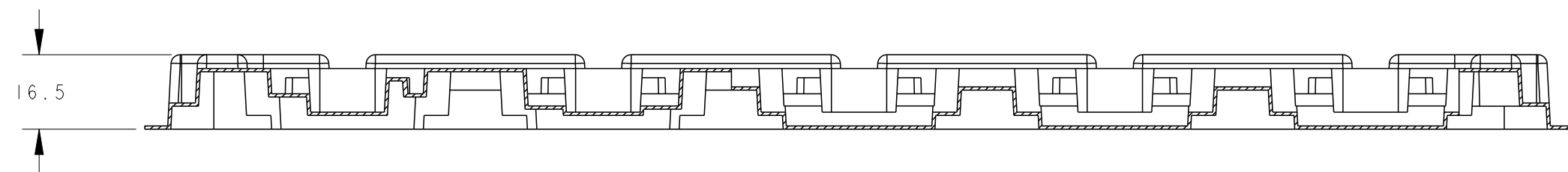
THIS DRAWING IS A CONTROLLED DOCUMENT.		DWN TY PANG	12NOV2007	TE Connectivity MICRO SATA RECEPTACLE, 16P RIGHT ANGLE, SMT BOTTOM MOUNT, H5.75			
DIMENSIONS: mm		CHK SF LEONG	04JAN2008				
TOLERANCES UNLESS OTHERWISE SPECIFIED:		APVD SF LEONG	04JAN2008				
0 PLC ± 1 PLC ± 2 PLC ±0.20 3 PLC ± 4 PLC ± ANGLES ±3° FINISH		PRODUCT SPEC	-				
MATERIAL	1	APPLICATION SPEC	-	SIZE	CAGE CODE	DRAWING NO	RESTRICTED TO
		WEIGHT	-	A200779	C-1735583		
CUSTOMER DRAWING				SCALE 4:1	SHEET 1 OF 3	REV A3	

THIS DRAWING IS UNPUBLISHED. RELEASED FOR PUBLICATION 20
 © COPYRIGHT 20 BY - ALL RIGHTS RESERVED.

LOC	DIST	REVISIONS				
P	LTR	DESCRIPTION	DATE	DWN	APVD	
DY	-	SEE SHEET 1	-	-	-	



4. PACKAGE MATERIAL TRAY: APET

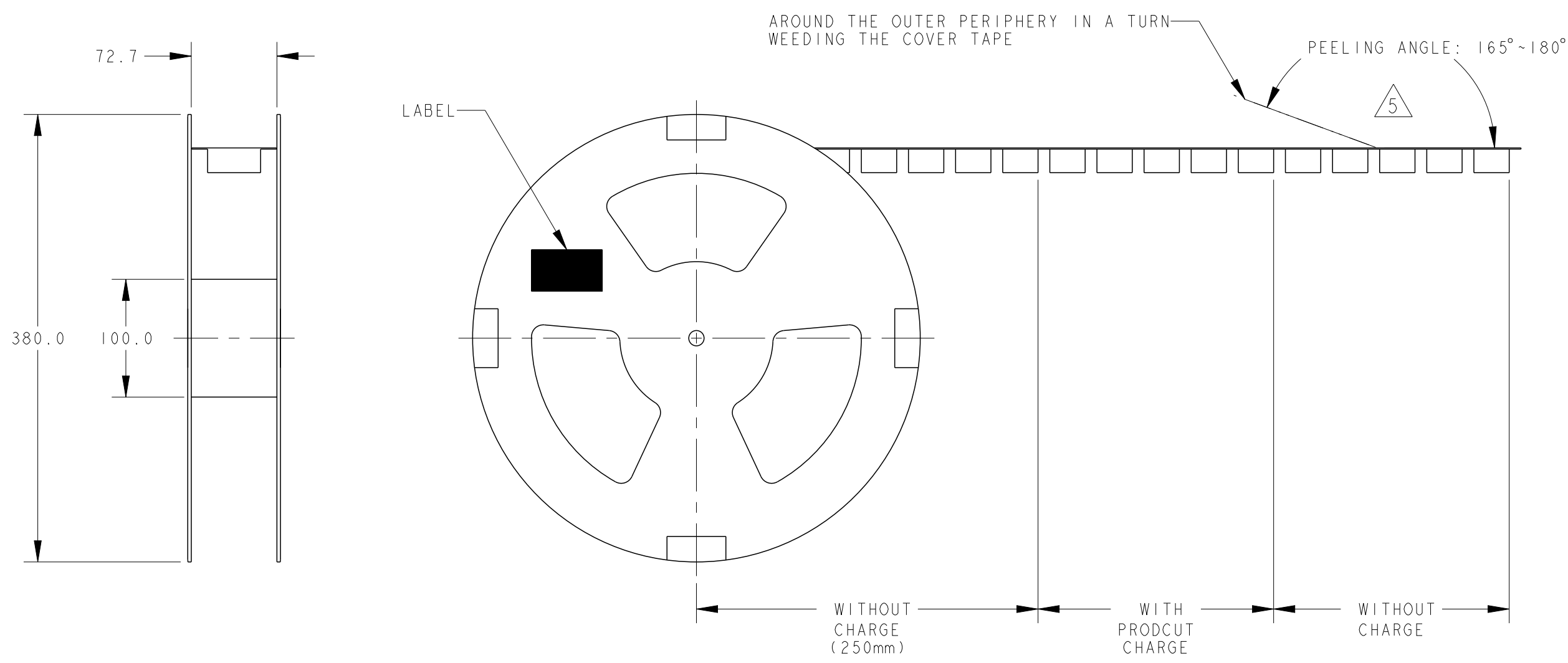


50	11	550	1735583-3
			1735583-2
			1735583-1
PCS/TRAY	TRAY/BOX	PCS/BOX	PART NUMBER

THIS DRAWING IS A CONTROLLED DOCUMENT.		DWN	STE TE Connectivity	
DIMENSIONS: mm		CHK		
TOLERANCES UNLESS OTHERWISE SPECIFIED:		APVD	NAME MICRO SATA RECEPTACLE, 16P RIGHT ANGLE, SMT BOTTOM MOUNT, H5.75	
0 PLC ±		PRODUCT SPEC		
1 PLC ±3		APPLICATION SPEC	SIZE	CAGE CODE
2 PLC ±2		WEIGHT	A2	00779
3 PLC ±1		CUSTOMER DRAWING	DRAWING NO	1735583
4 PLC ±			RESTRICTED TO	-
ANGLES ±3°			SCALE	NONE
FINISH			SHEET	2 OF 3
			REV	A3

THIS DRAWING IS UNPUBLISHED. RELEASED FOR PUBLICATION 20
 © COPYRIGHT 20 BY - ALL RIGHTS RESERVED.

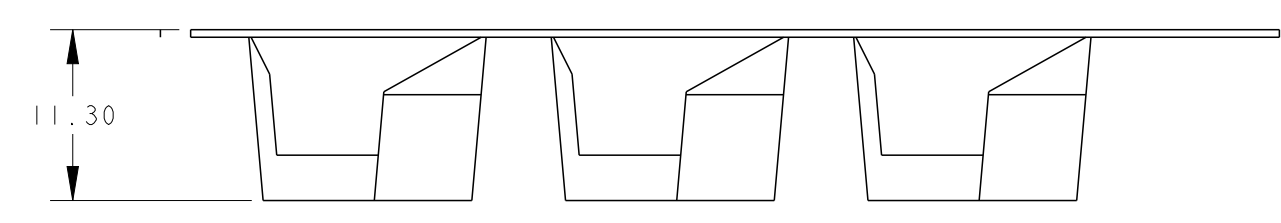
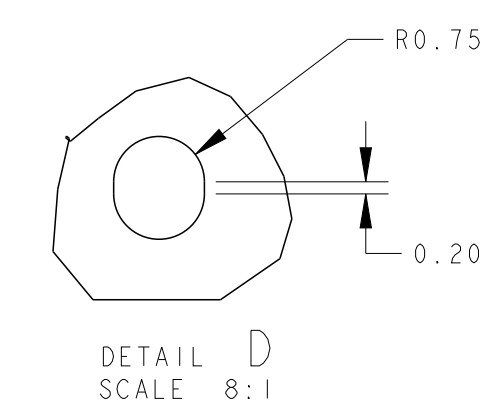
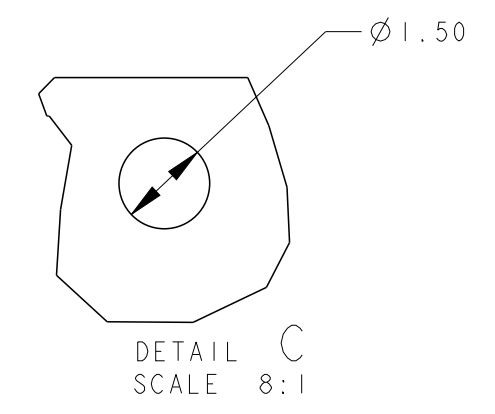
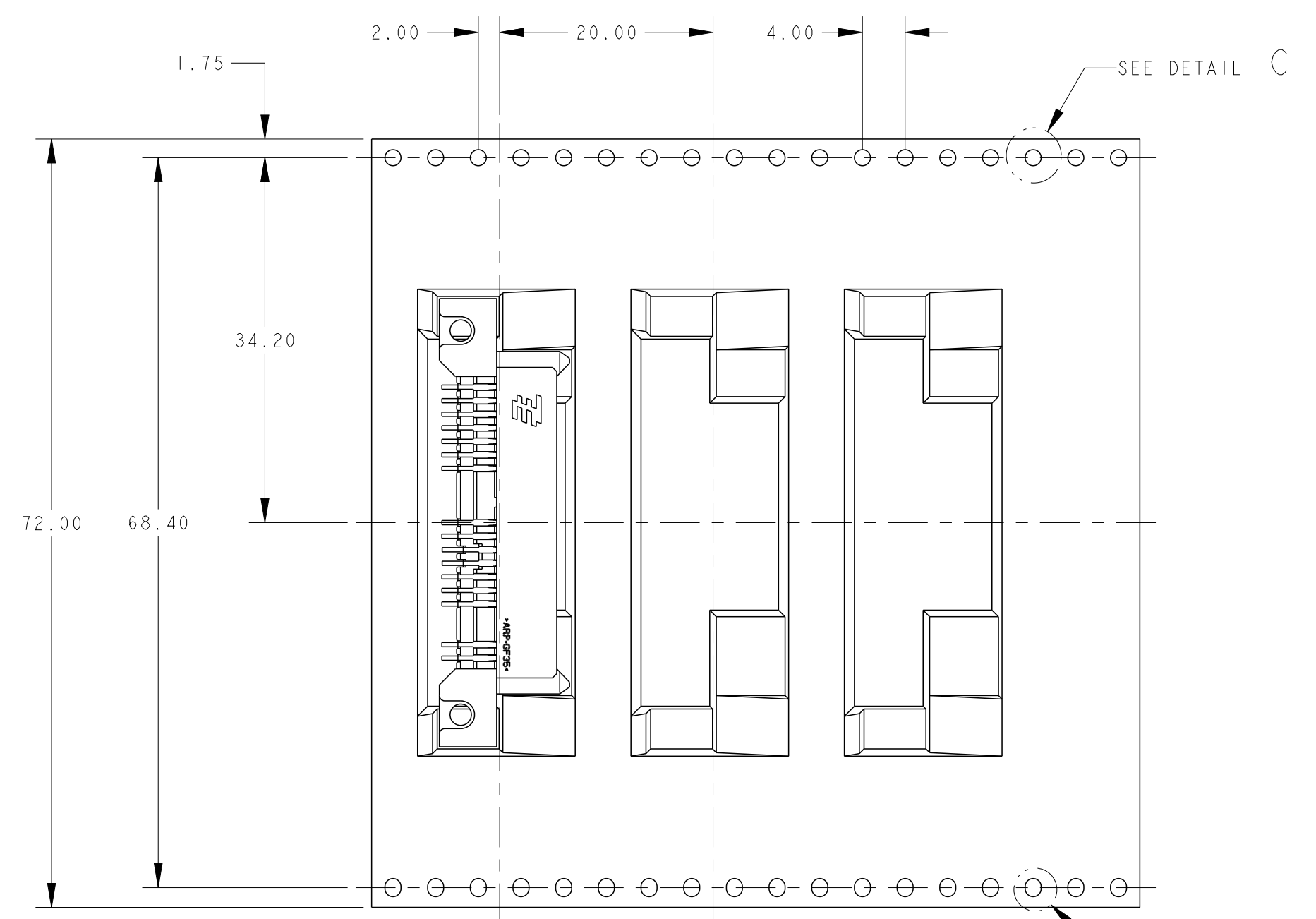
LOC	DIST	REVISIONS			
P	LTR	DESCRIPTION	DATE	DWN	APVD
DY	-	SEE SHEET 1	-	-	-



5 PEELING STRENGTH OF COVER TAPE: 0.2N~1.2N

6. PACKAGE MATERIAL
 CARRY TAPE: PS, COLOR: BLACK
 COVER TAPE: PET, COLOR: CLEAR

USER DIRECTION OF UNREELING →



400	3	1200	1-1735583-3
			1-1735583-2
			1-1735583-1
PCS/REEL	REEL/BOX	PCS/BOX	PART NUMBER

THIS DRAWING IS A CONTROLLED DOCUMENT.		DWN	STE TE Connectivity	
DIMENSIONS: mm		CHK	NAME	
TOLERANCES UNLESS OTHERWISE SPECIFIED:		APVD	MICRO SATA RECEPTACLE, 16P	
0 PLC	±	PRODUCT SPEC	RIGHT ANGLE, SMT	
1 PLC	±1	APPLICATION SPEC	BOTTOM MOUNT, H5.75	
2 PLC	±0.5	WEIGHT	SIZE	CAGE CODE
3 PLC	±	CUSTOMER DRAWING	A2	00779
4 PLC	±	SCALE	DRAWING NO	
ANGLES	±3°	SHEET	G-1735583	
FINISH		OF	RESTRICTED TO	
		3	-	
		3	REV A3	