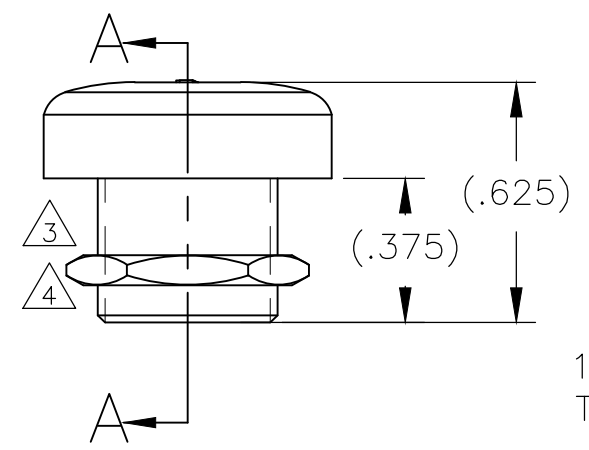
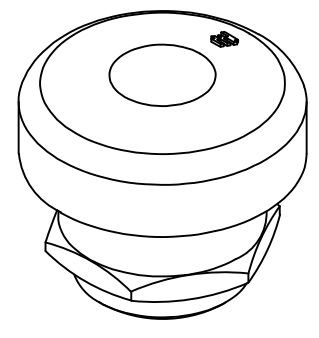
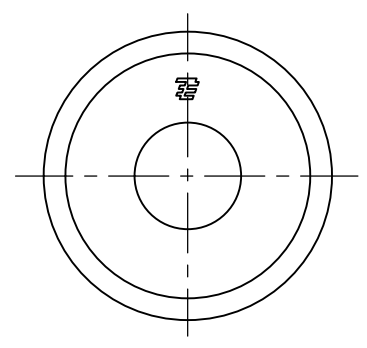
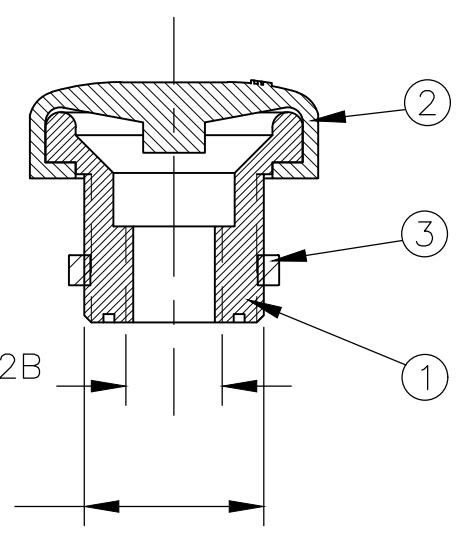


THIS DRAWING IS UNPUBLISHED. RELEASED FOR PUBLICATION  
 © COPYRIGHT - By - ALL RIGHTS RESERVED.

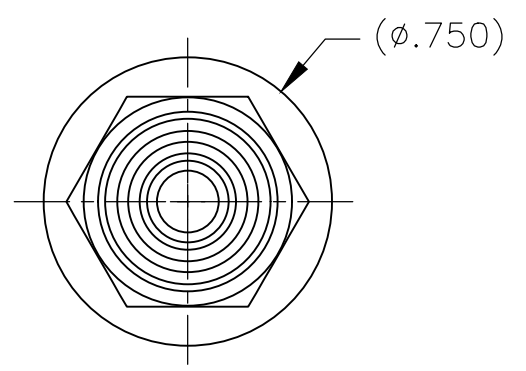
REVISIONS				
P	LTR	DESCRIPTION	DATE	APVD
	D2	ECR-16-017266	01JUN2018	SR PO



1/4 - 40 UNS 2B  
 THREAD  
 15/32 - 32 UNS 2A  
 THREAD



SECTION A-A



- COMPONENTS MUST COMPLY WITH EUROPEAN DIRECTIVE 2002/95/EC ON RESTRICTION OF THE USE OF CERTAIN HAZARDOUS SUBSTANCES IN ELECTRICAL AND ELECTRONIC EQUIPMENT (ROHS DIRECTIVE).
  - USE PART DRAWING FOR ACTUAL DIMENSIONS. DO NOT TAKE MEASUREMENTS FROM CAD ASSEMBLY DRAWING, RUBBER CAP STRETCHED OVER THE BUSHING.
- 3 SUPPLIED WITH JAM NUT ASSEMBLED.  
 4 SUPPLIED WITH JAM NUT NOT ASSEMBLED.

	PART NUMBER	BUSHING MATERIAL	CAP MATERIAL
3 OBSOLETE	1825599-1	ABS, BLACK	SILICONE, COLOR RED
4	1825599-2	ABS, BLACK	SILICONE, COLOR GRAY
3	1825599-3	ABS, BLACK	SILICONE, COLOR BLACK

NO.	DESCRIPTION	DRAWING NO.	MATERIAL
1	THREADED BUSHING	BUSHING	BLACK ABS THERMOPLASTIC
2	BPT - RUBBER CAP	1825599-CAP	SILICONE PER ZZ-R-765, CLASS 3A, GRADE 60, COLOR AS PER ABOVE TABLE
3	15/32-32 UNS-2B NUT	JAM NUT	BRIGHT FINISH NICKEL PLATED BRASS

THIS DRAWING IS A CONTROLLED DOCUMENT.		DWN R BROWN 03JAN2008	TE Connectivity	
DIMENSIONS: INCHES		CHK M WILBOURN 03JAN2008		
TOLERANCES UNLESS OTHERWISE SPECIFIED:		APVD M WILBOURN 03JAN2008	NAME PUSHBUTTON SWITCH PANEL SEAL	
0 PLC ± - 1 PLC ± - 2 PLC ± - 3 PLC ± .010 4 PLC ± - ANGLES ± 3°		PRODUCT SPEC -	RESTRICTED TO -	
MATERIAL -		FINISH -	APPLICATION SPEC -	SIZE A3
		WEIGHT	CAGE CODE 00779	DRAWING NO C-1825599
CUSTOMER DRAWING			SCALE 2:1	SHEET 1 OF 1
			REV D2	