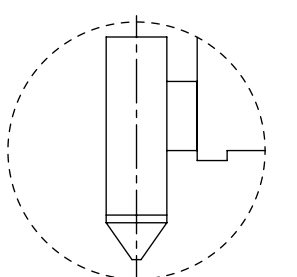
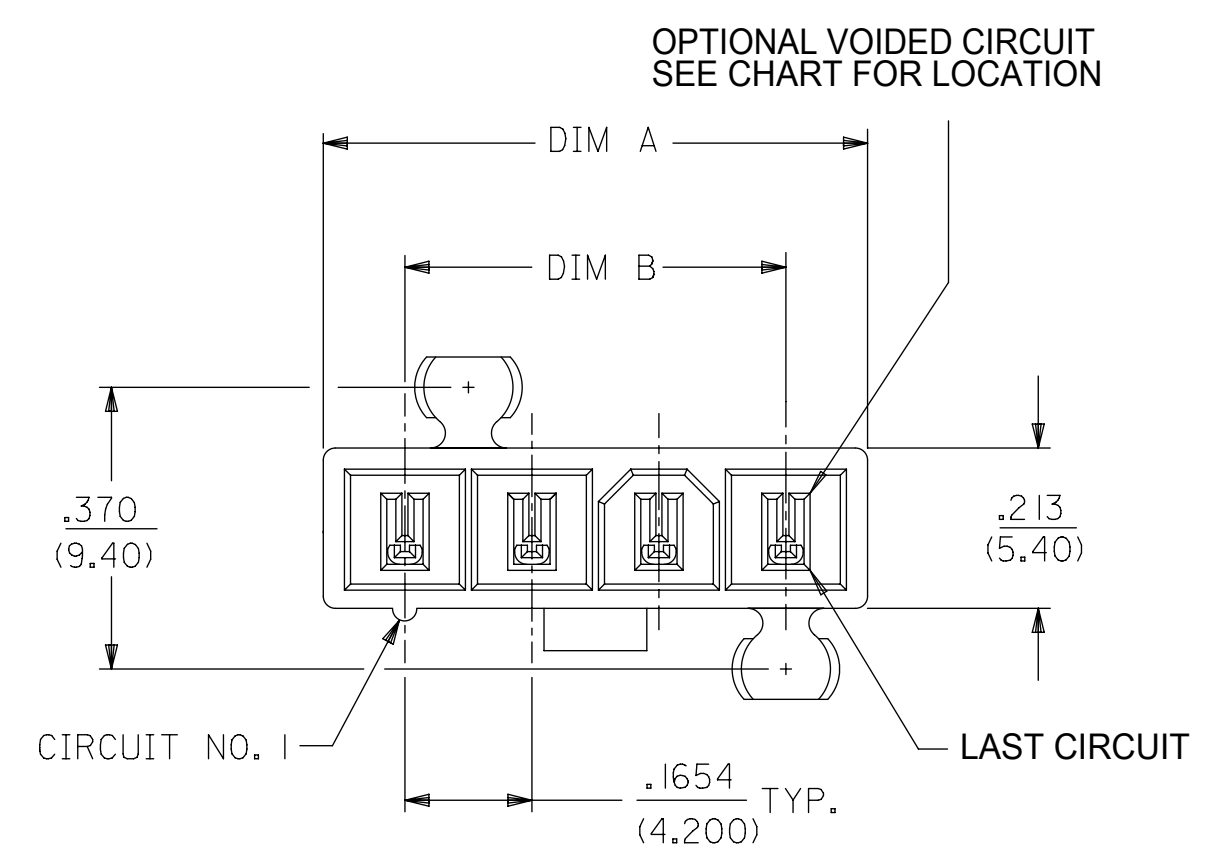
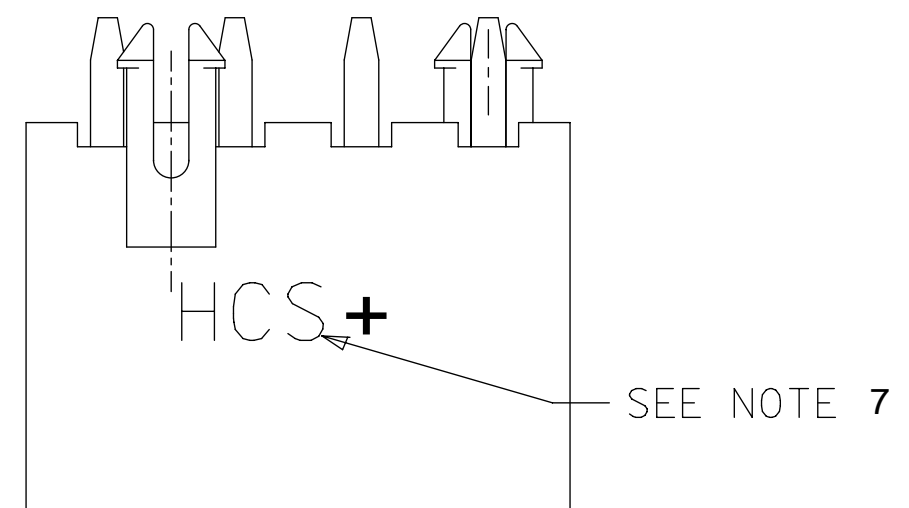
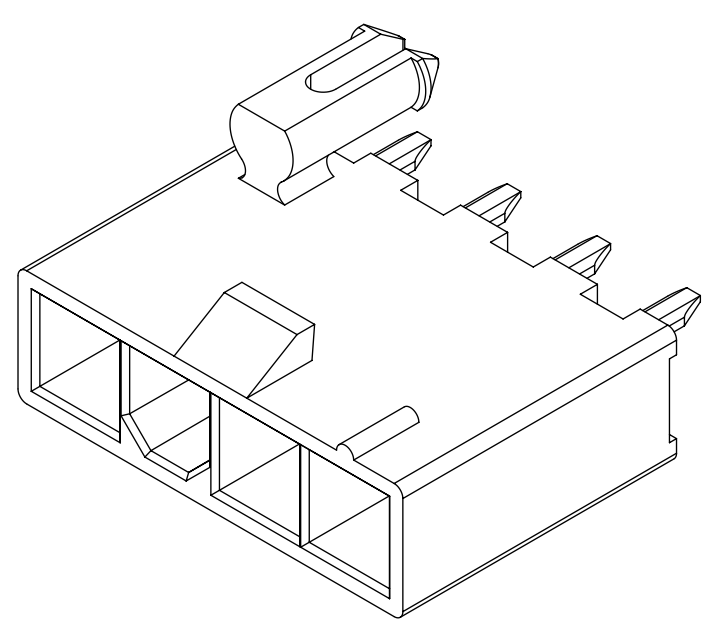


ITEM NO.	CKT SIZE	HOUSING MATERIAL	PLATING	DIM A	DIM B	VOIDED CIRCUITS
46014-0204	2	V-0	TIN	.378 (9.60)	.165 (4.20)	NONE
46014-0205		V-2				
46014-0206		V-0	GOLD			
46014-0207		V-2				
46014-0404	4	V-0	TIN	.709 (18.00)	.496 (12.60)	
46014-0405		V-2				
46014-0406		V-0	GOLD			
46014-0407		V-2				
46014-0503	5	V-0	TIN	.874 (22.20)	.661 (16.80)	
46014-0504		V-0	GOLD			
46014-0604	6	V-0	TIN	1.039 (26.40)	.827 (21.00)	
46014-0605		V-2				
46014-0606		V-0	GOLD			
46014-0607		V-2				

PART NUMBERS WITH VOIDED CIRCUITS

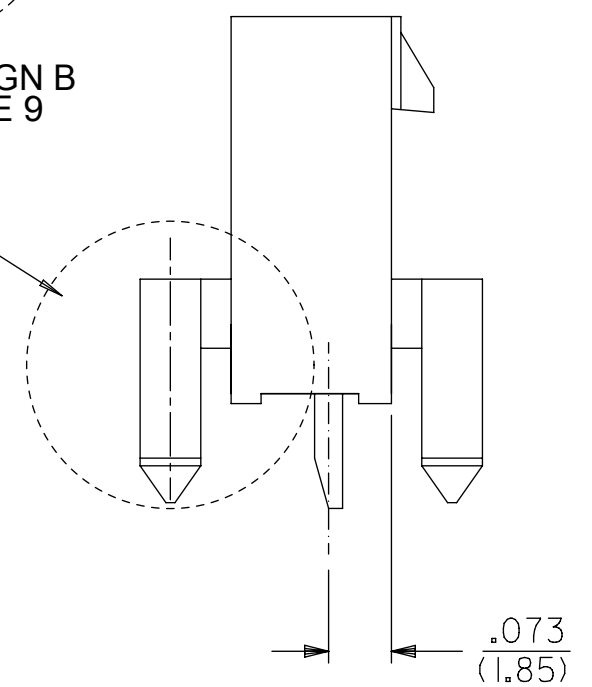
ITEM NO.	CKT SIZE	HOUSING MATERIAL	PLATING	DIM A	DIM B	VOIDED CIRCUITS
46014-5001	5	V-0	GOLD	.874 (22.20)	.661 (16.80)	3
46014-5002	5	V-0	GOLD	.874 (22.20)	.661 (16.80)	2 & 4
46014-5003	5	V-0	TIN	.874 (22.20)	.661 (16.80)	3
46014-5004	5	V-0	TIN	.874 (22.20)	.661 (16.80)	2 & 4

- NOTES:
- MATERIALS:  
HOUSING: 1 - NYLON 6/6, UL 94V-2, COLOR: NATURAL  
2 - NYLON 6/6, UL 94V-0, COLOR: NATURAL  
TERMINALS: COPPER ALLOY
  - TERMINAL PLATING:  
1 - .000100/(.00254) MIN. MATTE TIN OVER  
.000050(.00127) MIN. NICKEL OVERALL  
2 - .000030/(.00076) MIN. SELECT GOLD AND  
.000100/(.00254) MIN. SELECT MATTE TIN OVER  
.000050/(.00127) MIN. NICKEL OVERALL
  - PRODUCT SPECIFICATION: PS-45750-001
  - PACKAGING: TRAY PACK PER PK-5566-002
  - PART MATES WITH WITH MINI-FIT JR. RECEPTACLE #5557.
  - PART IS NOT DESIGNED FOR CURRENT SHARING.
  - PARTS TO HAVE "HCS+" MARKING.
  - PART CONFORMS TO CLASS "B" REQUIREMENTS OF COSMETIC SPECIFICATION PS-45499-002.
  - 5 CIRCUIT PARTS HAVE PEG DESIGN B. ALL OTHER CIRCUIT SIZES HAVE PEG DESIGN A.
  - TEXT ON PART IS FOR REFERENCE ONLY. TEXT AND TEXT LOCATION MAY VARY DEPENDING ON PART NUMBER AND/OR TOOL.

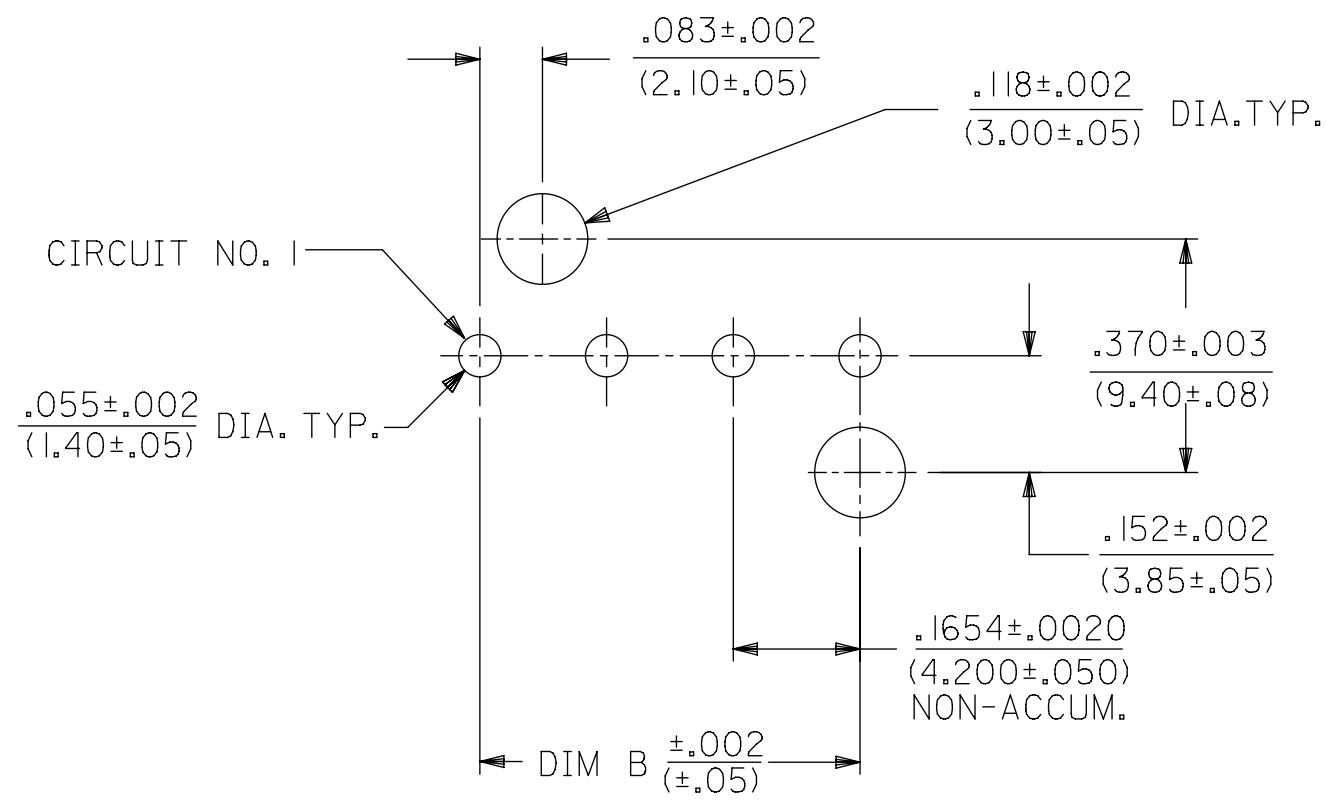


PEG DESIGN B  
SEE NOTE 9

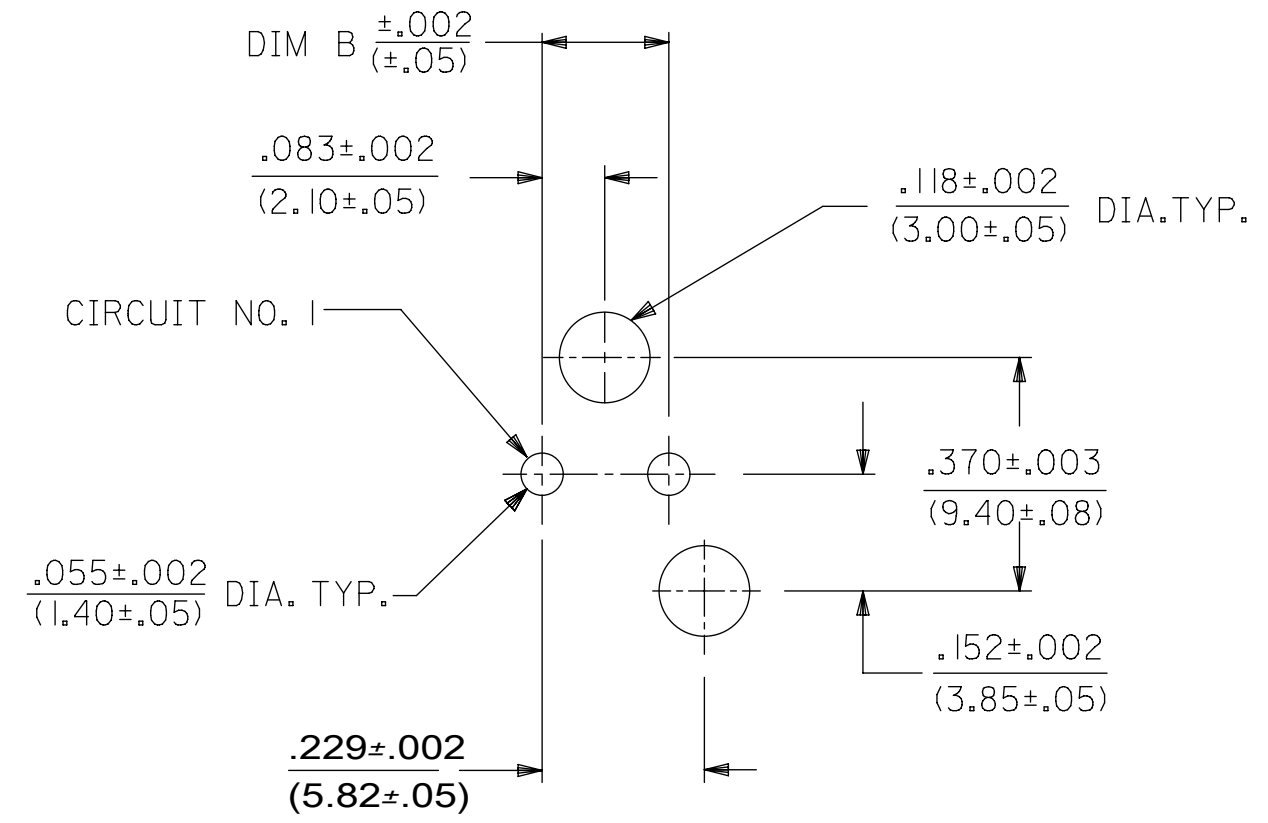
PEG DESIGN A  
SEE NOTE 9



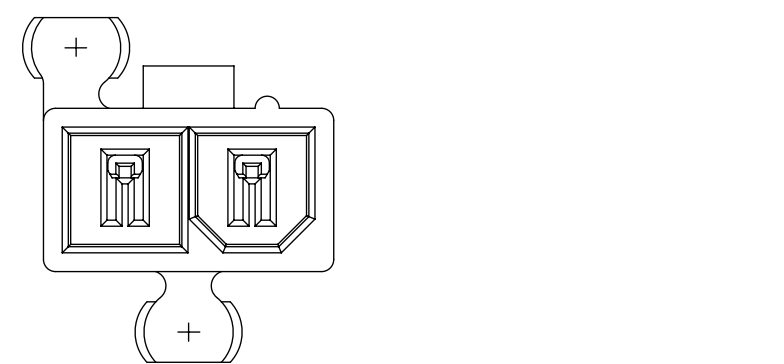
<b>QUALITY SYMBOLS</b> 		THIS DRAWING CONTAINS INFORMATION THAT IS PROPRIETARY TO MOLEX ELECTRONIC TECHNOLOGIES, LLC AND SHOULD NOT BE USED WITHOUT WRITTEN PERMISSION				<b>GENERAL TOLERANCES (UNLESS SPECIFIED)</b> DIMENSION UNITS: IN/MM SCALE: 4:1			
EC NO: 107626 DRWN: CSLAFTER CHKD: JBELL REV: APPR: FSMITH		2016/08/23 2016/09/29 2016/10/03		DRWN BY: TGREGORI DATE: 2006/04/27		DRWN BY: JCOMERCI DATE: 2006/04/27			
ADD 46014-5004		4 PLACES ± ± 3 PLACES ± ± 0.01 2 PLACES ± 0.25 ± 0.02 1 PLACES ± 0.5 ± 0 PLACES ± ±		APPR BY: FSMITH DATE: 2012/02/02		ANGULAR TOL = 0.5		DRAWING SIZE: C THIRD ANGLE PROJECTION	
DRAFT WHERE APPLICABLE MUST REMAIN WITHIN DIMENSIONS		46014		SEE CHART		CUSTOMER: GENERAL MARKET		DOCUMENT NUMBER: SD-46014-001 DOC TYPE: PSD DOC PART: 000 SHEET NUMBER: 1 OF 2	



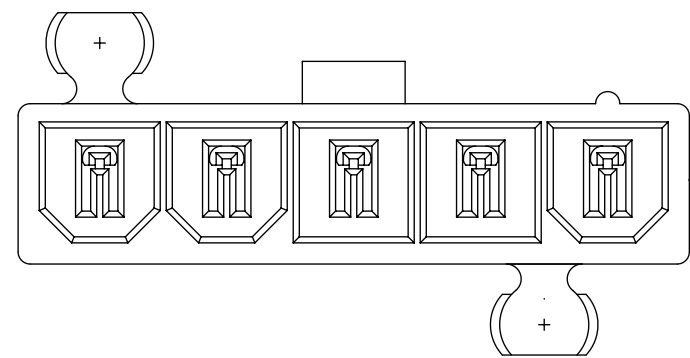
RECOMMENDED HOLE LAYOUT FOR  
.070/(1.78) MAX. THICK P.C. BOARD  
VIEWED FROM COMPONENT SIDE  
3-6 CIRCUIT PARTS



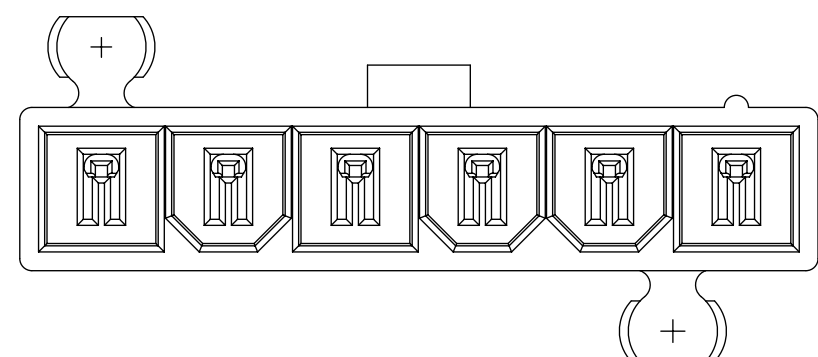
RECOMMENDED HOLE LAYOUT FOR  
.070/(1.78) MAX. THICK P.C. BOARD  
VIEWED FROM COMPONENT SIDE  
2 CIRCUIT PARTS



POLARIZATION FOR 2 CIRCUIT



POLARIZATION FOR 5 CKT.



POLARIZATION FOR 6 CIRCUIT

QUALITY SYMBOLS		THIS DRAWING CONTAINS INFORMATION THAT IS PROPRIETARY TO MOLEX ELECTRONIC TECHNOLOGIES, LLC AND SHOULD NOT BE USED WITHOUT WRITTEN PERMISSION							
▽ = 0	ADD 46014-5004 EC NO: 107626 DRWN: CSLAFTER CHKD: JBELL REV   APPR: FSMITH 2016/08/23 2016/09/29 2016/10/03	GENERAL TOLERANCES (UNLESS SPECIFIED)		DIMENSION UNITS	SCALE				
▽ = 0		MM	INCH	IN/MM	4:1				
▽ = 0		4 PLACES ± ±	DRWN BY		DATE				
▽ = 0		3 PLACES ± ± 0.01	TGREGORI	2006/04/27					
▽ = 0		2 PLACES ± 0.25 ± 0.02	CHK'D BY		DATE				
▽ = 0		1 PLACES ± 0.5 ±	JCOMERCI	2006/04/27					
▽ = 0		0 PLACES ± ±	APPR BY		DATE				
▽ = 0		ANGULAR TOL = 0.5	FSMITH	2012/02/02					
▽ = 0		DRAFT WHERE APPLICABLE MUST REMAIN WITHIN DIMENSIONS	DRAWING SIZE	THIRD ANGLE PROJECTION					
▽ = 0			C						
RELEASE STATUS		P1		RELEASE DATE		03.10.2016		16:50:40	

**molex**

VERTICAL HEADER ASSEMBLY  
SINGLE ROW, MINI-FIT PLUS HCS SERIES

PRODUCT CUSTOMER DRAWING

SERIES	MATERIAL NUMBER	CUSTOMER	
46014	SEE CHART	GENERAL MARKET	
DOCUMENT NUMBER	DOC TYPE	DOC PART	SHEET NUMBER
SD-46014-001	PSD	000	2 OF 2