

W25N04KVxxIR/U



**3V 4G-BIT  
SLC QSPINAND FLASH MEMORY WITH  
DUAL/QUAD SPI  
BUFFER READ & SEQUENTIAL READ**



## Table of Contents

|       |  |    |
|-------|--|----|
| 1.    | GENERAL DESCRIPTIONS.....  | 6  |
| 2.    | FEATURES.....  | 6  |
| 3.    | PACKAGE TYPES AND PIN CONFIGURATIONS .....   | 7  |
| 3.1   | Pad Configuration WSON 8x6-mm .....  | 7  |
| 3.2   | Pad Description WSON 8x6-mm.....   | 7  |
| 3.3   | Ball Configuration TFBGA 8x6-mm (5x5 or 6x4 Ball Array) .....                              | 8  |
| 3.4   | Ball Description TFBGA 8x6-mm .....  | 8  |
| 4.    | PIN DESCRIPTIONS .....   | 9  |
| 4.1   | Chip Select (/CS).....   | 9  |
| 4.2   | Serial Data Input, Output and IOs (DI, DO and IO0, IO1, IO2, IO3) .....                    | 9  |
| 4.3   | Write Protect (/WP).....   | 9  |
| 4.4   | HOLD (/HOLD) .....   | 9  |
| 4.5   | Serial Clock (CLK) .....   | 9  |
| 5.    | BLOCK DIAGRAM.....   | 10 |
| 6.    | FUNCTIONAL DESCRIPTIONS.....   | 11 |
| 6.1   | Device Operation Flow .....  | 11 |
| 6.1.1 | Standard SPI Instructions.....   | 11 |
| 6.1.2 | Dual SPI Instructions .....  | 11 |
| 6.1.3 | Quad SPI Instructions .....  | 12 |
| 6.1.4 | Hold Function .....  | 12 |
| 6.2   | Write Protection .....   | 13 |
| 7.    | PROTECTION, CONFIGURATION AND STATUS REGISTERS .....                                       | 14 |
| 7.1   | Protection Register / Status Register-1 (Volatile Writable, OTP lockable).....             | 14 |
| 7.1.1 | Block Protect Bits (BP3, BP2, BP1, BP0, TB) – <i>Volatile Writable, OTP lockable</i> ..... | 14 |
| 7.1.2 | Write Protection Enable Bit (WP-E) – <i>Volatile Writable, OTP lockable</i> .....          | 15 |
| 7.1.3 | Status Register Protect Bits (SRP1, SRP0) – <i>Volatile Writable, OTP lockable</i> .....   | 15 |
| 7.2   | Configuration Register / Status Register-2 (Volatile Writable) .....                       | 16 |
| 7.2.1 | One Time Program Lock Bit (OTP-L) – <i>OTP lockable</i> .....                              | 16 |
| 7.2.2 | Enter OTP Access Mode Bit (OTP-E) – <i>Volatile Writable</i> .....                         | 16 |
| 7.2.3 | Status Register-1 Lock Bit (SR1-L) – <i>OTP lockable</i> .....                             | 16 |
| 7.2.4 | ECC Enable Bit (ECC-E) – <i>Volatile Writable</i> .....                                    | 17 |
| 7.2.5 | Output Driver Strength (ODS-1, ODS-0) – <i>Volatile Writable</i> .....                     | 19 |
| 7.2.6 | Hold Disable (H-DIS) - <i>Volatile Writable</i> .....                                      | 19 |
| 7.2.7 | Buffer Read / Sequential Read Mode Bit (BUF) - <i>Volatile Writable</i> .....              | 19 |
| 7.3   | Status Register-3 (Status Only).....   | 20 |
| 7.3.1 | Cumulative ECC Status (ECC-1, ECC-0) – <i>Status Only</i> .....                            | 20 |
| 7.3.2 | Program Failure (P-FAIL)– <i>Status Only</i> .....   | 21 |
| 7.3.3 | Erase Failure (E-FAIL)– <i>Status Only</i> .....   | 21 |
| 7.3.4 | Write Enable Latch (WEL) – <i>Status Only</i> .....  | 21 |
| 7.3.5 | Erase/Program In Progress (BUSY) – <i>Status Only</i> .....                                | 21 |
| 7.4   | Extended Internal ECC feature registers.....   | 22 |
| 7.4.1 | ECC Bit Flip Count Detection (BFD) – <i>Volatile Writable</i> .....                        | 22 |



|        |  |    |
|--------|--|----|
| 7.4.2  | ECC Bit Flip Count Detection Status (BFS) – <i>Status Only</i> .....     | 23 |
| 7.4.3  | ECC Bit Flip Count Report (BFR) – <i>Status Only</i> .....               | 23 |
| 7.4.4  | ECC Maximum Bit Flip Count Report (MBF, MFS) – <i>Status Only</i> .....  | 24 |
| 7.5    | Reserved Bits – <i>Non Functional</i> .....                              | 24 |
| 7.6    | W25N04KV Status Register Memory Protection.....                          | 25 |
| 8.     | INSTRUCTIONS .....   | 26 |
| 8.1    | Device ID and Instruction Set Tables .....                               | 26 |
| 8.1.1  | Manufacturer and Device Identification .....                             | 26 |
| 8.1.2  | Instruction Set Table 1 (Buffer Read, BUF = 1, default) .....            | 27 |
| 8.1.3  | Instruction Set Table 2 (Sequential Read, BUF = 0, ECC-E = 0) .....      | 28 |
| 8.2    | Instruction Descriptions .....   | 30 |
| 8.2.1  | Device Reset (FFh), Enable Reset (66h) and Reset Device (99h) .....      | 30 |
| 8.2.2  | Read JEDEC ID (9Fh).....   | 32 |
| 8.2.3  | Read Status Register (0Fh / 05h).....                                    | 33 |
| 8.2.4  | Write Status Register (1Fh / 01h).....                                   | 34 |
| 8.2.5  | Write Enable (06h) .....   | 35 |
| 8.2.6  | Write Disable (04h).....   | 35 |
| 8.2.7  | 128KB Block Erase (D8h).....   | 36 |
| 8.2.8  | Load Program Data (02h) / Random Load Program Data (84h).....            | 37 |
| 8.2.9  | Quad Load Program Data (32h) / Quad Random Load Program Data (34h) ..... | 38 |
| 8.2.10 | Program Execute (10h) .....  | 39 |
| 8.2.11 | Page Data Read (13h).....  | 40 |
| 8.2.12 | Read Data (03h).....   | 41 |
| 8.2.13 | Fast Read (0Bh) .....  | 42 |
| 8.2.14 | Fast Read with 4-Byte Address (0Ch) .....                                | 43 |
| 8.2.15 | Fast Read Dual Output (3Bh) .....  | 44 |
| 8.2.16 | Fast Read Dual Output with 4-Byte Address (3Ch) .....                    | 45 |
| 8.2.17 | Fast Read Quad Output (6Bh).....   | 46 |
| 8.2.18 | Fast Read Quad Output with 4-Byte Address (6Ch).....                     | 47 |
| 8.2.19 | Fast Read Dual I/O (BBh).....  | 48 |
| 8.2.20 | Fast Read Dual I/O with 4-Byte Address (BCh).....                        | 49 |
| 8.2.21 | Fast Read Quad I/O (EBh) .....   | 50 |
| 8.2.22 | Fast Read Quad I/O with 4-Byte Address (ECh) .....                       | 52 |
| 8.2.23 | Accessing Unique ID / Parameter / OTP Pages (OTP-E=1).....               | 54 |
| 8.2.24 | Parameter Page Data Definitions .....                                    | 55 |
| 8.2.25 | Deep Power-Down (B9h).....   | 56 |
| 8.2.26 | Release Power-Down (ABh).....  | 57 |
| 9.     | ELECTRICAL CHARACTERISTICS.....  | 58 |
| 9.1    | Absolute Maximum Ratings <sup>(1)</sup> .....                            | 58 |
| 9.2    | Operating Ranges .....   | 58 |
| 9.3    | Power-up Power-down Timing Requirements.....                             | 59 |
| 9.4    | DC Electrical Characteristics .....                                      | 60 |
| 9.5    | AC Measurement Conditions .....  | 61 |
| 9.6    | AC Electrical Characteristics <sup>(3)</sup> .....                       | 62 |



|      |   |    |
|------|---|----|
| 9.7  | Serial Output Timing.....                                     | 64 |
| 9.8  | Serial Input Timing.....                                      | 64 |
| 9.9  | /HOLD Timing.....   | 64 |
| 9.10 | /WP Timing.....   | 64 |
| 10.  | INVALID BLOCK MANAGEMENT.....                                 | 65 |
| 10.1 | Invalid Blocks.....   | 65 |
| 10.2 | Initial Invalid Blocks.....                                   | 65 |
| 10.3 | Error in Operation.....                                       | 66 |
| 10.4 | Addressing in Program Operation.....                          | 66 |
| 11.  | PACKAGE SPECIFICATIONS.....                                   | 67 |
| 11.1 | 8-Pad WSON 8x6-mm (Package Code ZE).....                      | 67 |
| 11.2 | 24-Ball TFBGA 8x6-mm (Package Code TB, 5x5-1 Ball Array)..... | 68 |
| 11.3 | 24-Ball TFBGA 8x6-mm (Package Code TC, 6x4 Ball Array).....   | 69 |
| 12.  | ORDERING INFORMATION.....                                     | 70 |
| 12.1 | Valid Part Numbers and Top Side Marking.....                  | 71 |
| 13.  | REVISION HISTORY.....   | 72 |

**Table of Figures**

|  |    |
|--|----|
| Figure 1a. W25N04KV Pad Assignments, 8-pad WSON 8x6-mm (Package Code ZE).....                      | 7  |
| Figure 1b. W25N04KV Ball Assignments, 24-ball TFBGA 8x6-mm (Package Code TB & TC) .....            | 8  |
| Figure 2. W25N04KV Flash Memory Architecture and Addressing .....                                  | 10 |
| Figure 3. W25N04KV Flash Memory Operation Diagram.....   | 11 |
| Figure 4a. Protection Register / Status Register-1 (Address Axh) .....                             | 14 |
| Figure 4b. Configuration Register / Status Register-2 (Address Bxh) .....                          | 16 |
| Figure 4c. Status Register-3 (Address Cxh) .....   | 20 |
| Figure 4d. Extended Internal ECC feature registers .....   | 22 |
| Figure 5a. Device Reset Instruction .....  | 30 |
| Figure 5b. Enable Reset and Reset Instruction Sequence .....                                       | 30 |
| Figure 5c. Default values of the Status Registers after power up and Device Reset .....            | 31 |
| Figure 6. Read JEDEC ID Instruction .....  | 32 |
| Figure 7. Read Status Register Instruction .....   | 33 |
| Figure 8. Write Status Register-1/2/3 Instruction .....  | 34 |
| Figure 9. Write Enable Instruction.....  | 35 |
| Figure 10. Write Disable Instruction.....  | 35 |
| Figure 11. 128KB Block Erase Instruction .....   | 36 |
| Figure 12. Load / Random Load Program Data Instruction .....                                       | 37 |
| Figure 13. Quad Load / Quad Random Load Program Data Instruction .....                             | 38 |
| Figure 14. Program Execute Instruction .....   | 39 |
| Figure 15. Page Data Read Instruction.....   | 40 |
| Figure 16a. Read Data Instruction (Buffer Read Mode, BUF=1) .....                                  | 41 |
| Figure 16b. Read Data Instruction (Sequential Read Mode, BUF=0) .....                              | 41 |
| Figure 17a. Fast Read Instruction (Buffer Read Mode, BUF=1) .....                                  | 42 |
| Figure 17b. Fast Read Instruction (Sequential Read Mode, BUF=0) .....                              | 42 |
| Figure 18a. Fast Read with 4-Byte Address Instruction (Buffer Read Mode, BUF=1) .....              | 43 |
| Figure 18b. Fast Read with 4-Byte Address Instruction (Sequential Read Mode, BUF=0).....           | 43 |
| Figure 19a. Fast Read Dual Output Instruction (Buffer Read Mode, BUF=1) .....                      | 44 |
| Figure 19b. Fast Read Dual Output Instruction (Sequential Read Mode, BUF=0).....                   | 44 |
| Figure 20a. Fast Read Dual Output with 4-Byte Address Instruction (Buffer Read Mode, BUF=1) .....  | 45 |
| Figure 20b. Fast Read Dual Output with 4-Byte Address Instruction (Sequential Read Mode, BUF=0) .. | 45 |
| Figure 21a. Fast Read Quad Output Instruction (Buffer Read Mode, BUF=1).....                       | 46 |
| Figure 21b. Fast Read Quad Output Instruction (Sequential Read Mode, BUF=0) .....                  | 46 |
| Figure 22a. Fast Read Quad Output with 4-Byte Address Instruction (Buffer Read Mode, BUF=1) .....  | 47 |
| Figure 22b. Fast Read Quad Output with 4-Byte Address Instruction (Sequential Read Mode, BUF=0) .. | 47 |
| Figure 23a. Fast Read Dual I/O Instruction (Buffer Read Mode, BUF=1) .....                         | 48 |
| Figure 23b. Fast Read Dual I/O Instruction (Sequential Read Mode, BUF=0).....                      | 48 |
| Figure 24a. Fast Read Dual I/O with 4-Byte Address Instruction (Buffer Read Mode, BUF=1) .....     | 49 |
| Figure 24b. Fast Read Dual I/O with 4-Byte Address Instruction (Sequential Read Mode, BUF=0) ..... | 49 |
| Figure 25a. Fast Read Quad I/O Instruction (Buffer Read Mode, BUF=1).....                          | 50 |
| Figure 25b. Fast Read Quad I/O Instruction (Sequential Read Mode, BUF=0) .....                     | 51 |



Figure 26a. Fast Read Quad I/O with 4-Byte Address Instruction (Buffer Read Mode, BUF=1)..... 52  
Figure 26b. Fast Read Quad I/O with 4-Byte Address Instruction (Sequential Read Mode, BUF=0) ..... 53  
Figure 27. Deep Power-Down Instruction ..... 56  
Figure 28. Release Power-down Instruction ..... 57  
Figure 29. Power-up Timing and Voltage Levels ..... 59  
Figure 30. Power-up, Power-Down Requirement ..... 59  
Figure 31. AC Measurement I/O Waveform..... 61  
Figure 32. Flow Chart of Create Initial Invalid Block Table ..... 65



## 1. GENERAL DESCRIPTIONS

The W25N04KV (4G-bit) SLC QspiNAND Flash Memory provides a storage solution for systems with limited space, pins and power. The W25N QspiNAND family incorporates the popular SPI interface and the traditional large NAND non-volatile memory space. They are ideal for code shadowing to RAM, executing code directly from Dual/Quad SPI (XIP) and storing voice, text and data. The device operates on a single 2.7V to 3.6V power supply with current consumption as low as 25mA active, 10µA for standby and 1µA for deep power down. All W25N QspiNAND family devices are offered in space-saving packages which were impossible to use in the past for the typical NAND flash memory.

The W25N04KV 4G-bit memory array is organized into 262,144 programmable pages of 2,048-bytes each. The entire page can be programmed at one time using the data from the 2,048-Byte internal buffer. Pages can be erased in groups of 64 (128KB block erase). The W25N04KV has 2,048 erasable blocks.

The W25N04KV supports the standard Serial Peripheral Interface (SPI), Dual/Quad I/O SPI: Serial Clock, Chip Select, Serial Data I/O0 (DI), I/O1 (DO), I/O2 (/WP), and I/O3 (/HOLD). SPI clock frequencies of up to 104MHz are supported allowing equivalent clock rates of 208MHz (104MHz x 2) for Dual I/O and 416MHz (104MHz x 4) for Quad I/O when using the Fast Read Dual/Quad I/O instructions.

The W25N04KV provides a new Sequential Read Mode that allows for efficient access to the entire memory array with a single Read command.

A Hold pin, Write Protect pin and programmable write protection, provide further control flexibility. Additionally, the device supports JEDEC standard manufacturer and device ID, one Unique ID page, one parameter page and ten 2,048-Byte OTP pages. To provide better NAND flash memory manageability, user configurable internal ECC is also available in W25N04KV.

## 2. FEATURES

- **New W25N Family of QspiNAND Memories**
  - W25N04KV: 4G-bit / 512M-Byte
  - Standard SPI: CLK, /CS, DI, DO, /WP, /Hold
  - Dual SPI: CLK, /CS, IO<sub>0</sub>, IO<sub>1</sub>, /WP, /Hold
  - Quad SPI: CLK, /CS, IO<sub>0</sub>, IO<sub>1</sub>, IO<sub>2</sub>, IO<sub>3</sub>
  - Compatible SPI serial flash commands
- **Highest Performance Serial NAND Flash**
  - 104MHz Standard/Dual/Quad SPI clocks
  - 208/416MHz equivalent Dual/Quad SPI
  - 50MB/S sequential data transfer rate
  - Fast Program/Erase performance
  - 60,000 erase/program cycles
  - 10-year data retention
- **Low Power, Wide Temperature Range**
  - Single 2.7 to 3.6V supply
  - 25mA active, 20µA standby, 2µA DPD<sup>(3)</sup>
  - -40°C to +85°C/105°C<sup>(4)</sup> operating range
- **Flexible Architecture with 128KB blocks**
  - Uniform 128K-Byte Block Erase
  - Flexible page data load methods
- **Advanced Features**
  - On chip 8-Bit ECC for memory array
  - ECC status bits indicate ECC results
  - Software and Hardware Write-Protect
  - Power Supply Lock-Down and OTP protection
  - Unique ID and parameter pages<sup>(1)</sup>
  - Ten 2KB OTP pages<sup>(2)</sup>
- **Space Efficient Packaging**
  - 8-pad WSON 8x6-mm
  - 24-ball TFBGA 8x6-mm
  - Contact Winbond for other package options

### Notes:

1. Please refer to 8.2.23 and 8.2.24 for detail information
2. OTP pages can only be programmed.
3. DPD stands for Deep Power Down.
4. 105°C is supported in Industrial Plus Grade.



### 3. PACKAGE TYPES AND PIN CONFIGURATIONS

W25N04KV is offered in an 8-pad WSON 8x6-mm (package code ZE) and two 24-ball 8x6-mm TFBGA (package code TB & TC) packages as shown in Figure 1a-b respectively. Package diagrams and dimensions are illustrated at the end of this datasheet.

#### 3.1 Pad Configuration WSON 8x6-mm

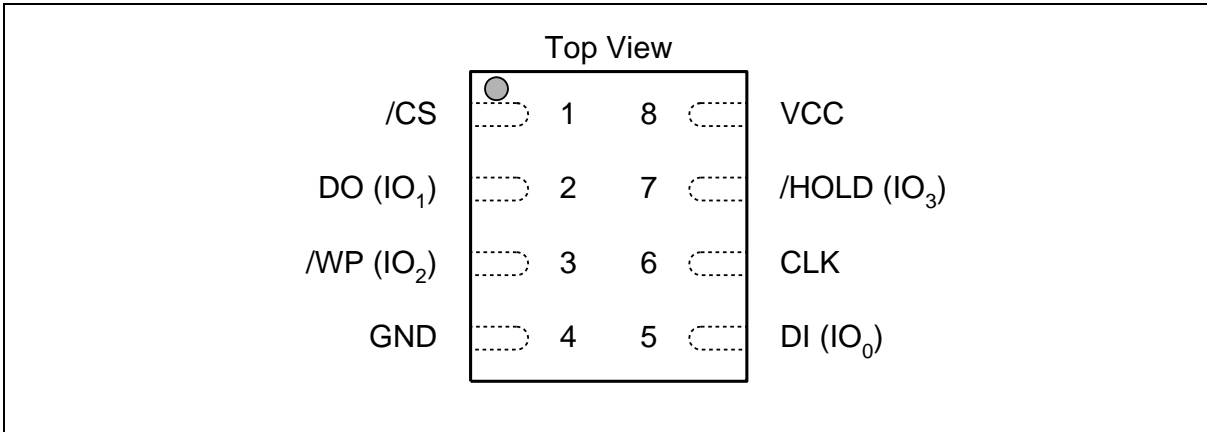


Figure 1a. W25N04KV Pad Assignments, 8-pad WSON 8x6-mm (Package Code ZE)

#### 3.2 Pad Description WSON 8x6-mm

| PAD NO. | PAD NAME                 | I/O | FUNCTION   |
|---------|--------------------------|-----|--|
| 1       | /CS                      | I   | Chip Select Input  |
| 2       | DO (IO <sub>1</sub> )    | I/O | Data Output (Data Input Output 1) <sup>(1)</sup>         |
| 3       | /WP (IO <sub>2</sub> )   | I/O | Write Protect Input (Data Input Output 2) <sup>(2)</sup> |
| 4       | GND                      |     | Ground   |
| 5       | DI (IO <sub>0</sub> )    | I/O | Data Input (Data Input Output 0) <sup>(1)</sup>          |
| 6       | CLK                      | I   | Serial Clock Input                                       |
| 7       | /HOLD (IO <sub>3</sub> ) | I/O | Hold Input (Data Input Output 3) <sup>(2)</sup>          |
| 8       | VCC                      |     | Power Supply   |

**Notes:**

- IO<sub>0</sub> and IO<sub>1</sub> are used for Standard and Dual SPI instructions
- IO<sub>0</sub> – IO<sub>3</sub> are used for Quad SPI instructions, /WP & /HOLD functions are only available for Standard/Dual SPI.





### 3.3 Ball Configuration TFBGA 8x6-mm (5x5 or 6x4 Ball Array)

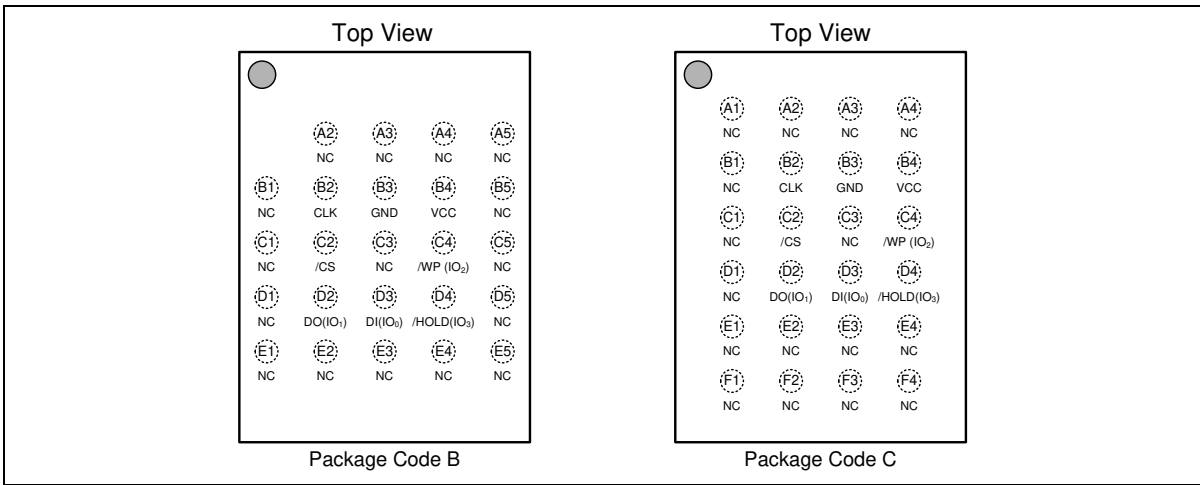


Figure 1b. W25N04KV Ball Assignments, 24-ball TFBGA 8x6-mm (Package Code TB & TC)

### 3.4 Ball Description TFBGA 8x6-mm

| BALL NO. | PIN NAME    | I/O | FUNCTION   |
|----------|-------------|-----|--|
| B2       | CLK         | I   | Serial Clock Input                                       |
| B3       | GND         |     | Ground   |
| B4       | VCC         |     | Power Supply   |
| C2       | /CS         | I   | Chip Select Input  |
| C4       | /WP (IO2)   | I/O | Write Protect Input (Data Input Output 2) <sup>(2)</sup> |
| D2       | DO (IO1)    | I/O | Data Output (Data Input Output 1) <sup>(1)</sup>         |
| D3       | DI (IO0)    | I/O | Data Input (Data Input Output 0) <sup>(1)</sup>          |
| D4       | /HOLD (IO3) | I/O | Hold Input (Data Input Output 3) <sup>(2)</sup>          |
| Multiple | NC          |     | No Connect   |

**Notes:**

- IO0 and IO1 are used for Standard and Dual SPI instructions
- IO0 – IO3 are used for Quad SPI instructions, /WP & /HOLD functions are only available for Standard/Dual SPI.



## **4. PIN DESCRIPTIONS**

### **4.1 Chip Select (/CS)**

The SPI Chip Select (/CS) pin enables and disables device operation. When /CS is high the device is deselected and the Serial Data Output (DO, or IO0, IO1, IO2, IO3) pins are at high impedance. When deselected, the devices power consumption will be at standby levels unless an internal page read, erase, program or write status register cycle is in progress. When /CS is brought low the device will be selected, power consumption will increase to active levels and instructions can be written to and data read from the device. After power-up, /CS must transition from high to low before a new instruction will be accepted. The /CS input must track the VCC supply level at power-up and power-down (see "Write Protection" and Figure 33b). If needed, a pull-up resistor on the /CS pin can be used to accomplish this.

### **4.2 Serial Data Input, Output and IOs (DI, DO and IO0, IO1, IO2, IO3)**

The W25N04KV supports standard SPI, Dual SPI and Quad SPI operation. Standard SPI instructions use the unidirectional DI (input) pin to serially write instructions, addresses or data to the device on the rising edge of the Serial Clock (CLK) input pin. Standard SPI also uses the unidirectional DO (output) to read data or status from the device on the falling edge of CLK.

Dual and Quad SPI instructions use the bidirectional IO pins to serially write instructions, addresses or data to the device on the rising edge of CLK and read data or status from the device on the falling edge of CLK.

### **4.3 Write Protect (/WP)**

The Write Protect (/WP) pin can be used to prevent the Status Register from being written. Used in conjunction with the Status Register's Block Protect bits BP[3:0] and Status Register Protect SRP bits SRP[1:0], a portion as small as 512KB, four Blocks or up to the entire memory array can be hardware protected. The WP-E bit in the Protection Register (SR-1) controls the functions of the /WP pin.

When WP-E=0, the device is in the Software Protection mode that only SR-1 can be protected. The /WP pin functions as a data I/O pin for the Quad SPI operations, as well as an active low input pin for the Write Protection function for SR-1. Refer to section 7.1.3 for detail information.

When WP-E=1, the device is in the Hardware Protection mode that /WP becomes a dedicated active low input pin for the Write Protection of the entire device. If /WP is tied to GND, all "Write/Program/Erase" functions are disabled. The entire device (including all registers, memory array, OTP pages) will become read-only. Quad SPI read operations are also disabled when WP-E is set to 1.

### **4.4 HOLD (/HOLD)**

During Standard and Dual SPI operations, the /HOLD pin allows the device to be paused while it is actively selected. When /HOLD is brought low, while /CS is low, the DO pin will be at high impedance and signals on the DI and CLK pins will be ignored (don't care). When /HOLD is brought high, device operation can resume. The /HOLD function can be useful when multiple devices are sharing the same SPI signals. The /HOLD pin is active low.

When a Quad SPI Read/Buffer Load command is issued, /HOLD pin will become a data I/O pin for the Quad operations and no HOLD function is available until the current Quad operation finishes. /HOLD (IO3) must be driven high by the host, or an external pull-up resistor must be placed on the PCB, in order to avoid allowing the /HOLD input to float.

### **4.5 Serial Clock (CLK)**

The SPI Serial Clock Input (CLK) pin provides the timing for serial input and output operations. ("See SPI Operations")



5. BLOCK DIAGRAM

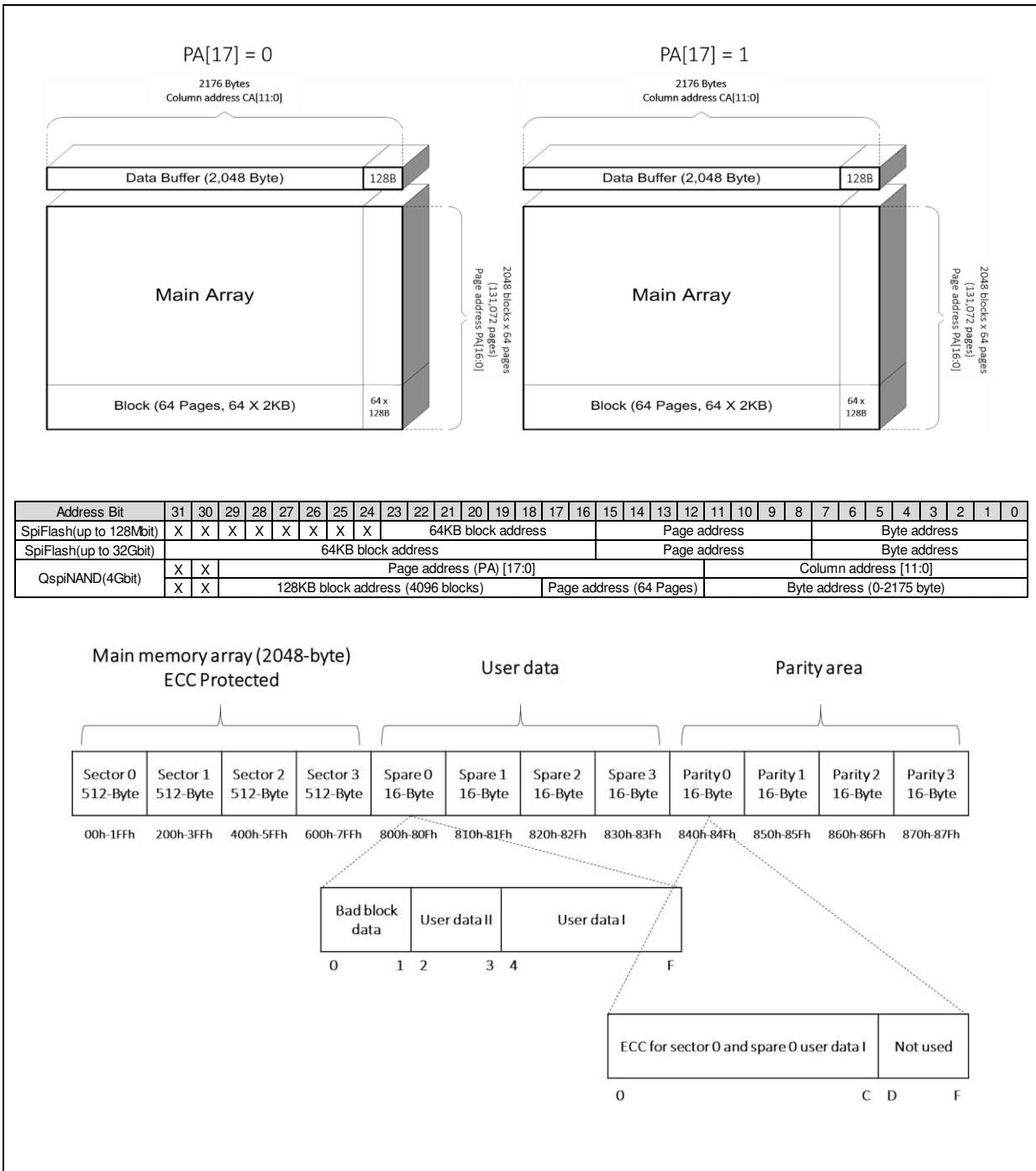


Figure 2. W25N04KV Flash Memory Architecture and Addressing



## 6. FUNCTIONAL DESCRIPTIONS

### 6.1 Device Operation Flow

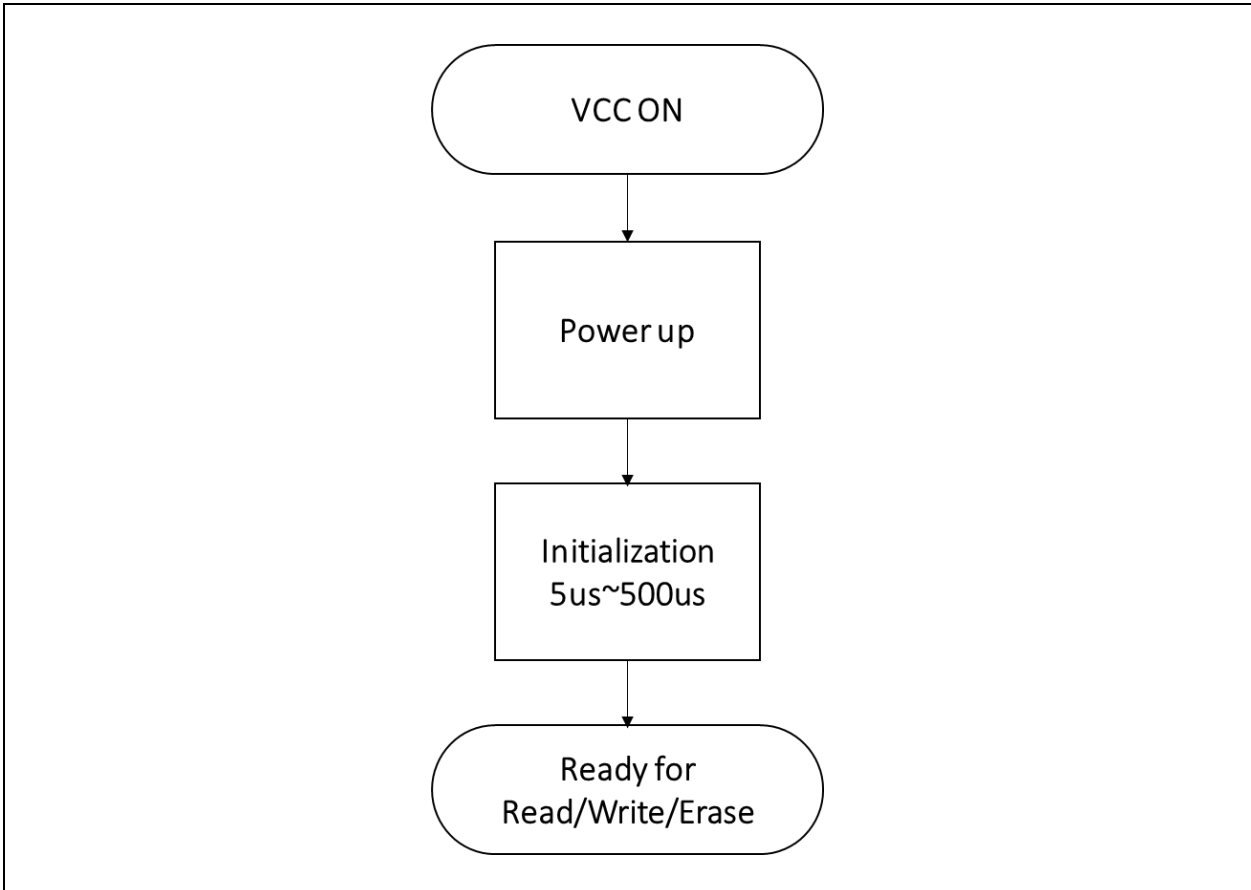


Figure 3. W25N04KV Flash Memory Operation Diagram

#### 6.1.1 Standard SPI Instructions

The W25N04KV is accessed through an SPI compatible bus consisting of four signals: Serial Clock (CLK), Chip Select (/CS), Serial Data Input (DI) and Serial Data Output (DO). Standard SPI instructions use the DI input pin to serially write instructions, addresses or data to the device on the rising edge of CLK. The DO output pin is used to read data or status from the device on the falling edge of CLK.

SPI bus operation Mode 0 (0,0) and 3 (1,1) are supported. The primary difference between Mode 0 and Mode 3 concerns the normal state of the CLK signal when the SPI bus master is in standby and data is not being transferred to the Serial Flash. For Mode 0, the CLK signal is normally low on the falling and rising edges of /CS. For Mode 3, the CLK signal is normally high on the falling and rising edges of /CS.

#### 6.1.2 Dual SPI Instructions

The W25N04KV supports Dual SPI operation when using instructions such as “Fast Read Dual Output (3Bh)” and “Fast Read Dual I/O (BBh)”. These instructions allow data to be transferred to or from the device at two to three times the rate of ordinary Serial Flash devices. The Dual SPI Read instructions are ideal for quickly downloading code to RAM upon power-up (code-shadowing) or for executing non-speed-critical



code directly from the SPI bus (XIP). When using Dual SPI instructions, the DI and DO pins become bidirectional I/O pins: IO0 and IO1.

### **6.1.3 Quad SPI Instructions**

The W25N04KV supports Quad SPI operation when using instructions such as “Fast Read Quad Output (6Bh/6Ch)”, “Fast Read Quad I/O (EBh/ECh)” and “Quad Program Data Load (32h/34h)”. These instructions allow data to be transferred to or from the device four to six times the rate of ordinary Serial Flash. The Quad Read instructions offer a significant improvement in random access transfer rates allowing fast code-shadowing to RAM or execution directly from the SPI bus (XIP). When using Quad SPI instructions the DI and DO pins become bidirectional IO0 and IO1, and the /WP and /HOLD pins become IO2 and IO3 respectively.

### **6.1.4 Hold Function**

For Standard SPI and Dual SPI operations, the /HOLD signal allows the W25N04KV operation to be paused while it is actively selected (when /CS is low). The /HOLD function may be useful in cases where the SPI data and clock signals are shared with other devices. For example, consider if the page buffer was only partially written when a priority interrupt requires use of the SPI bus. In this case the /HOLD function can save the state of the instruction and the data in the buffer so programming can resume where it left off once the bus is available again. The /HOLD function is only available for standard SPI and Dual SPI operation, not during Quad SPI. When a Quad SPI command is issued, /HOLD pin will act as a dedicated IO pin (IO3).

To initiate a /HOLD condition, the device must be selected with /CS low. A /HOLD condition will activate on the falling edge of the /HOLD signal if the CLK signal is already low. If the CLK is not already low the /HOLD condition will activate after the next falling edge of CLK. The /HOLD condition will terminate on the rising edge of the /HOLD signal if the CLK signal is already low. If the CLK is not already low the /HOLD condition will terminate after the next falling edge of CLK. During a /HOLD condition, the Serial Data Output (DO) is high impedance, and Serial Data Input (DI) and Serial Clock (CLK) are ignored. The Chip Select (/CS) signal should be kept active (low) for the full duration of the /HOLD operation to avoid resetting the internal logic state of the device.



## 6.2 Write Protection

Applications that use non-volatile memory must take into consideration the possibility of noise and other adverse system conditions that may compromise data integrity. To address this concern, the W25N04KV provides several means to protect the data from inadvertent writes.

- Device resets when VCC is below threshold
- Write enable/disable instructions and automatic write disable after erase or program
- Software and Hardware (/WP pin) write protection using Protection Register (SR-1)
- Lock Down write protection for Protection Register (SR-1) until the next power-up
- One Time Program (OTP) write protection for memory array using Protection Register (SR-1)
- Hardware write protection using /WP pin when WP-E is set to 1

Upon power-up or at power-down, while VCC is below VCC(min), (see “Power-up Power-down Timing Requirements”), all operations are disabled and no instructions are recognized. During power-up, after the VCC voltage exceeds VCC(min) and tVSL has elapsed, all program and erase related instructions are further disabled for a time delay of tPUW. This includes the Write Enable, Program Execute, Block Erase and the Write Status Register instructions. Note that the chip select pin (/CS) must track the VCC supply level at power-up until the VCC-min level and tVSL time delay is reached, and it must also track the VCC supply level at power-down to prevent adverse command sequence. If needed a pull-up resistor on /CS can be used to accomplish this.

After power-up the device is automatically placed in a write-disabled state with the Status Register Write Enable Latch (WEL) set to a 0. A Write Enable instruction must be issued before a Program Execute or Block Erase instruction will be accepted. After completing a program or erase instruction the Write Enable Latch (WEL) is automatically cleared to a write-disabled state of 0.

Software controlled write protection is facilitated using the Write Status Register instruction and setting the Status Register Protect (SRP0, SRP1) and Block Protect (TB, BP[3:0]) bits. These settings allow a portion or the entire memory array to be configured as read only. Used in conjunction with the Write Protect (/WP) pin, changes to the Status Register can be enabled or disabled under hardware control. See Protection Register section for further information.

The WP-E bit in Protection Register (SR-1) is used to enable the hardware protection. When WP-E is set to 1, bringing /WP low in the system will block any Write/Program/Erase command to the W25N04KV, the device will become read-only. The Quad SPI operations are also disabled when WP-E is set to 1.



## 7. PROTECTION, CONFIGURATION AND STATUS REGISTERS

Three Status Registers are provided for W25N04KV: Protection Register (SR-1), Configuration Register (SR-2) & Status Register (SR-3). Each register is accessed by Read Status Register and Write Status Register commands combined with 1-Byte Register Address respectively.

The Read Status Register instruction (05h / 0Fh) can be used to provide status on the availability of the flash memory array, whether the device is write enabled or disabled, the state of write protection, Read modes, Protection Register/OTP area lock status, Erase/Program results, ECC usage/status. The Write Status Register instruction can be used to configure the device write protection features, Software/Hardware write protection, Read modes, enable/disable ECC, Protection Register/OTP area lock. Write access to the Status Register is controlled by the state of the non-volatile Status Register Protect bits (SRP0, SRP1), the Write Enable instruction, and when WP-E is set to 1, the /WP pin.

### 7.1 Protection Register / Status Register-1 (Volatile Writable, OTP lockable)

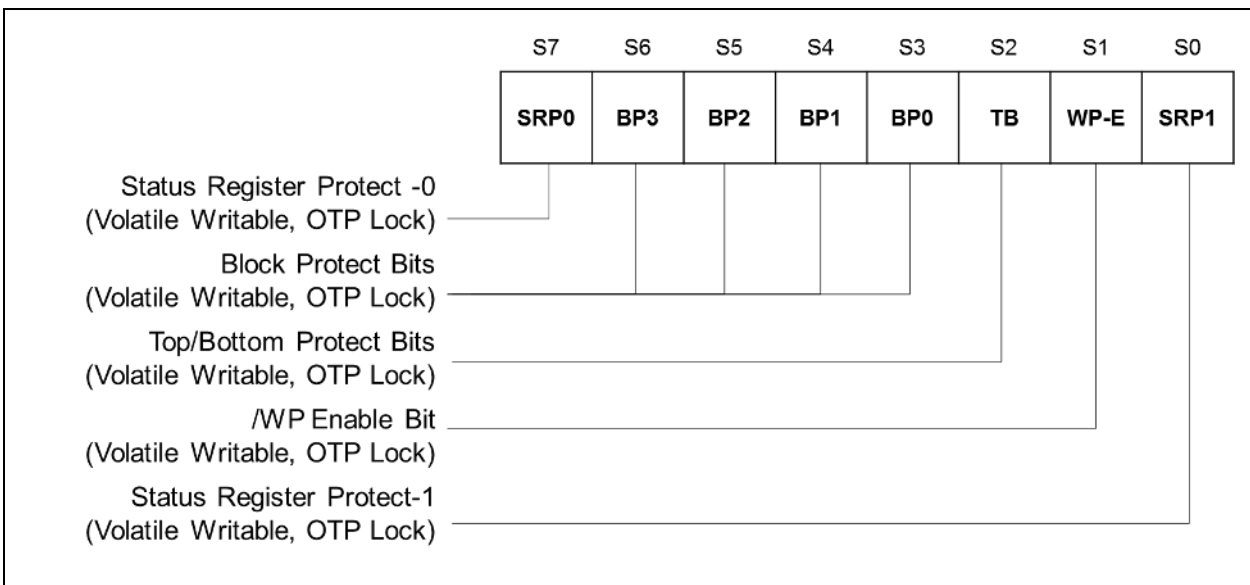


Figure 4a. Protection Register / Status Register-1 (Address Axh)

#### 7.1.1 Block Protect Bits (BP3, BP2, BP1, BP0, TB) – Volatile Writable, OTP lockable

The Block Protect bits (BP3, BP2, BP1, BP0 & TB) are volatile read/write bits in the status register-1 (S6, S5, S4, S3 & S2) that provide Write Protection control and status. Block Protect bits can be set using the Write Status Register Instruction. All, none or a portion of the memory array can be protected from Program and Erase instructions (see Status Register Memory Protection table). The default values for the Block Protection bits are 1 after power up to protect the entire array. If the SR1-L bit in the Configuration Register (SR-2) is set to 1, the default values will be the values that are OTP locked.



### 7.1.2 Write Protection Enable Bit (WP-E) – Volatile Writable, OTP lockable

The Write Protection Enable bit (WP-E) is a volatile read/write bits in the status register-1 (S1). The WP-E bit, in conjunction with SRP1 & SRP0, controls the method of write protection: software protection, hardware protection, power supply lock-down or one time programmable (OTP) protection, /WP pin functionality, and Quad SPI operation enable/disable. When WP-E = 0 (default value), the device is in Software Protection mode, /WP & /HOLD pins are multiplexed as IO pins, and Quad program/read functions are enabled all the time. When WP-E is set to 1, the device is in Hardware Protection mode, all Quad functions are disabled and /WP & /HOLD pins become dedicated control input pins.

### 7.1.3 Status Register Protect Bits (SRP1, SRP0) – Volatile Writable, OTP lockable

The Status Register Protect bits (SRP1 and SRP0) are volatile read/write bits in the status register (S0 and S7). The SRP bits control the method of write protection: software protection, hardware protection, power supply lock-down or one time programmable (OTP) protection.

| Software Protection (Driven by Controller, Quad Program/Read is enabled) |      |      |           |  |
|--|------|------|-----------|--|
| SRP1   | SRP0 | WP-E | /WP / IO2 | Descriptions   |
| 0  | 0    | 0    | X         | No /WP functionality<br>/WP pin will always function as IO2  |
| 0  | 1    | 0    | 0         | SR-1 cannot be changed (/WP = 0 during Write Status)<br>/WP pin will function as IO2 for Quad operations |
| 0  | 1    | 0    | 1         | SR-1 can be changed (/WP = 1 during Write Status)<br>/WP pin will function as IO2 for Quad operations    |
| 1  | 0    | 0    | X         | Power Lock Down <sup>(1)</sup> SR-1<br>/WP pin will always function as IO2                               |
| 1  | 1    | 0    | X         | Enter OTP mode to protect SR-1 (allow SR1-L=1)<br>/WP pin will always function as IO2                    |

| Hardware Protection (System Circuit / PCB layout, Quad Program/Read is disabled) |      |      |          |   |
|--|------|------|----------|---|
| SRP1   | SRP0 | WP-E | /WP only | Descriptions  |
| 0  | X    | 1    | VCC      | SR-1 can be changed   |
| 1  | 0    | 1    | VCC      | Power Lock-Down <sup>(1)</sup> SR-1   |
| 1  | 1    | 1    | VCC      | Enter OTP mode to protect SR-1 (allow SR1-L=1)  |
| X  | X    | 1    | GND      | All "Write/Program/Erase" commands are blocked<br>Entire device (SRs, Array, OTP area) is read-only |

#### Notes:

1. When SRP1, SRP0 = (1, 0), a power-down, power-up cycle will change SRP1, SRP0 to (0, 0) state.





## 7.2 Configuration Register / Status Register-2 (Volatile Writable)

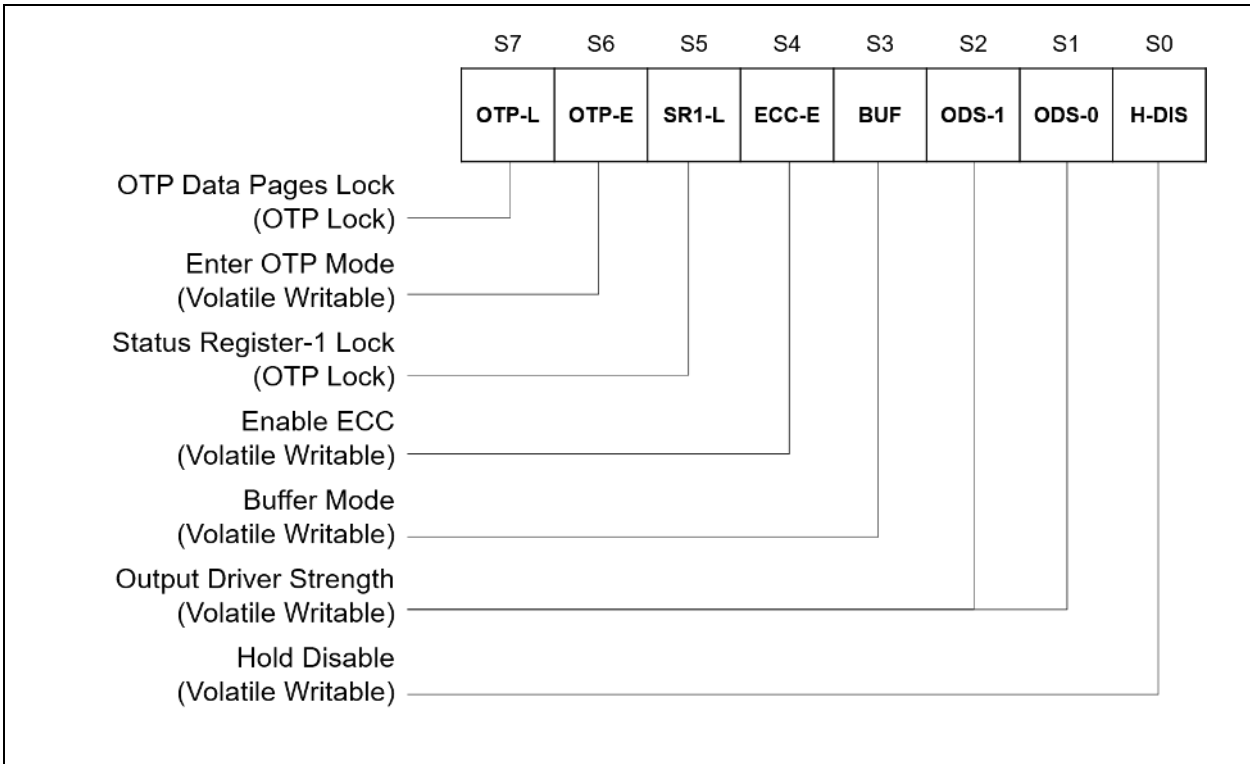


Figure 4b. Configuration Register / Status Register-2 (Address Bxh)

### 7.2.1 One Time Program Lock Bit (OTP-L) – OTP lockable

In addition to the main memory array, W25N04KV also provides an OTP area for the system to store critical data that cannot be changed once it's locked. The OTP area consists of 10 pages of 2,176-Byte each. The default data in the OTP area are FFh. Only Program command can be issued to the OTP area to change the data from "1" to "0", and data is not reversible ("0" to "1") by the Erase command. Once the correct data is programmed in and verified, the system developer can set OTP-L bit to 1, so that the entire OTP area will be locked to prevent further alteration to the data.

### 7.2.2 Enter OTP Access Mode Bit (OTP-E) – Volatile Writable

The OTP-E bit must be set to 1 in order to use the standard Program/Read commands to access the OTP area as well as to read the Unique ID / Parameter Page information. The default value after power up or a RESET command is 0.

### 7.2.3 Status Register-1 Lock Bit (SR1-L) – OTP lockable

The SR1-L lock bit is used to OTP lock the values in the Protection Register (SR-1). Depending on the settings in the SR-1, the device can be configured to have a portion of or up to the entire array to be write-protected, and the setting can be OTP locked by setting SR1-L bit to 1. SR1-L bit can only be set to 1 permanently when SRP1 & SRP0 are set to (1,1), and OTP Access Mode must be entered (OTP-E=1) to execute the programming. Please refer to 10.2.23 for detailed information.

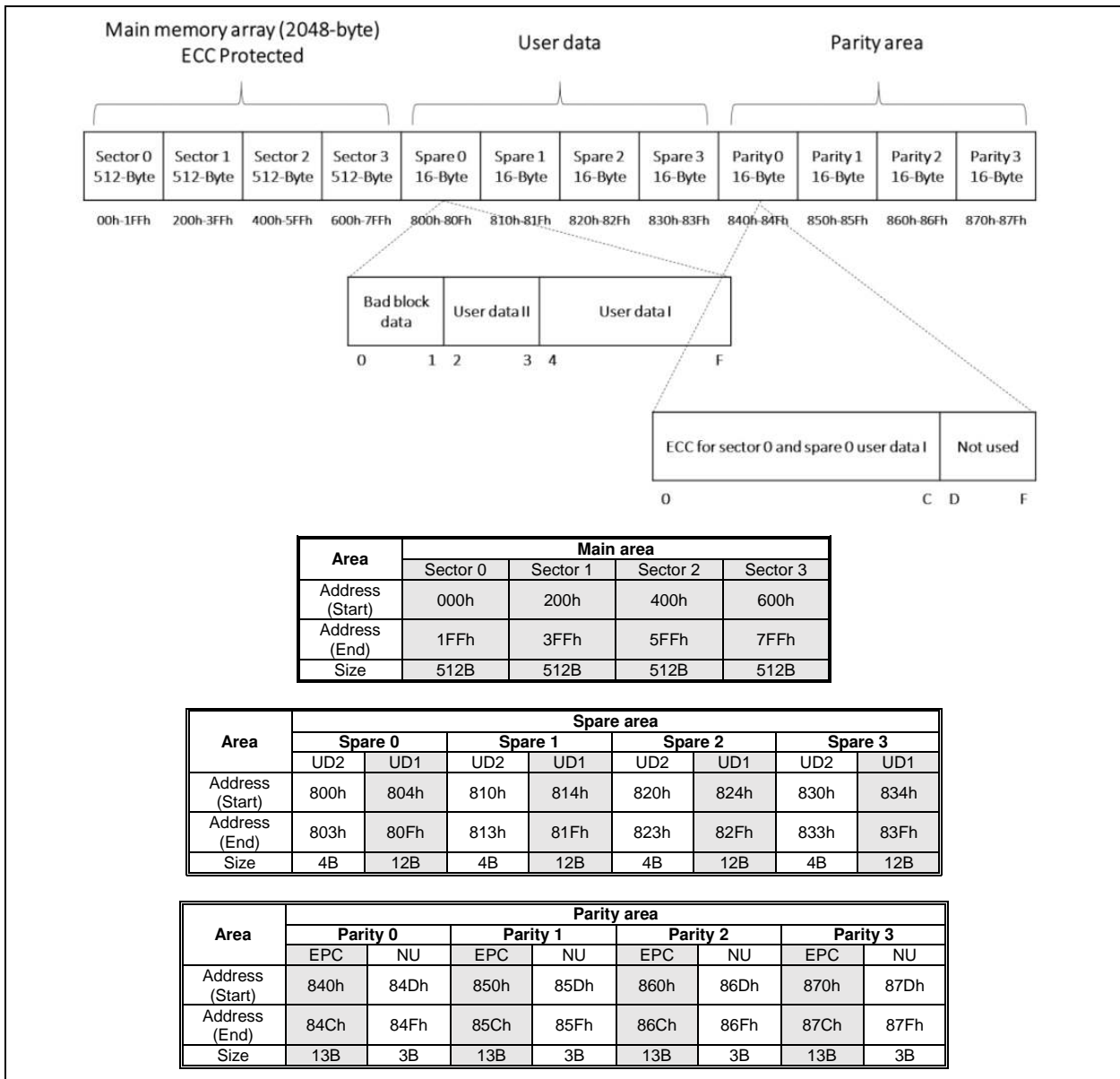


## 7.2.4 ECC Enable Bit (ECC-E) – *Volatile Writable*

W25N04KV has a built-in ECC algorithm that can be used to preserve the data integrity. Internal ECC calculation is done during page programming, and the result is stored in the extra 64-Byte area for each page. During the data read operation, ECC engine will verify the data values according to the previously stored ECC information and to make necessary corrections if needed. The verification and correction status is indicated by the ECC Status Bits. ECC function is enabled by default when power on (ECC-E=1), and it will not be reset to 0 by the Device Reset command.

The constraint when ECC-E=1 are as follows:

- The areas protected by ECC is shown in the table below. User Data I is protected by ECC, but User Data II is out of protected by ECC.
- The Number of Partial Page Program (NoP) is 4 for the entire page, including the spare area and parity area. Therefore the user needs to program one sector and User Data I of pared spare area (example, main area-sector 0 and spare area-spare 0) at one time program to properly and automatically program the ECC parity area.



| Area            | Main area |          |          |          |
|-----------------|-----------|----------|----------|----------|
|                 | Sector 0  | Sector 1 | Sector 2 | Sector 3 |
| Address (Start) | 000h      | 200h     | 400h     | 600h     |
| Address (End)   | 1FFh      | 3FFh     | 5FFh     | 7FFh     |
| Size            | 512B      | 512B     | 512B     | 512B     |

| Area            | Spare area |      |         |      |         |      |         |      |
|-----------------|------------|------|---------|------|---------|------|---------|------|
|                 | Spare 0    |      | Spare 1 |      | Spare 2 |      | Spare 3 |      |
|                 | UD2        | UD1  | UD2     | UD1  | UD2     | UD1  | UD2     | UD1  |
| Address (Start) | 800h       | 804h | 810h    | 814h | 820h    | 824h | 830h    | 834h |
| Address (End)   | 803h       | 80Fh | 813h    | 81Fh | 823h    | 82Fh | 833h    | 83Fh |
| Size            | 4B         | 12B  | 4B      | 12B  | 4B      | 12B  | 4B      | 12B  |

| Area            | Parity area |      |          |      |          |      |          |      |
|-----------------|-------------|------|----------|------|----------|------|----------|------|
|                 | Parity 0    |      | Parity 1 |      | Parity 2 |      | Parity 3 |      |
|                 | EPC         | NU   | EPC      | NU   | EPC      | NU   | EPC      | NU   |
| Address (Start) | 840h        | 84Dh | 850h     | 85Dh | 860h     | 86Dh | 870h     | 87Dh |
| Address (End)   | 84Ch        | 84Fh | 85Ch     | 85Fh | 86Ch     | 86Fh | 87Ch     | 87Fh |
| Size            | 13B         | 3B   | 13B      | 3B   | 13B      | 3B   | 13B      | 3B   |

**Notes:**

1. UD2: User Data II
2. UD1: User Data I
3. EPC: ECC Parity Code
4. NU: Not Use

The gray area of the above table is protected by ECC



### 7.2.5 Output Driver Strength (ODS-1, ODS-0) – Volatile Writable

| ODS-1, ODS-0 | Output driver strength | NMOS Ronl   | PMOS Ronl    |
|--------------|------------------------|-------------|--------------|
| 0, 0         | Set 1 (default)        | 40 $\Omega$ | 55 $\Omega$  |
| 0, 1         | Set 2                  | 45 $\Omega$ | 65 $\Omega$  |
| 1, 0         | Set 3                  | 55 $\Omega$ | 90 $\Omega$  |
| 1, 1         | Set 4                  | 95 $\Omega$ | 155 $\Omega$ |

### 7.2.6 Hold Disable (H-DIS) – Volatile Writable

When the Hold Disable (H-DIS) bit set to 1, the hold function would be disabled.

### 7.2.7 Buffer Read / Sequential Read Mode Bit (BUF) – Volatile Writable

W25N04KV provides two different modes for read operations, Buffer Read Mode (BUF=1) and Sequential Read Mode without ECC mode (BUF=0, ECC-E = 0). Prior to any Read operation, a Page Data Read command is needed to initiate the data transfer from a specified page in the memory array to the Data Buffer. By default, after power up, the data in page 0 will be automatically loaded into the Data Buffer and the device is ready to accept any read commands.

The Buffer Read Mode (BUF=1) requires a Column Address to start outputting the existing data inside the Data Buffer, and once it reaches the end of the data buffer (Byte 2,176), DO (IO1) pin will become high-Z state.

The Sequential Read Mode without ECC mode (BUF=0, ECC-E = 0) doesn't require the starting Column Address. The device will always start output the data from the first column (Byte 0) of the Data buffer, and once the end of the data buffer (Byte 2,048 + 128) is reached, the data output will continue through the next memory page. With Sequential Read Mode, it is possible to read out the entire memory array using a single read command.

In the Sequential Read Mode without ECC mode, for each read instruction: 03h, 0Bh, 0Ch, 3Bh, 3Ch, 6Bh, 6Ch, BBh, BCh, EBh and ECh, the CA [15:0] address input becomes dummy input. The read must start from the beginning of the page. During this read mode, there is no built-in ECC algorithm that can be used to preserve the data integrity.

| BUF | ECC-E | Read Mode (Starting from Buffer) | ECC Status | Data Output Structure |
|-----|-------|----------------------------------|------------|-----------------------|
| 1   | 0     | Buffer Read                      | N/A        | 2,048 + 128           |
| 1   | 1     | Buffer Read                      | Page based | 2,048 + 128           |
| 0   | X     | Sequential Read                  | N/A        | 2,048 + 128           |

**Note:**

When BUF set to 0, no matter which setting for ECC-E, there is no built-in ECC algorithm to preserve the data integrity.



### 7.3 Status Register-3 (Status Only)

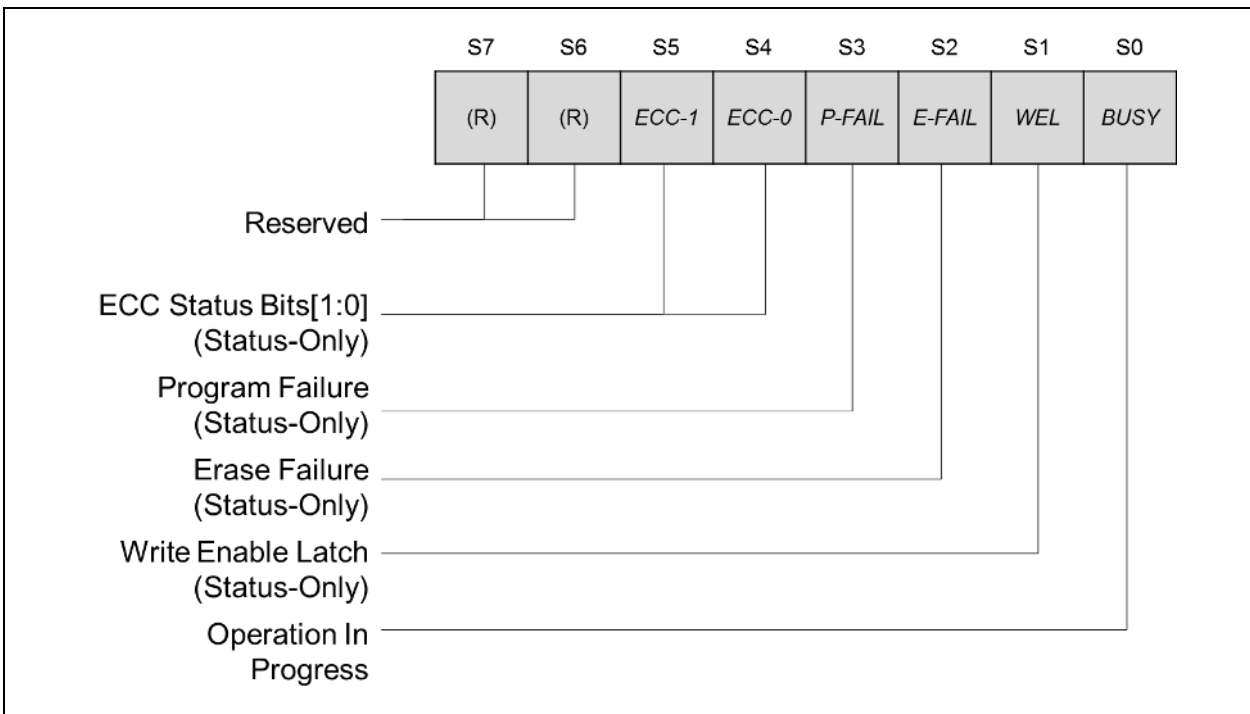


Figure 4c. Status Register-3 (Address Cxh)

#### 7.3.1 Cumulative ECC Status (ECC-1, ECC-0) – Status Only

ECC function is used in NAND flash memory to correct limited memory errors during read operations. Bit flips count in as sector equal or less than 8bits would be detected and corrected. The ECC Status Bits (ECC-1, ECC-0) should be checked after the completion of a Read operation to verify the data integrity. The ECC Status bits values are don't care if ECC-E=0. These bits will be cleared to 0 after a power cycle or a RESET command or a Page Data Read Command.

| ECC Status |       | Descriptions   |
|------------|-------|--|
| ECC-1      | ECC-0 |  |
| 0          | 0     | Entire data output is <b>successful</b> . No bit flips were detected in previous page read.  |
| 0          | 1     | Entire data output is <b>successful</b> . Bit flips were detected and corrected. Bit flip count did not exceed the bit flip detection threshold. The threshold is set by bits [7:4] in address 10h in the feature table. |
| 1          | 0     | Multiple bit flips were detected and not corrected.  |
| 1          | 1     | Bit flips were detected and corrected. Bit flip count *exceeded the bit flip detection threshold. Page data refreshment or remove must be taken to hold data retention.  |

\*note: Bit flip count > BFD setting

**7.3.2 Program Failure (P-FAIL)– Status Only**

The Program Failure Bit is used to indicate whether the internally-controlled Program operation was executed successfully (P-FAIL=0) or timed out (P-FAIL=1). The P-FAIL bit is also set when the Program command is issued to a locked or protected memory array or OTP area. This bit is cleared at the beginning of the Program Execute instruction on an unprotected memory array or OTP area. Device Reset instruction can also clear the P-FAIL bit.

**7.3.3 Erase Failure (E-FAIL)– Status Only**

The Erase Failure Bit is used to indicate whether the internally-controlled Erase operation was executed successfully (E-FAIL=0) or timed out (E-FAIL=1). The E-FAIL bit is also set when the Erase command is issued to a locked or protected memory array. This bit is cleared at the beginning of the Block/Chip Erase instruction on an unprotected memory array. Device Reset instruction can also clear the E-FAIL bit.

**7.3.4 Write Enable Latch (WEL) – Status Only**

Write Enable Latch (WEL) is a read only bit in the status register (S1) that is set to 1 after executing a Write Enable Instruction. The WEL status bit is cleared to 0 when the device is write disabled. A write disable state occurs upon power-up or after any of the following instructions: Write Disable, Program Execute, Block Erase, Page Data Read and Program Execute for OTP pages.

**7.3.5 Erase/Program In Progress (BUSY) – Status Only**

BUSY is a read only bit in the status register (S0) that is set to a 1 state when the device is powering up or executing a Page Data Read, Program Execute, Block Erase. During this time the device will ignore further instructions except for the Read Status Register and Read JEDEC ID instructions. When the program, erase or write status register instruction has completed, the BUSY bit will be cleared to a 0 state indicating the device is ready for further instructions.



## 7.4 Extended Internal ECC feature registers

| Address | Bit   |       |       |       |       |       |      |      |
|---------|-------|-------|-------|-------|-------|-------|------|------|
|         | S7    | S6    | S5    | S4    | S3    | S2    | S1   | S0   |
| 10h     | BFD3  | BFD2  | BFD1  | BFD0  | I     | I     | I    | I    |
| 20h     | I     | I     | I     | I     | BFS3  | BFS2  | BFS1 | BFS0 |
| 30h     | MBF3  | MBF2  | MBF1  | MBF0  | I     | MFS2  | MFS1 | MFS0 |
| 40h     | BFR7  | BFR6  | BFR5  | BFR4  | BFR3  | BFR2  | BFR1 | BFR0 |
| 50h     | BFR15 | BFR14 | BFR13 | BFR12 | BFR11 | BFR10 | BFR9 | BFR8 |

\* I = Reserved Bit

Figure 4d. Extended Internal ECC feature registers

### 7.4.1 ECC Bit Flip Count Detection (BFD) – Volatile Writable

The ECC Bit Flip Count Detection function detects the bit flip count in a page. The users set the threshold bit count using the Write Extended Internal ECC feature registers command. The threshold bit count is decided by the bit flip detection setting bit (BFD) in address 10h in the feature table as shown in Figure 4d. The detected results will be indicated in the BFS bits (bits [7:0]) in address 20h. When bit flips exceed the threshold in a sector, the BFS bits are set after the Page Data Read (13h) command with ECC-E = 1. The setting start from 1 to 7.

| BFD3 | BFD2 | BFD1 | BFD0 | Description                              |
|------|------|------|------|--|
| 0    | 0    | 0    | 0    | Reserved                                 |
| 0    | 0    | 0    | 1    | Detect 1 bit flip in a sector.           |
| 0    | 0    | 1    | 0    | Detect 2 bit flip in a sector.           |
| 0    | 0    | 1    | 1    | Detect 3 bit flip in a sector.           |
| 0    | 1    | 0    | 0    | Detect 4 bit flip in a sector. (default) |
| 0    | 1    | 0    | 1    | Detect 5 bit flip in a sector.           |
| 0    | 1    | 1    | 0    | Detect 6 bit flip in a sector.           |
| 0    | 1    | 1    | 1    | Detect 7 bit flip in a sector.           |
| 1    | X    | X    | X    | Reserved                                 |



#### 7.4.2 ECC Bit Flip Count Detection Status (BFS) – Status Only

| Symbol | Parameter                                   | Status | Description  |
|--------|---|--------|--|
| BFS3   | Bit flip count detection status in sector 3 | 1      | Bit flips count is equal to or more than threshold bit count |
|        |   | 0      | Bit flips count is less than threshold bit count             |
| BFS2   | Bit flip count detection status in sector 2 | 1      | Bit flips count is equal to or more than threshold bit count |
|        |   | 0      | Bit flips count is less than threshold bit count             |
| BFS1   | Bit flip count detection status in sector 1 | 1      | Bit flips count is equal to or more than threshold bit count |
|        |   | 0      | Bit flips count is less than threshold bit count             |
| BFS0   | Bit flip count detection status in sector 0 | 1      | Bit flips count is equal to or more than threshold bit count |
|        |   | 0      | Bit flips count is less than threshold bit count             |

#### 7.4.3 ECC Bit Flip Count Report (BFR) – Status Only

The ECC Bit Flip Count Report function reports the bit flip count of each sector in a page. The users can read the bit flip count using the Read Extended Internal ECC status register command with address 40h and 50h.

| BFR15/11/7/3 | BFR14/10/6/2 | BFR13/9/5/1 | BFR12/8/4/0 | Description   |
|--------------|--------------|-------------|-------------|---|
| 0            | 0            | 0           | 0           | No bit flip in a sector                                   |
| 0            | 0            | 0           | 1           | Detect 1 bit flip in a sector and corrected.              |
| 0            | 0            | 1           | 0           | Detect 2 bit flips in a sector and corrected.             |
| 0            | 0            | 1           | 1           | Detect 3 bit flips in a sector and corrected.             |
| 0            | 1            | 0           | 0           | Detect 4 bit flips in a sector and corrected.             |
| 0            | 1            | 0           | 1           | Detect 5 bit flips in a sector and corrected.             |
| 0            | 1            | 1           | 0           | Detect 6 bit flips in a sector and corrected.             |
| 0            | 1            | 1           | 1           | Detect 7 bit flips in a sector and corrected.             |
| 1            | 0            | 0           | 0           | Detect 8 bit flips in a sector and corrected.             |
| 1            | 1            | 1           | 1           | Bit flips over 8 bits in a sector and were not corrected. |

| BFR set    | Parameter                                    |
|------------|--|
| BFR[15:12] | Bit flip count detection report for sector 3 |
| BFR[11:8]  | Bit flip count detection report for sector 2 |
| BFR[7:4]   | Bit flip count detection report for sector 1 |
| BFR[3:0]   | Bit flip count detection report for sector 0 |





#### 7.4.4 ECC Maximum Bit Flip Count Report (MBF, MFS) – Status Only

The ECC Maximum Bit Flip Count Report function provides the maximum bit flip count in a page. The maximum count is indicated in address 30h of the feature table shown in follow table 4d. The sector number in which the maximum bit flip occurred in a page is indicated in the MFS bit (bits [2:0]) in address 30h as shown in follow table. When several sector's maximum bit flip count are the same, the lowest sector number is indicated in these bits. The users get the report using the Read Extended Internal ECC status register command.

| MBF3 | MBF2 | MBF1 | MBF0 | Description   |
|------|------|------|------|---|
| 0    | 0    | 0    | 0    | No bit error is detected in the page.   |
| 0    | 0    | 0    | 1    | Maximum bit flip count is 1 bit in a sector. Bit flip was corrected.            |
| 0    | 0    | 1    | 0    | Maximum bit flip count is 2 bits in a sector. Bit flips were corrected.         |
| 0    | 0    | 1    | 1    | Maximum bit flip count is 3 bits in a sector. Bit flips were corrected.         |
| 0    | 1    | 0    | 0    | Maximum bit flip count is 4 bits in a sector. Bit flips were corrected.         |
| 0    | 1    | 0    | 1    | Maximum bit flip count is 5 bits in a sector. Bit flips were corrected.         |
| 0    | 1    | 1    | 0    | Maximum bit flip count is 6 bits in a sector. Bit flips were corrected.         |
| 0    | 1    | 1    | 1    | Maximum bit flip count is 7 bits in a sector. Bit flips were corrected.         |
| 1    | 0    | 0    | 0    | Maximum bit flip count is 8 bits in a sector. Bit flips were corrected.         |
| 1    | 1    | 1    | 1    | Maximum bit flip count exceed 8 bits in a sector. Bit flips were not corrected. |

| MFS2 | MFS1 | MFS0 | Description                             |
|------|------|------|---|
| 0    | 0    | 0    | Maximum bit flips occurred in sector 0. |
| 0    | 0    | 1    | Maximum bit flips occurred in sector 1. |
| 0    | 1    | 0    | Maximum bit flips occurred in sector 2. |
| 0    | 1    | 1    | Maximum bit flips occurred in sector 3. |

#### 7.5 Reserved Bits – Non Functional

There are a few reserved Status Register bits that may be read out as a “0” or “1”. It is recommended to ignore the values of those bits. During a “Write Status Register” instruction, the Reserved Bits can be written as “0”, but there will not be any effects.



## 7.6 W25N04KV Status Register Memory Protection

| STATUS REGISTER <sup>(1)</sup> |     |     |     |     | W25N04KV (4G-BIT / 512M-BYTE) MEMORY PROTECTION <sup>(2)</sup> |                                 |                   |                   |
|--------------------------------|-----|-----|-----|-----|--|---------------------------------|-------------------|-------------------|
| TB                             | BP3 | BP2 | BP1 | BP0 | PROTECTED BLOCK(S)   | PROTECTED PAGE ADDRESS PA[23:0] | PROTECTED DENSITY | PROTECTED PORTION |
| X                              | 0   | 0   | 0   | 0   | NONE   | NONE                            | NONE              | NONE              |
| 0                              | 0   | 0   | 0   | 1   | 4092 thru 4095   | 3FF00h – 3FFFFh                 | 512KB             | Upper 1/1024      |
| 0                              | 0   | 0   | 1   | 0   | 4088 thru 4095   | 3FE00h – 3FFFFh                 | 1MB               | Upper 1/512       |
| 0                              | 0   | 0   | 1   | 1   | 4080 thru 4095   | 3FC00h – 3FFFFh                 | 2MB               | Upper 1/256       |
| 0                              | 0   | 1   | 0   | 0   | 4064 thru 4095   | 3F800h – 3FFFFh                 | 4MB               | Upper 1/128       |
| 0                              | 0   | 1   | 0   | 1   | 4032 thru 4095   | 3F000h – 3FFFFh                 | 8MB               | Upper 1/64        |
| 0                              | 0   | 1   | 1   | 0   | 3968 thru 4095   | 3E000h – 3FFFFh                 | 16MB              | Upper 1/32        |
| 0                              | 0   | 1   | 1   | 1   | 3840 thru 4095   | 3C000h – 3FFFFh                 | 32MB              | Upper 1/16        |
| 0                              | 1   | 0   | 0   | 0   | 3584 thru 4095   | 38000h – 3FFFFh                 | 64MB              | Upper 1/8         |
| 0                              | 1   | 0   | 0   | 1   | 3072 thru 4095   | 30000h – 3FFFFh                 | 128MB             | Upper 1/4         |
| 0                              | 1   | 0   | 1   | 0   | 2048 thru 4095   | 20000h – 3FFFFh                 | 256MB             | Upper 1/2         |
| 1                              | 0   | 0   | 0   | 1   | 0 thru 3   | 0000h – 00FFh                   | 512KB             | Lower 1/1024      |
| 1                              | 0   | 0   | 1   | 0   | 0 thru 7   | 0000h – 01FFh                   | 1MB               | Lower 1/512       |
| 1                              | 0   | 0   | 1   | 1   | 0 thru 15  | 0000h – 03FFh                   | 2MB               | Lower 1/256       |
| 1                              | 0   | 1   | 0   | 0   | 0 thru 31  | 0000h – 07FFh                   | 4MB               | Lower 1/128       |
| 1                              | 0   | 1   | 0   | 1   | 0 thru 63  | 0000h – 0FFFh                   | 8MB               | Lower 1/64        |
| 1                              | 0   | 1   | 1   | 0   | 0 thru 127   | 0000h – 1FFFh                   | 16MB              | Lower 1/32        |
| 1                              | 0   | 1   | 1   | 1   | 0 thru 255   | 0000h – 3FFFh                   | 32MB              | Lower 1/16        |
| 1                              | 1   | 0   | 0   | 0   | 0 thru 511   | 0000h – 7FFFh                   | 64MB              | Lower 1/8         |
| 1                              | 1   | 0   | 0   | 1   | 0 thru 1023  | 0000h – FFFFh                   | 128MB             | Lower 1/4         |
| 1                              | 1   | 0   | 1   | 0   | 0 thru 2047  | 0000h – 1FFFFh                  | 256MB             | Lower 1/2         |
| X                              | 1   | 0   | 1   | 1   | 0 thru 4095  | 0000h – 3FFFFh                  | 512MB             | ALL               |
| X                              | 1   | 1   | X   | X   | 0 thru 4095  | 0000h – 3FFFFh                  | 512MB             | ALL               |

**Notes:**

1. X = don't care
2. If any Erase or Program command specifies a memory region that contains protected data portion, this command will be ignored.



## 8. INSTRUCTIONS

The Standard/Dual/Quad SPI instruction set of the W25N04KV consists of 31 basic instructions that are fully controlled through the SPI bus (see Instruction Set Table1, 2). Instructions are initiated with the falling edge of Chip Select (/CS). The first byte of data clocked into the DI input provides the instruction code. Data on the DI input is sampled on the rising edge of clock with most significant bit (MSB) first.

Instructions vary in length from a single byte to several bytes and may be followed by address bytes, data bytes, dummy bytes (don't care), and in some cases, a combination. Instructions are completed with the rising edge of edge /CS. Clock relative timing diagrams for each instruction are included in Figures 5 through 32. All read instructions can be completed after any clocked bit. However, all instructions that Write, Program or Erase must complete on a byte boundary (/CS driven high after a full 8-bits have been clocked) otherwise the instruction will be ignored. This feature further protects the device from inadvertent writes. Additionally, while the device is performing Program or Erase operation, Page Data Read or OTP locking operations, BUSY bit will be high, and all instructions except for Read Status Register or Read JEDEC ID will be ignored until the current operation cycle has completed.

### 8.1 Device ID and Instruction Set Tables

#### 8.1.1 Manufacturer and Device Identification

|                        |                    |
|------------------------|--------------------|
| <b>MANUFACTURER ID</b> | <b>(MF7 – MF0)</b> |
| Winbond Serial Flash   | EFh                |
| <b>Device ID</b>       |                    |
| <b>(ID15 – ID0)</b>    |                    |
| W25N04KV               | AA23h              |



## 8.1.2 Instruction Set Table 1 (Buffer Read, BUF = 1, default)

| Commands                                      | OpCode    | Byte2               | Byte3       | Byte4       | Byte5           | Byte6           | Byte7           | Byte8           | Byte9           |
|---|-----------|---------------------|-------------|-------------|-----------------|-----------------|-----------------|-----------------|-----------------|
| Device RESET                                  | FFh       |                     |             |             |                 |                 |                 |                 |                 |
| JEDEC ID                                      | 9Fh       | Dummy               | <u>EFh</u>  | <u>AAh</u>  | <u>23h</u>      |                 |                 |                 |                 |
| Read Status Register 1                        | 0Fh / 05h | Axh                 | <u>S7-0</u> | <u>S7-0</u> | <u>S7-0</u>     | <u>S7-0</u>     | <u>S7-0</u>     | <u>S7-0</u>     | <u>S7-0</u>     |
| Read Status Register 2                        | 0Fh / 05h | Bxh                 | <u>S7-0</u> | <u>S7-0</u> | <u>S7-0</u>     | <u>S7-0</u>     | <u>S7-0</u>     | <u>S7-0</u>     | <u>S7-0</u>     |
| Read Status Register 3                        | 0Fh / 05h | Cxh                 | <u>S7-0</u> | <u>S7-0</u> | <u>S7-0</u>     | <u>S7-0</u>     | <u>S7-0</u>     | <u>S7-0</u>     | <u>S7-0</u>     |
| Read Extended Internal ECC feature registers  | 0Fh / 05h | 10h/20h/30h/40h/50h | <u>S7-0</u> | <u>S7-0</u> | <u>S7-0</u>     | <u>S7-0</u>     | <u>S7-0</u>     | <u>S7-0</u>     | <u>S7-0</u>     |
| Write Status Register 1                       | 1Fh / 01h | Axh                 | S7-0        |             |                 |                 |                 |                 |                 |
| Write Status Register 2                       | 1Fh / 01h | Bxh                 | S7-0        |             |                 |                 |                 |                 |                 |
| Write Extended Internal ECC feature registers | 1Fh / 01h | 10h                 | S7-0        |             |                 |                 |                 |                 |                 |
| Write Enable                                  | 06h       |                     |             |             |                 |                 |                 |                 |                 |
| Write Disable                                 | 04h       |                     |             |             |                 |                 |                 |                 |                 |
| Block Erase                                   | D8h       | *PA23-16            | PA15-8      | PA7-0       |                 |                 |                 |                 |                 |
| Program Data Load (Reset Buffer)              | 02h       | CA15-8              | CA7-0       | Data-0      | Data-1          | Data-2          | Data-3          | Data-4          | Data-5          |
| Random Program Data Load                      | 84h       | CA15-8              | CA7-0       | Data-0      | Data-1          | Data-2          | Data-3          | Data-4          | Data-5          |
| Quad Program Data Load (Reset Buffer)         | 32h       | CA15-8              | CA7-0       | Data-0 / 4  | Data-1 / 4      | Data-2 / 4      | Data-3 / 4      | Data-4 / 4      | Data-5 / 4      |
| Random Quad Program Data Load                 | 34h       | CA15-8              | CA7-0       | Data-0 / 4  | Data-1 / 4      | Data-2 / 4      | Data-3 / 4      | Data-4 / 4      | Data-5 / 4      |
| Program Execute                               | 10h       | *PA23-16            | PA15-8      | PA7-0       |                 |                 |                 |                 |                 |
| Page Data Read                                | 13h       | *PA23-16            | PA15-8      | PA7-0       |                 |                 |                 |                 |                 |
| Read  | 03h       | CA15-8              | CA7-0       | Dummy       | <u>D7-0</u>     | <u>D7-0</u>     | <u>D7-0</u>     | <u>D7-0</u>     | <u>D7-0</u>     |
| Fast Read                                     | 0Bh       | CA15-8              | CA7-0       | Dummy       | <u>D7-0</u>     | <u>D7-0</u>     | <u>D7-0</u>     | <u>D7-0</u>     | <u>D7-0</u>     |
| Fast Read with 4-Byte Address                 | 0Ch       | CA15-8              | CA7-0       | Dummy       | Dummy           | Dummy           | <u>D7-0</u>     | <u>D7-0</u>     | <u>D7-0</u>     |
| Fast Read Dual Output                         | 3Bh       | CA15-8              | CA7-0       | Dummy       | <u>D7-0 / 2</u> | <u>D7-0 / 2</u> | <u>D7-0 / 2</u> | <u>D7-0 / 2</u> | <u>D7-0 / 2</u> |
| Fast Read Dual Output with 4-Byte Address     | 3Ch       | CA15-8              | CA7-0       | Dummy       | Dummy           | Dummy           | <u>D7-0 / 2</u> | <u>D7-0 / 2</u> | <u>D7-0 / 2</u> |
| Fast Read Quad Output                         | 6Bh       | CA15-8              | CA7-0       | Dummy       | <u>D7-0 / 4</u> | <u>D7-0 / 4</u> | <u>D7-0 / 4</u> | <u>D7-0 / 4</u> | <u>D7-0 / 4</u> |
| Fast Read Quad Output with 4-Byte Address     | 6Ch       | CA15-8              | CA7-0       | Dummy       | Dummy           | Dummy           | <u>D7-0 / 4</u> | <u>D7-0 / 4</u> | <u>D7-0 / 4</u> |
| Fast Read Dual I/O                            | BBh       | CA15-8 / 2          | CA7-0 / 2   | Dummy / 2   | <u>D7-0 / 2</u> | <u>D7-0 / 2</u> | <u>D7-0 / 2</u> | <u>D7-0 / 2</u> | <u>D7-0 / 2</u> |
| Fast Read Dual I/O with 4-Byte Address        | BCh       | CA15-8 / 2          | CA7-0 / 2   | Dummy / 2   | Dummy / 2       | Dummy / 2       | <u>D7-0 / 2</u> | <u>D7-0 / 2</u> | <u>D7-0 / 2</u> |
| Fast Read Quad I/O                            | EBh       | CA15-8 / 4          | CA7-0 / 4   | Dummy / 4   | Dummy / 4       | <u>D7-0 / 4</u> | <u>D7-0 / 4</u> | <u>D7-0 / 4</u> | <u>D7-0 / 4</u> |
| Fast Read Quad I/O with 4-Byte Address        | ECh       | CA15-8 / 4          | CA7-0 / 4   | Dummy / 4   | Dummy / 4       | Dummy / 4       | Dummy / 4       | Dummy / 4       | <u>D7-0 / 4</u> |
| Deep Power-Down                               | B9h       |                     |             |             |                 |                 |                 |                 |                 |
| Release Power-Down                            | ABh       |                     |             |             |                 |                 |                 |                 |                 |
| Enable Reset                                  | 66h       |                     |             |             |                 |                 |                 |                 |                 |
| Reset Device                                  | 99h       |                     |             |             |                 |                 |                 |                 |                 |

\*note: PA[23:17] input would be ignored.



## 8.1.3 Instruction Set Table 2 (Sequential Read, BUF = 0, ECC-E = 0)

| Commands                                      | OpCode    | Byte2               | Byte3       | Byte4       | Byte5       | Byte6           | Byte7           | Byte8           | Byte9           |
|---|-----------|---------------------|-------------|-------------|-------------|-----------------|-----------------|-----------------|-----------------|
| Device RESET                                  | FFh       |                     |             |             |             |                 |                 |                 |                 |
| JEDEC ID                                      | 9Fh       | Dummy               | <u>EFh</u>  | <u>AAh</u>  | <u>23h</u>  |                 |                 |                 |                 |
| Read Status Register 1                        | 0Fh / 05h | Axh                 | <u>S7-0</u> | <u>S7-0</u> | <u>S7-0</u> | <u>S7-0</u>     | <u>S7-0</u>     | <u>S7-0</u>     | <u>S7-0</u>     |
| Read Status Register 2                        | 0Fh / 05h | Bxh                 | <u>S7-0</u> | <u>S7-0</u> | <u>S7-0</u> | <u>S7-0</u>     | <u>S7-0</u>     | <u>S7-0</u>     | <u>S7-0</u>     |
| Read Status Register 3                        | 0Fh / 05h | Cxh                 | <u>S7-0</u> | <u>S7-0</u> | <u>S7-0</u> | <u>S7-0</u>     | <u>S7-0</u>     | <u>S7-0</u>     | <u>S7-0</u>     |
| Read Extended Internal ECC feature registers  | 0Fh / 05h | 10h/20h/30h/40h/50h | <u>S7-0</u> | <u>S7-0</u> | <u>S7-0</u> | <u>S7-0</u>     | <u>S7-0</u>     | <u>S7-0</u>     | <u>S7-0</u>     |
| Write Status Register 1                       | 1Fh / 01h | Axh                 | S7-0        |             |             |                 |                 |                 |                 |
| Write Status Register 2                       | 1Fh / 01h | Bxh                 | S7-0        |             |             |                 |                 |                 |                 |
| Write Extended Internal ECC feature registers | 1Fh / 01h | 10h                 | S7-0        |             |             |                 |                 |                 |                 |
| Write Enable                                  | 06h       |                     |             |             |             |                 |                 |                 |                 |
| Write Disable                                 | 04h       |                     |             |             |             |                 |                 |                 |                 |
| Block Erase                                   | D8h       | *PA23-16            | PA15-8      | PA7-0       |             |                 |                 |                 |                 |
| Program Data Load (Reset Buffer)              | 02h       | CA15-8              | CA7-0       | Data-0      | Data-1      | Data-2          | Data-3          | Data-4          | Data-5          |
| Random Program Data Load                      | 84h       | CA15-8              | CA7-0       | Data-0      | Data-1      | Data-2          | Data-3          | Data-4          | Data-5          |
| Quad Program Data Load (Reset Buffer)         | 32h       | CA15-8              | CA7-0       | Data-0 / 4  | Data-1 / 4  | Data-2 / 4      | Data-3 / 4      | Data-4 / 4      | Data-5 / 4      |
| Random Quad Program Data Load                 | 34h       | CA15-8              | CA7-0       | Data-0 / 4  | Data-1 / 4  | Data-2 / 4      | Data-3 / 4      | Data-4 / 4      | Data-5 / 4      |
| Program Execute                               | 10h       | Dummy               | PA15-8      | PA7-0       |             |                 |                 |                 |                 |
| Page Data Read                                | 13h       | Dummy               | PA15-8      | PA7-0       |             |                 |                 |                 |                 |
| Read  | 03h       | Dummy               | Dummy       | Dummy       | <u>D7-0</u> | <u>D7-0</u>     | <u>D7-0</u>     | <u>D7-0</u>     | <u>D7-0</u>     |
| Fast Read                                     | 0Bh       | Dummy               | Dummy       | Dummy       | Dummy       | <u>D7-0</u>     | <u>D7-0</u>     | <u>D7-0</u>     | <u>D7-0</u>     |
| Fast Read with 4-Byte Address                 | 0Ch       | Dummy               | Dummy       | Dummy       | Dummy       | Dummy           | <u>D7-0</u>     | <u>D7-0</u>     | <u>D7-0</u>     |
| Fast Read Dual Output                         | 3Bh       | Dummy               | Dummy       | Dummy       | Dummy       | <u>D7-0 / 2</u> | <u>D7-0 / 2</u> | <u>D7-0 / 2</u> | <u>D7-0 / 2</u> |
| Fast Read Dual Output with 4-Byte Address     | 3Ch       | Dummy               | Dummy       | Dummy       | Dummy       | Dummy           | <u>D7-0 / 2</u> | <u>D7-0 / 2</u> | <u>D7-0 / 2</u> |
| Fast Read Quad Output                         | 6Bh       | Dummy               | Dummy       | Dummy       | Dummy       | <u>D7-0 / 4</u> | <u>D7-0 / 4</u> | <u>D7-0 / 4</u> | <u>D7-0 / 4</u> |
| Fast Read Quad Output with 4-Byte Address     | 6Ch       | Dummy               | Dummy       | Dummy       | Dummy       | Dummy           | <u>D7-0 / 4</u> | <u>D7-0 / 4</u> | <u>D7-0 / 4</u> |
| Fast Read Dual I/O                            | BBh       | Dummy / 2           | Dummy / 2   | Dummy / 2   | Dummy / 2   | <u>D7-0 / 2</u> | <u>D7-0 / 2</u> | <u>D7-0 / 2</u> | <u>D7-0 / 2</u> |
| Fast Read Dual I/O with 4-Byte Address        | BCh       | Dummy / 2           | Dummy / 2   | Dummy / 2   | Dummy / 2   | Dummy / 2       | <u>D7-0 / 2</u> | <u>D7-0 / 2</u> | <u>D7-0 / 2</u> |
| Fast Read Quad I/O                            | EBh       | Dummy / 4           | Dummy / 4   | Dummy / 4   | Dummy / 4   | Dummy / 4       | Dummy / 4       | <u>D7-0 / 4</u> | <u>D7-0 / 4</u> |
| Fast Read Quad I/O with 4-Byte Address        | ECh       | Dummy / 4           | Dummy / 4   | Dummy / 4   | Dummy / 4   | Dummy / 4       | Dummy / 4       | Dummy / 4       | <u>D7-0 / 4</u> |
| Deep Power-Down                               | B9h       |                     |             |             |             |                 |                 |                 |                 |
| Release Power-Down                            | ABh       |                     |             |             |             |                 |                 |                 |                 |
| Enable Reset                                  | 66h       |                     |             |             |             |                 |                 |                 |                 |
| Reset Device                                  | 99h       |                     |             |             |             |                 |                 |                 |                 |

**Notes:**

1. **D7-0** designates data output from the device.
2. Column Address (CA) only requires CA[11:0], CA[15:12] are considered as dummy bits.
3. Page Address (PA) requires 18 bits. PA[17:6] is the address for 128KB blocks (total 4096 blocks), PA[5:0] is the address for 2KB pages (total 64 pages for each block).
4. Status Register Addresses:
 

|   |            |
|---|------------|
| Status Register 1 / Protection Register:    | Addr = Axh |
| Status Register 2 / Configuration Register: | Addr = Bxh |
| Status Register 3 / Status Register:        | Addr = Cxh |
5. Dual SPI Address Input (**CA15-8 / 2** and **CA7-0 / 2**) format:
 

|       |    |    |       |      |      |      |      |     |
|-------|----|----|-------|------|------|------|------|-----|
| IO0 = | x, | x, | CA10, | CA8, | CA6, | CA4, | CA2, | CA0 |
| IO1 = | x, | x, | CA11, | CA9, | CA7, | CA5, | CA3, | CA1 |
6. Dual SPI Data Output (**D7-0 / 2**) format:
 

|       |     |     |     |     |       |
|-------|-----|-----|-----|-----|-------|
| IO0 = | D6, | D4, | D2, | D0, | ..... |
| IO1 = | D7, | D5, | D3, | D1, | ..... |
7. Quad SPI Address Input (**CA15-8 / 4** and **CA7-0 / 4**) format:
 

|       |    |       |      |     |
|-------|----|-------|------|-----|
| IO0 = | x, | CA8,  | CA4, | CA0 |
| IO1 = | x, | CA9,  | CA5, | CA1 |
| IO2 = | x, | CA10, | CA6, | CA2 |
| IO3 = | x, | CA11, | CA7, | CA3 |
8. Quad SPI Data Input/Output (**D7-0 / 4**) format:
 

|       |     |     |       |
|-------|-----|-----|-------|
| IO0 = | D4, | D0, | ..... |
| IO1 = | D5, | D1, | ..... |
| IO2 = | D6, | D2, | ..... |
| IO3 = | D7, | D3, | ..... |
9. All Quad Program/Read commands are disabled when WP-E bit is set to 1 in the Protection Register.
10. For all Read operations, as soon as /CS signal is brought to high to terminate the read operation, the device will be ready to accept new instructions and all the data inside the Data Buffer will remain unchanged from the previous Page Data Read instruction.
11. For all Read operations in the Sequential Read Mode, once the /CS signal is brought to high to terminate the read operation, the device will still remain busy for tRD3 (BUSY=1), and all the data inside the Data buffer will be lost and un-reliable to use. A new Page Data Read instruction must be issued to reload the correct page data into the Data Buffer.



## 8.2 Instruction Descriptions

### 8.2.1 Device Reset (FFh), Enable Reset (66h) and Reset Device (99h)

Because of the small package and the limitation on the number of pins, the W25N04KV provide a software Reset instruction instead of a dedicated RESET pin. Once the Reset instruction is accepted, any on-going internal operations will be terminated and the device state bits will follow the below table. Once the Reset command is accepted by the device, the device will take approximately tRST to reset, depending on the current operation the device is performing, tRST can be 5us~500us. During this period, no command will be accepted.

Data corruption may happen if there is an on-going internal Erase or Program operation when Reset command sequence is accepted by the device. It is recommended to check the BUSY bit in Status Register before issuing the Reset command.

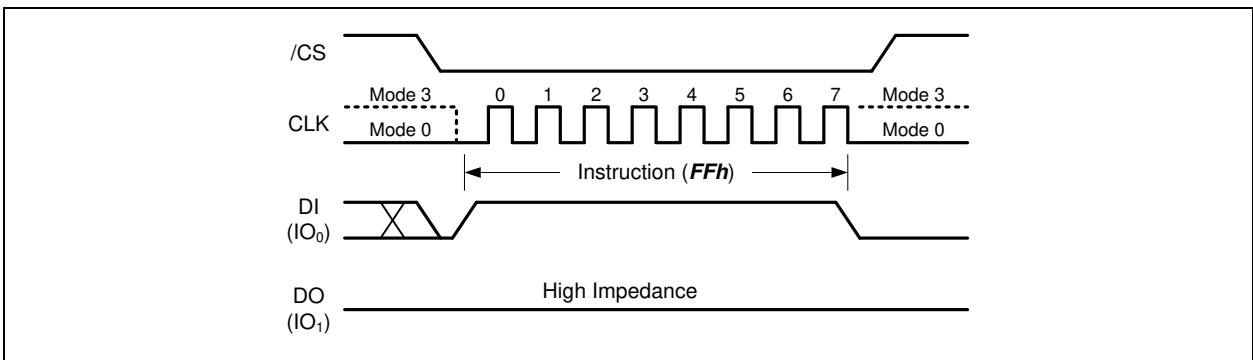


Figure 5a. Device Reset Instruction

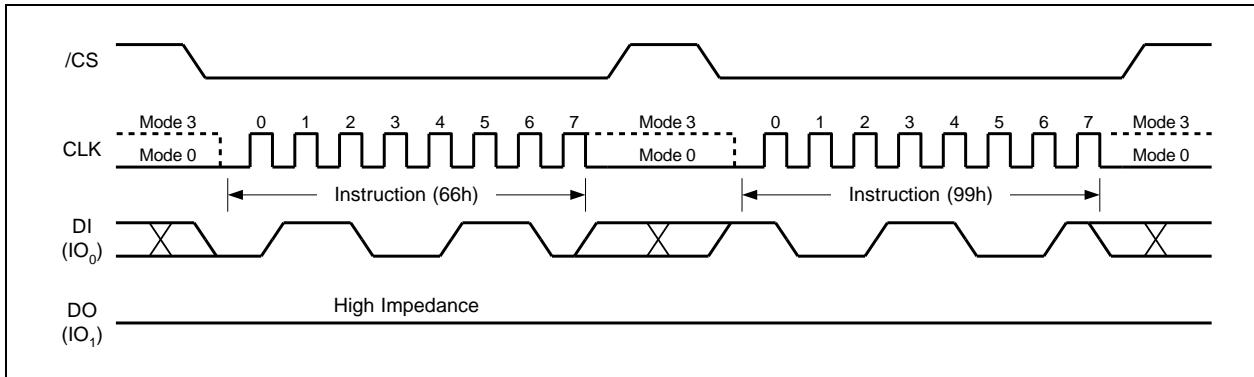


Figure 5b. Enable Reset and Reset Instruction Sequence



| Register                               | Address | Bits        | Shipment default         | Power up after OTP area locked | Power up after SR-1 locked | After Reset (FFh) command | After Reset (66h+99h) command or HW Reset |
|--|---------|-------------|--------------------------|--------------------------------|----------------------------|---------------------------|---|
| Status register - 1                    | Axx     | BP[3:0], TB | 1 1 1 1, 1               | 1 1 1 1, 1                     | xxx, x(locked)             | No change                 | 1 1 1 1, 1                                |
|  |         | SRP[1:0]    | 0 0                      | 0 0                            | 11(locked)                 | No change                 | 0 0                                       |
|  |         | WP-E        | 0                        | 0                              | x(locked)                  | No change                 | 0   |
| Status register - 2                    | Bxx     | OTP-L       | 0                        | 1                              | 0                          | Clear to 0 before OTP set | Clear to 0 before OTP set                 |
|  |         | OTP-E       | 0                        | 0                              | 0                          | 0                         | 0   |
|  |         | SR1-L       | 0                        | 0                              | 1                          | Clear to 0 before OTP set | Clear to 0 before OTP set                 |
|  |         | ECC-E       | 1                        | 1                              | 1                          | No change                 | 1   |
|  |         | BUF         | Based on speical options | Based on speical options       | Based on speical options   | No change                 | Based on speical options                  |
|  |         | ODS[1:0]    | 0 0                      | 0 0                            | 0 0                        | No change                 | 0 0                                       |
|  |         | H-DIS       | 1                        | 1                              | 1                          | No change                 | 1   |
| Status register -3                     | Cxx     | P-FAIL      | 0                        | 0                              | 0                          | 0                         | 0   |
|  |         | E-FAIL      | 0                        | 0                              | 0                          | 0                         | 0   |
|  |         | WEL         | 0                        | 0                              | 0                          | 0                         | 0   |
|  |         | BUSY        | 0                        | 0                              | 0                          | 0                         | 0   |
| Extended Internal ECC feature register | 10h     | BFD[3:0]    | 0 1 0 0                  | 0 1 0 0                        | 0 1 0 0                    | No change                 | 0 1 0 0                                   |
| Page 0 Reload                          |         |             | Page 0 reload            | Page 0 reload                  | Page 0 reload              | Fix no reload             | Option page reload (default no reload)    |

Figure 5c. Default values of the Status Registers after power up and Device Reset





### 8.2.2 Read JEDEC ID (9Fh)

The Read JEDEC ID instruction is compatible with the JEDEC standard for SPI compatible serial memories that was adopted in 2003. The instruction is initiated by driving the /CS pin low and shifting the instruction code “9Fh” followed by 8 dummy clocks. The JEDEC assigned Manufacturer ID byte for Winbond (EFh) and two Device ID bytes are then shifted out on the falling edge of CLK with most significant bit (MSB) first as shown in Figure 6. For memory type and capacity values refer to Manufacturer and Device Identification table.

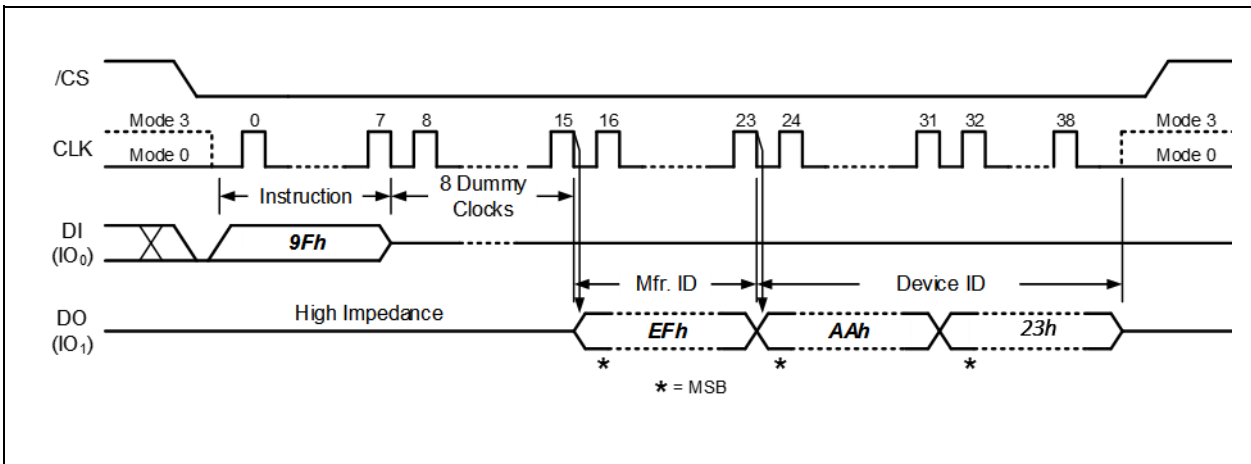


Figure 6. Read JEDEC ID Instruction



### 8.2.3 Read Status Register (0Fh / 05h)

The Read Status Register instructions allow the 8-bit Status Registers to be read. The instruction is entered by driving /CS low and shifting the instruction code “0Fh or 05h” into the DI pin on the rising edge of CLK followed by an 8-bit Status Register Address. The status register bits are then shifted out on the DO pin at the falling edge of CLK with most significant bit (MSB) first as shown in Figure 7. Refer to section 7.1-3 for Status Register descriptions.

The Read Status Register instruction may be used at any time, even while a Program, Erase or Page Read cycle is in progress. This allows the BUSY status bit to be checked to determine when the cycle is complete and if the device can accept another instruction. The Status Register can be read continuously. The instruction is completed by driving /CS high.

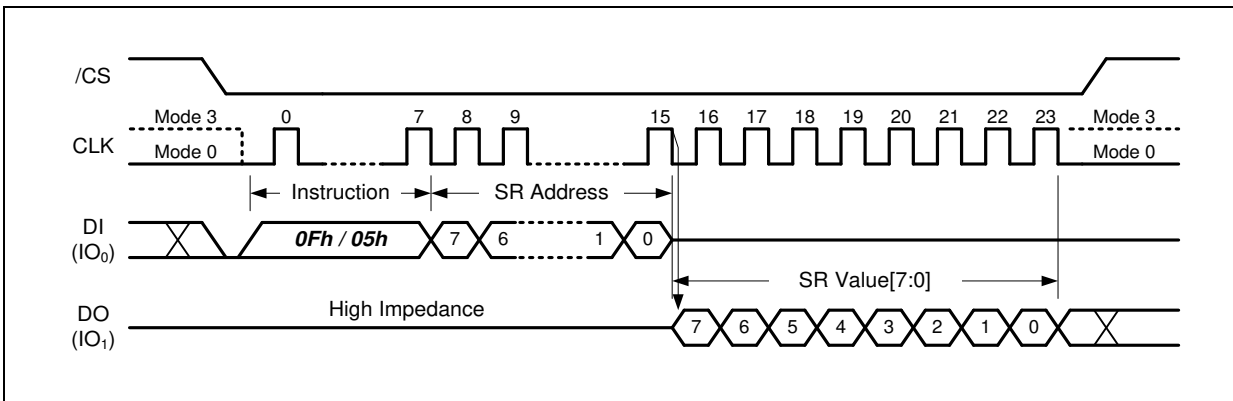


Figure 7. Read Status Register Instruction



### 8.2.4 Write Status Register (1Fh / 01h)

The Write Status Register instruction allows the Status Registers to be written. The writable Status Register bits include: SRP[1:0], TB, BP[3:0] and WP-E bit in Status Register-1; OTP-L, OTP-E, SR1-L and ECC-E in Status Register-2. All other Status Register bit locations are read-only and will not be affected by the Write Status Register instruction.

To write the Status Register bits, the instruction is entered by driving /CS low, sending the instruction code “1Fh or 01h”, followed by an 8-bit Status Register Address, and then writing the status register data byte as illustrated in Figure 8.

Refer to section 7.1-3 for Status Register descriptions. After power up, factory default for BP[3:0], TB, ECC-E bits are 1, while other bits are 0.

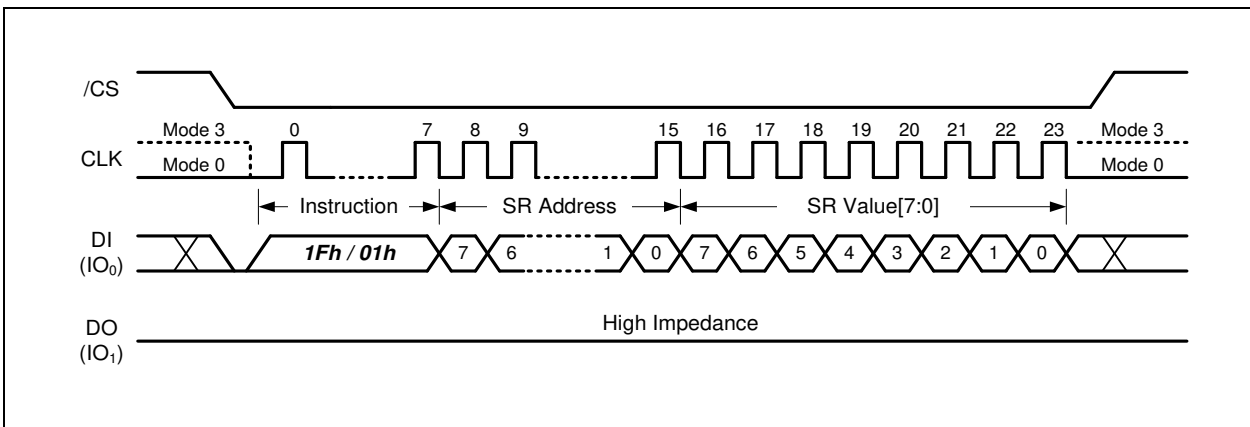


Figure 8. Write Status Register-1/2/3 Instruction



### 8.2.5 Write Enable (06h)

The Write Enable instruction (Figure 9) sets the Write Enable Latch (WEL) bit in the Status Register to a 1. The WEL bit must be set prior to every Load Program Data (02h/84h/32h/34h), Program execute and Block Erase instruction. The Write Enable instruction is entered by driving /CS low, shifting the instruction code "06h" into the Data Input (DI) pin on the rising edge of CLK, and then driving /CS high.

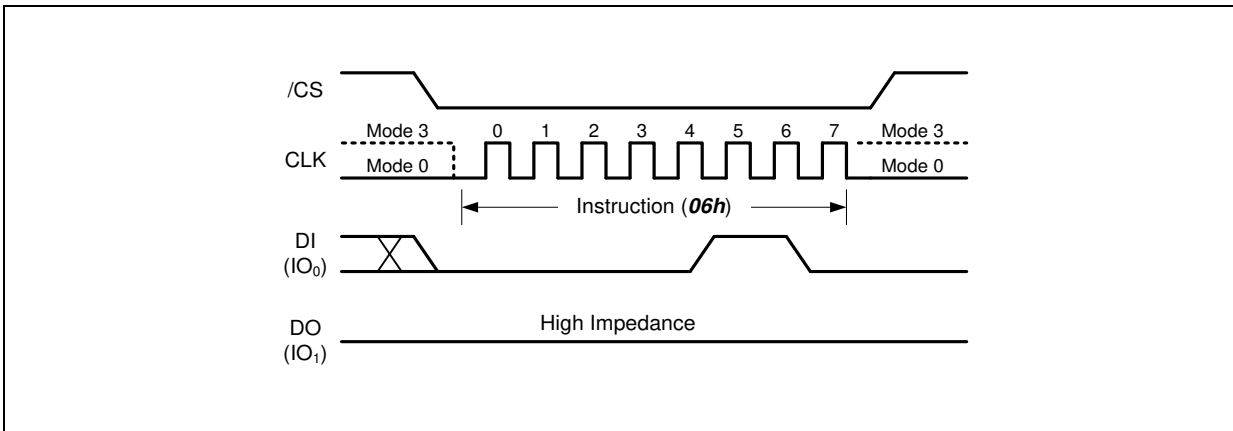


Figure 9. Write Enable Instruction

### 8.2.6 Write Disable (04h)

The Write Disable instruction (Figure 10) resets the Write Enable Latch (WEL) bit in the Status Register to a 0. The Write Disable instruction is entered by driving /CS low, shifting the instruction code "04h" into the DI pin and then driving /CS high. Note that the WEL bit is automatically reset after Power-up and upon completion of the Page Data Read, Program Execute, Block Erase and Reset instructions.

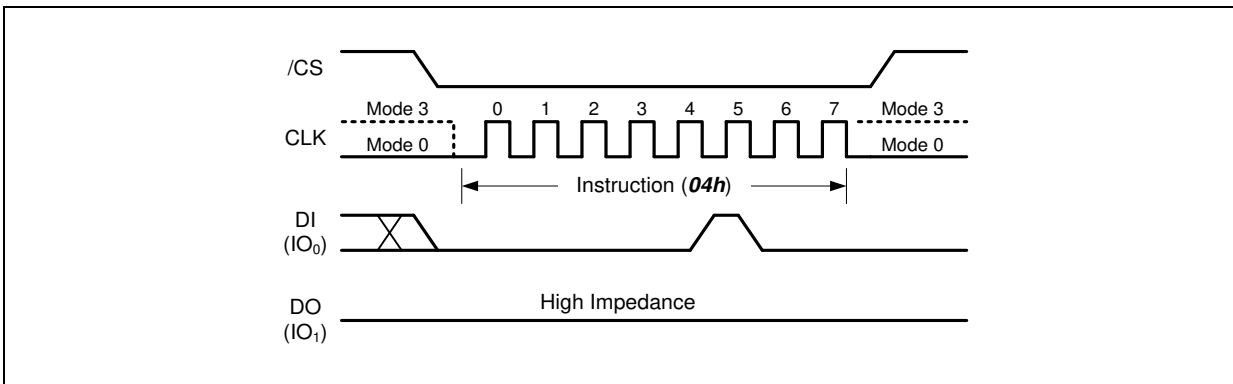


Figure 10. Write Disable Instruction



### 8.2.7 128KB Block Erase (D8h)

The 128KB Block Erase instruction sets all memory within a specified block (64-Pages, 128K-Bytes) to the erased state of all 1s (FFh). A Write Enable instruction must be executed before the device will accept the Block Erase Instruction (Status Register bit WEL must equal 1). The instruction is initiated by driving the /CS pin low and shifting the instruction code "D8h" followed by the 24-bit page address. The Block Erase instruction sequence is shown in Figure 11.

The /CS pin must be driven high after the eighth bit of the last byte has been latched. If this is not done the Block Erase instruction will not be executed. After /CS is driven high, the self-timed Block Erase instruction will commence for a time duration of  $t_{BE}$  (See AC Characteristics). While the Block Erase cycle is in progress, the Read Status Register instruction may still be accessed for checking the status of the BUSY bit. The BUSY bit is a 1 during the Block Erase cycle and becomes a 0 when the cycle is finished and the device is ready to accept other instructions again. After the Block Erase cycle has finished the Write Enable Latch (WEL) bit in the Status Register is cleared to 0. The Block Erase instruction will not be executed if the addressed block is protected by the Block Protect (TB, BP3, BP2, BP1, and BP0) bits.

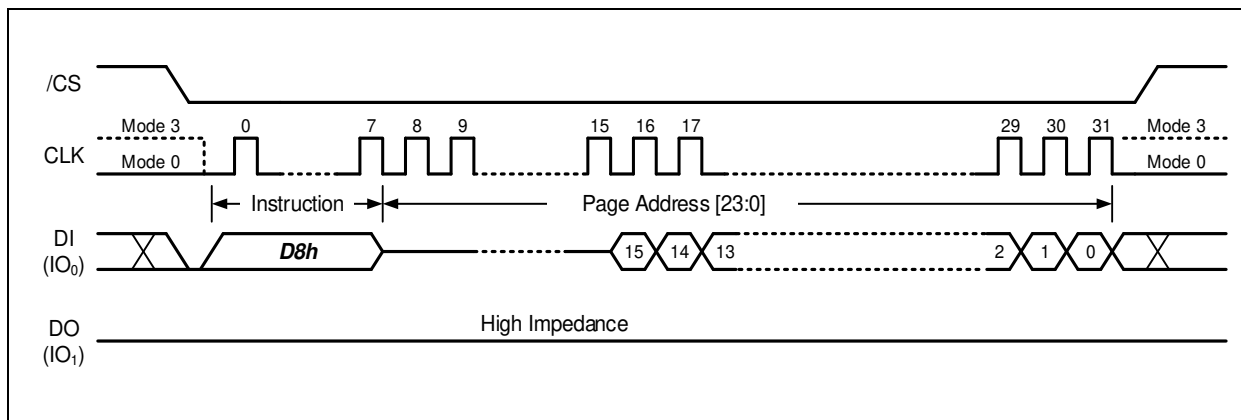


Figure 11. 128KB Block Erase Instruction



### 8.2.8 Load Program Data (02h) / Random Load Program Data (84h)

The Program operation allows from one byte to 2,176 bytes (a page) of data to be programmed at previously erased (FFh) memory locations. A Program operation involves two steps: 1. Load the program data into the Data Buffer. 2. Issue "Program Execute" command to transfer the data from Data Buffer to the specified memory page.

A Write Enable instruction must be executed before the device will accept the Load Program Data Instructions (Status Register bit WEL= 1). The "Load Program Data" or "Random Load Program Data" instruction is initiated by driving the /CS pin low then shifting the instruction code "02h" or "84h" followed by a 16-bit column address (only CA[11:0] is effective) and at least one byte of data into the DI pin. The /CS pin must be held low for the entire length of the instruction while data is being sent to the device. If the number of data bytes sent to the device exceeds the number of data bytes in the Data Buffer, the extra data will be ignored by the device. The Load Program Data instruction sequence is shown in Figure 12.

Both "Load Program Data" and "Random Load Program Data" instructions share the same command sequence. The difference is that "Load Program Data" instruction will reset the unused data bytes in the Data Buffer to FFh value, while "Random Load Program Data" instruction will only update the data bytes that are specified by the command input sequence, the rest of the Data Buffer will remain unchanged.

If internal ECC algorithm is enabled, all 2,176 bytes of data will be accepted, but the bytes designated for ECC parity bits in the extra 64 bytes section will be overwritten by the ECC calculation. If the ECC-E bit is set to a 0 to disable the internal ECC, the extra 64 bytes section can be used for external ECC purpose or other usage.

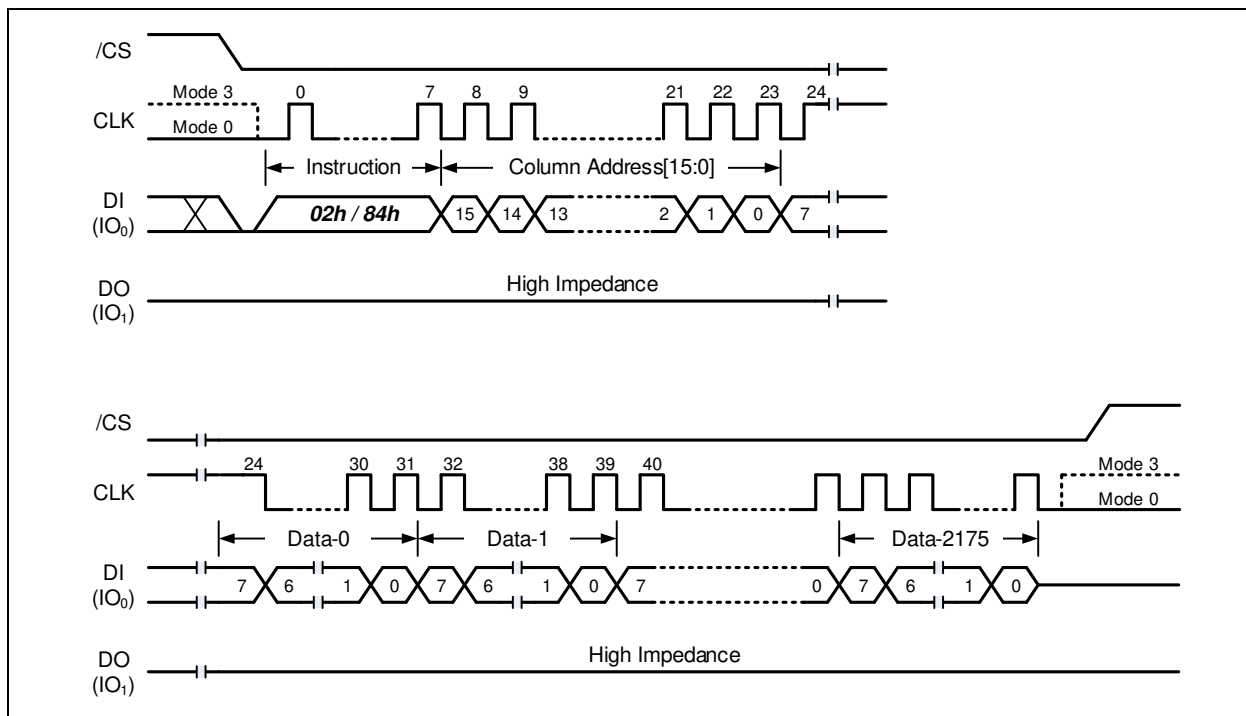


Figure 12. Load / Random Load Program Data Instruction



**8.2.9 Quad Load Program Data (32h) / Quad Random Load Program Data (34h)**

The “Quad Load Program Data” and “Quad Random Load Program Data” instructions are identical to the “Load Program Data” and “Random Load Program Data” in terms of operation sequence and functionality. The only difference is that “Quad Load” instructions will input the data bytes from all four IO pins instead of the single DI pin. This method will significantly shorten the data input time when a large amount of data needs to be loaded into the Data Buffer. The instruction sequence is illustrated in Figure 13.

Both “Quad Load Program Data” and “Quad Random Load Program Data” instructions share the same command sequence. The difference is that “Quad Load Program Data” instruction will reset the unused data bytes in the Data Buffer to FFh value, while “Quad Random Load Program Data” instruction will only update the data bytes that are specified by the command input sequence, the rest of the Data Buffer will remain unchanged.

When WP-E bit in the Status Register is set to a 1, all Quad SPI instructions are disabled.

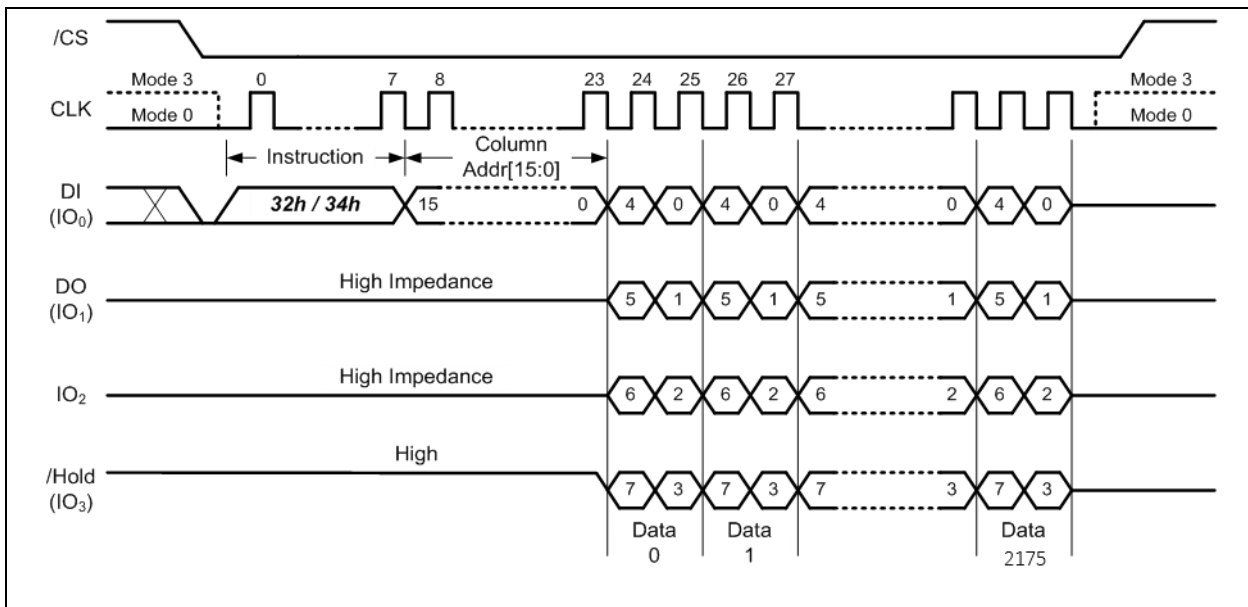


Figure 13. Quad Load / Quad Random Load Program Data Instruction



### 8.2.10 Program Execute (10h)

The Program Execute instruction is the second step of the Program operation. After the program data are loaded into the 2,176-Byte Data Buffer (or 2,048 bytes when ECC is enabled), the Program Execute instruction will program the Data Buffer content into the physical memory page that is specified in the instruction. The instruction is initiated by driving the /CS pin low then shifting the instruction code “10h” followed by 24-bit Page Address into the DI pin as shown in Figure 14.

The pages within the block have to be programmed sequentially from the lower order page address to the higher order page address within the block. Programming pages out of sequence is prohibited.

After /CS is driven high to complete the instruction cycle, the self-timed Program Execute instruction will commence for a time duration of  $t_{pp}$  (See AC Characteristics). While the Program Execute cycle is in progress, the Read Status Register instruction may still be used for checking the status of the BUSY bit. The BUSY bit is a 1 during the Program Execute cycle and becomes a 0 when the cycle is finished and the device is ready to accept other instructions again. After the Program Execute cycle has finished, the Write Enable Latch (WEL) bit in the Status Register is cleared to 0. The Program Execute instruction will not be executed if the addressed page is protected by the Block Protect (TB, BP3, BP2, BP1, and BP0) bits.

Do not cross plane address boundaries to apply the Program Execute operation. The page data read from one plane cannot program to different plane.

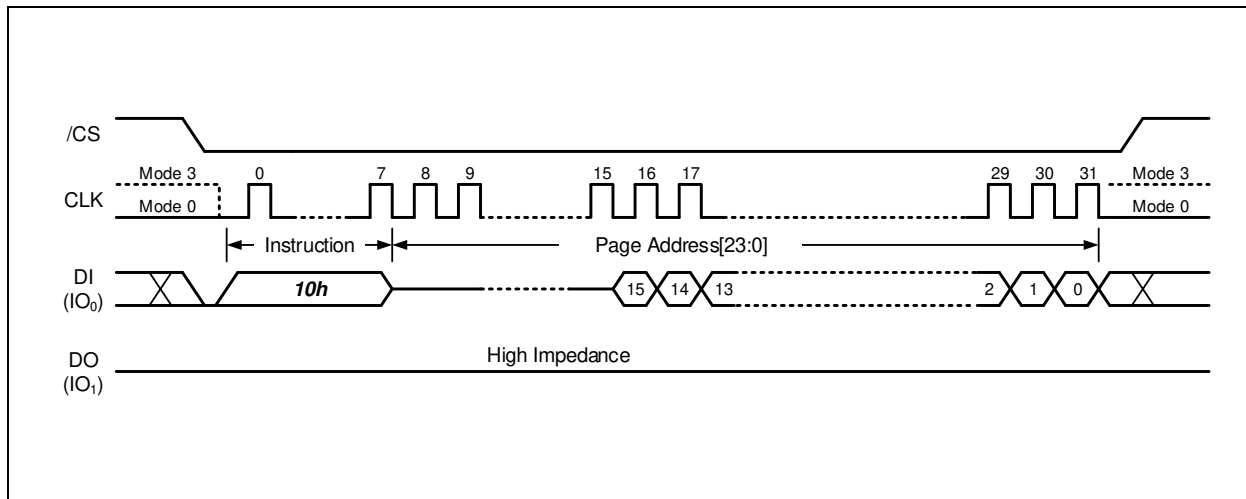


Figure 14. Program Execute Instruction





**8.2.11 Page Data Read (13h)**

The Page Data Read instruction will transfer the data of the specified memory page into the 2,176-Byte Data Buffer. The instruction is initiated by driving the /CS pin low then shifting the instruction code “13h” followed by 24-bit Page Address into the DI pin as shown in Figure 15.

After /CS is driven high to complete the instruction cycle, the self-timed Page Data Read instruction will commence for a time duration of tRD (See AC Characteristics). While the Page Data Read cycle is in progress, the Read Status Register instruction may still be used for checking the status of the BUSY bit. The BUSY bit is a 1 during the Page Data Read cycle and becomes a 0 when the cycle is finished and the device is ready to accept other instructions again.

After the 2,176 bytes of page data are loaded into the Data Buffer, several Read instructions can be issued to access the Data Buffer and read out the data.

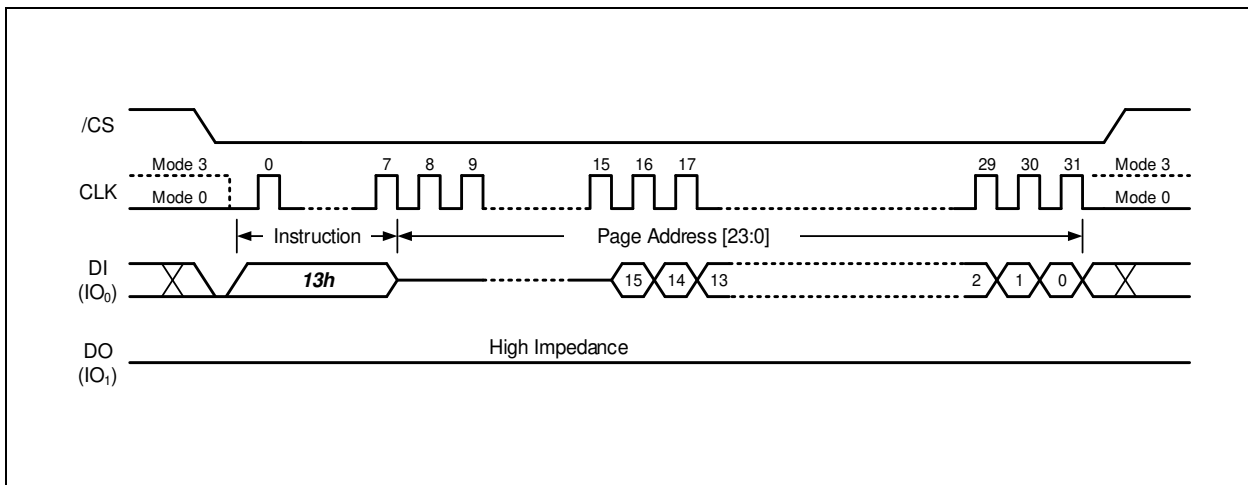


Figure 15. Page Data Read Instruction



**8.2.12 Read Data (03h)**

The Read Data instruction allows one or more data bytes to be sequentially read from the Data Buffer after executing the Read Page Data instruction. The Read Data instruction is initiated by driving the /CS pin low and then shifting the instruction code “03h” followed by the 16-bit Column Address and 8-bit dummy clocks or a 24-bit dummy clocks into the DI pin. After the address is received, the data byte of the addressed Data Buffer location will be shifted out on the DO pin at the falling edge of CLK with most significant bit (MSB) first. The address is automatically incremented to the next higher address after each byte of data is shifted out allowing for a continuous stream of data. The instruction is completed by driving /CS high.

The Read Data instruction sequence is shown in Figure 16a & 16b. When BUF=1, the device is in the Buffer Read Mode. The data output sequence will start from the Data Buffer location specified by the 16-bit Column Address and continue to the end of the Data Buffer. Once the last byte of data is output, the output pin will become Hi-Z state. When BUF=0, the device is in the Sequential Read Mode, the data output sequence will start from the first byte of the Data Buffer and increment to the next higher address. When the end of the Data Buffer is reached, the data of the first byte of next memory page will be following and continues through the entire memory array. This allows using a single Read instruction to read out the entire memory array and is also compatible to Winbond’s NOR flash memory command sequence.

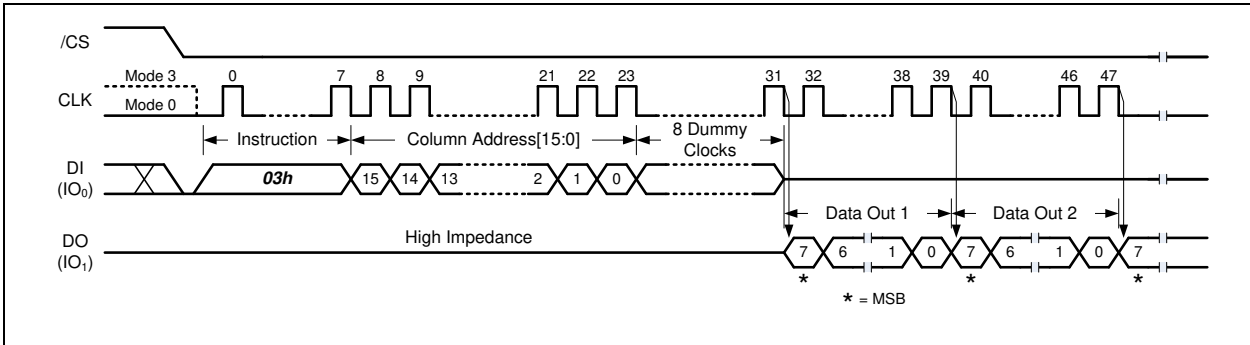


Figure 16a. Read Data Instruction (Buffer Read Mode, BUF=1)

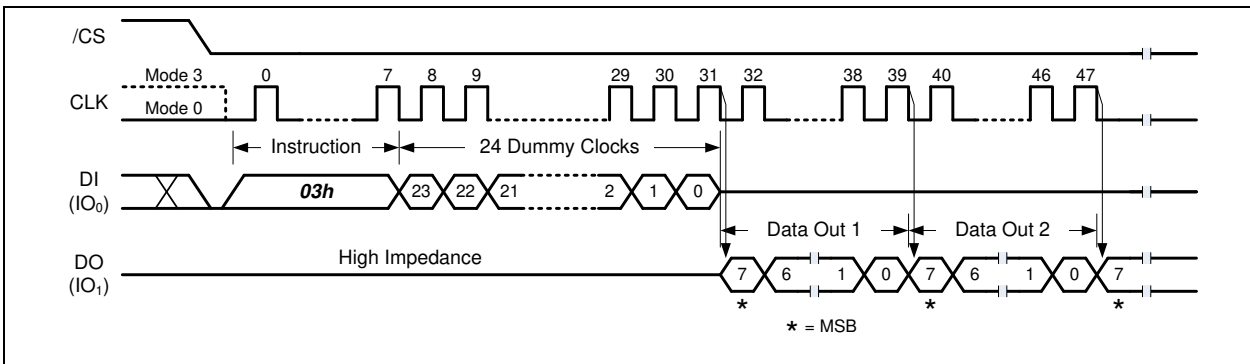


Figure 16b. Read Data Instruction (Sequential Read Mode, BUF=0)



**8.2.13 Fast Read (0Bh)**

The Fast Read instruction allows one or more data bytes to be sequentially read from the Data Buffer after executing the Read Page Data instruction. The Fast Read instruction is initiated by driving the /CS pin low and then shifting the instruction code “0Bh” followed by the 16-bit Column Address and 8-bit dummy clocks or a 32-bit dummy clocks into the DI pin. After the address is received, the data byte of the addressed Data Buffer location will be shifted out on the DO pin at the falling edge of CLK with most significant bit (MSB) first. The address is automatically incremented to the next higher address after each byte of data is shifted out allowing for a continuous stream of data. The instruction is completed by driving /CS high.

The Fast Read instruction sequence is shown in Figure 17a & 17b. When BUF=1, the device is in the Buffer Read Mode. The data output sequence will start from the Data Buffer location specified by the 16-bit Column Address and continue to the end of the Data Buffer. Once the last byte of data is output, the output pin will become Hi-Z state. When BUF=0, the device is in the Sequential Read Mode, the data output sequence will start from the first byte of the Data Buffer and increment to the next higher address. When the end of the Data Buffer is reached, the data of the first byte of next memory page will be following and continues through the entire memory array. This allows using a single Read instruction to read out the entire memory array and is also compatible to Winbond’s NOR SpiFlash memory command sequence.

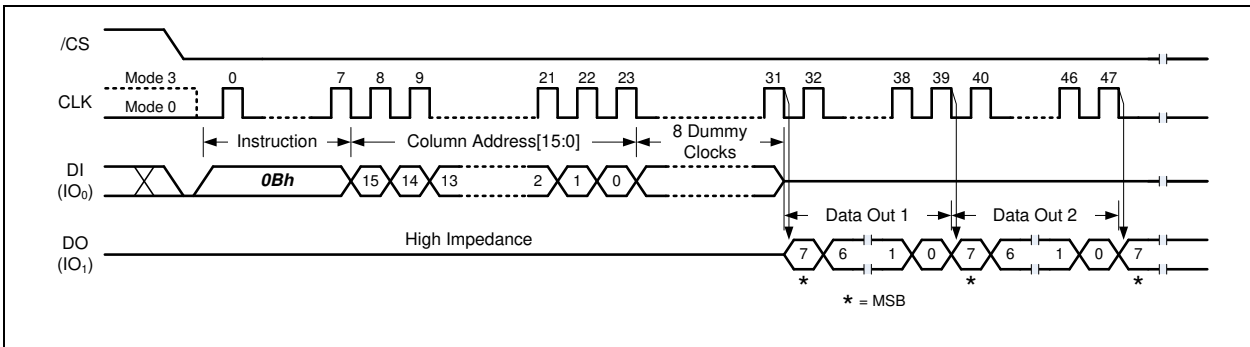


Figure 17a. Fast Read Instruction (Buffer Read Mode, BUF=1)

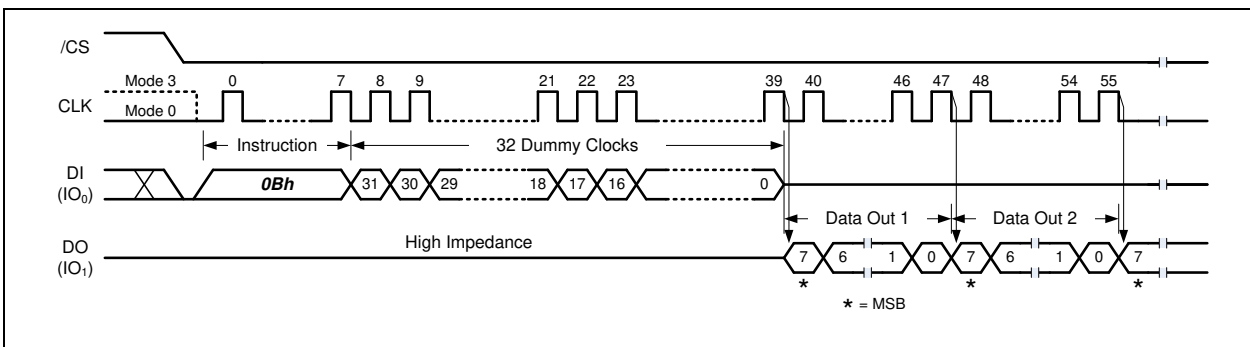


Figure 17b. Fast Read Instruction (Sequential Read Mode, BUF=0)



### 8.2.14 Fast Read with 4-Byte Address (0Ch)

The Fast Read instruction allows one or more data bytes to be sequentially read from the Data Buffer after executing the Read Page Data instruction. The Fast Read instruction is initiated by driving the /CS pin low and then shifting the instruction code “0Ch” followed by the 16-bit Column Address and 24-bit dummy clocks (when BUF=1) or a 40-bit dummy clocks (when BUF=0) into the DI pin. After the address is received, the data byte of the addressed Data Buffer location will be shifted out on the DO pin at the falling edge of CLK with most significant bit (MSB) first. The address is automatically incremented to the next higher address after each byte of data is shifted out allowing for a continuous stream of data. The instruction is completed by driving /CS high.

The Fast Read instruction sequence is shown in Figure 21a & 21b. When BUF=1, the device is in the Buffer Read Mode. The data output sequence will start from the Data Buffer location specified by the 16-bit Column Address and continue to the end of the Data Buffer. Once the last byte of data is output, the output pin will become Hi-Z state. When BUF=0, the device is in the Sequential Read Mode, the data output sequence will start from the first byte of the Data Buffer and increment to the next higher address. When the end of the Data Buffer is reached, the data of the first byte of next memory page will be following and continues through the entire memory array. This allows using a single Read instruction to read out the entire memory array and is also compatible to Winbond’s NOR SpiFlash memory command sequence.

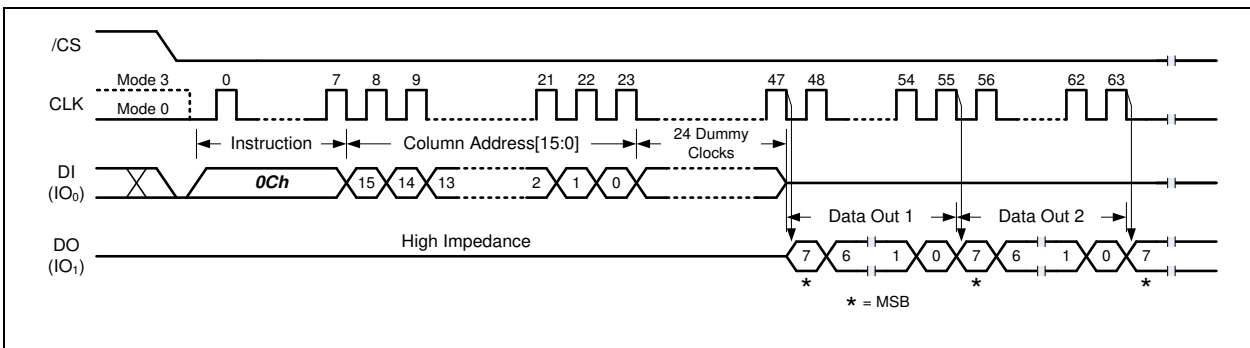


Figure 18a. Fast Read with 4-Byte Address Instruction (Buffer Read Mode, BUF=1)

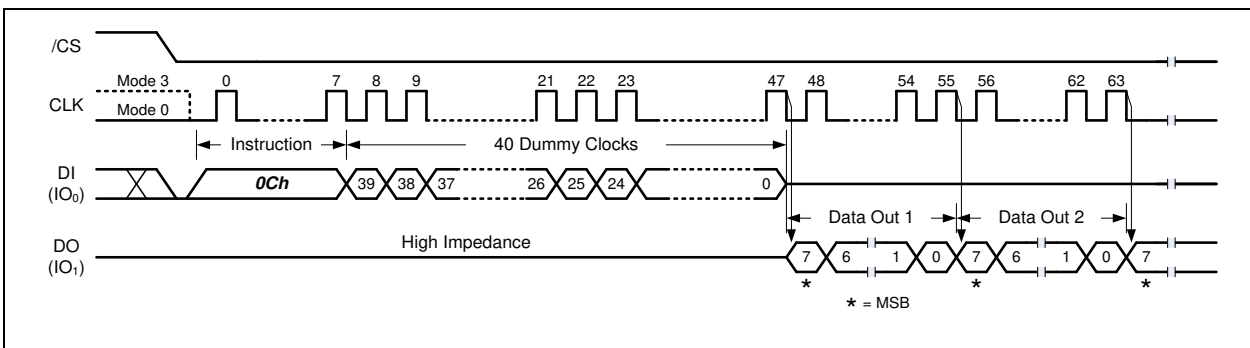


Figure 18b. Fast Read with 4-Byte Address Instruction (Sequential Read Mode, BUF=0)



### 8.2.15 Fast Read Dual Output (3Bh)

The Fast Read Dual Output (3Bh) instruction is similar to the standard Fast Read (0Bh) instruction except that data is output on two pins; IO<sub>0</sub> and IO<sub>1</sub>. This allows data to be transferred at twice the rate of standard SPI devices.

The Fast Read Dual Output instruction sequence is shown in Figure 19a & 19b. When BUF=1, the device is in the Buffer Read Mode. The data output sequence will start from the Data Buffer location specified by the 16-bit Column Address and continue to the end of the Data Buffer. Once the last byte of data is output, the output pin will become Hi-Z state. When BUF=0, the device is in the Sequential Read Mode, the data output sequence will start from the first byte of the Data Buffer and increment to the next higher address. When the end of the Data Buffer is reached, the data of the first byte of next memory page will be following and continues through the entire memory array. This allows using a single Read instruction to read out the entire memory array and is also compatible to Winbond's NOR SpiFlash memory command sequence.

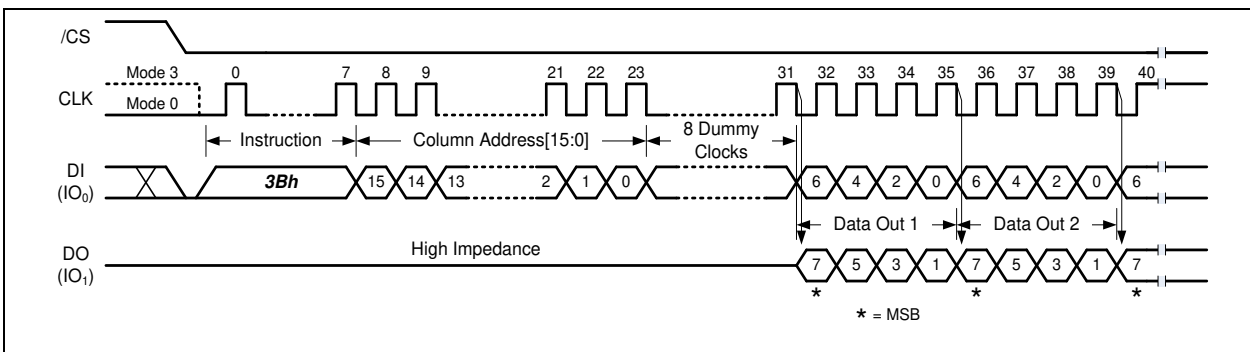


Figure 19a. Fast Read Dual Output Instruction (Buffer Read Mode, BUF=1)

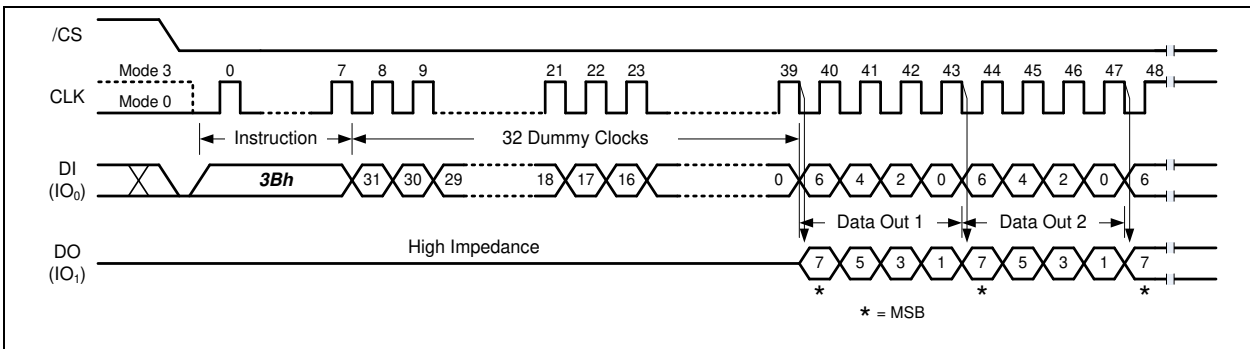


Figure 19b. Fast Read Dual Output Instruction (Sequential Read Mode, BUF=0)



**8.2.16 Fast Read Dual Output with 4-Byte Address (3Ch)**

The Fast Read Dual Output (3Ch) instruction is similar to the standard Fast Read (0Bh) instruction except that data is output on two pins; IO<sub>0</sub> and IO<sub>1</sub>. This allows data to be transferred at twice the rate of standard SPI devices.

The Fast Read Dual Output instruction sequence is shown in Figure 20a & 20b. When BUF=1, the device is in the Buffer Read Mode. The data output sequence will start from the Data Buffer location specified by the 16-bit Column Address and continue to the end of the Data Buffer. Once the last byte of data is output, the output pin will become Hi-Z state. When BUF=0, the device is in the Sequential Read Mode, the data output sequence will start from the first byte of the Data Buffer and increment to the next higher address. When the end of the Data Buffer is reached, the data of the first byte of next memory page will be following and continues through the entire memory array. This allows using a single Read instruction to read out the entire memory array and is also compatible to Winbond's NOR SpiFlash memory command sequence.

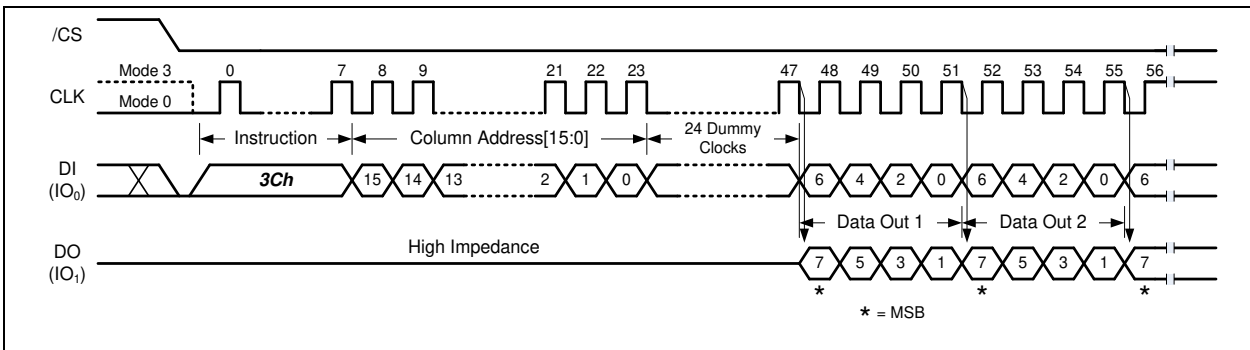


Figure 20a. Fast Read Dual Output with 4-Byte Address Instruction (Buffer Read Mode, BUF=1)

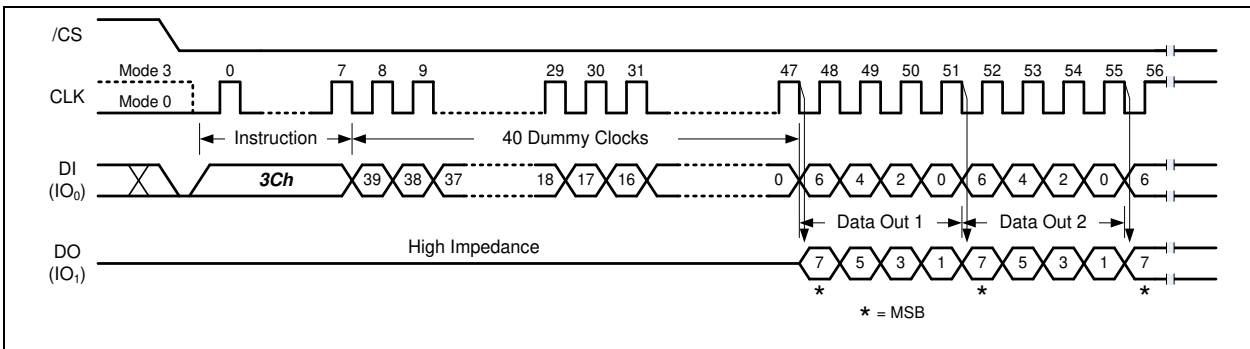


Figure 20b. Fast Read Dual Output with 4-Byte Address Instruction (Sequential Read Mode, BUF=0)



**8.2.17 Fast Read Quad Output (6Bh)**

The Fast Read Quad Output (6Bh) instruction is similar to the Fast Read Dual Output (3Bh) instruction except that data is output on four pins, IO<sub>0</sub>, IO<sub>1</sub>, IO<sub>2</sub>, and IO<sub>3</sub>. The Fast Read Quad Output Instruction allows data to be transferred at four times the rate of standard SPI devices.

The Fast Read Quad Output instruction sequence is shown in Figure 21a & 21b. When BUF=1, the device is in the Buffer Read Mode. The data output sequence will start from the Data Buffer location specified by the 16-bit Column Address and continue to the end of the Data Buffer. Once the last byte of data is output, the output pin will become Hi-Z state. When BUF=0, the device is in the Sequential Read Mode, the data output sequence will start from the first byte of the Data Buffer and increment to the next higher address. When the end of the Data Buffer is reached, the data of the first byte of next memory page will be following and continues through the entire memory array. This allows using a single Read instruction to read out the entire memory array and is also compatible to Winbond's NOR SpiFlash memory command sequence.

When WP-E bit in the Status Register is set to a 1, this instruction is disabled.

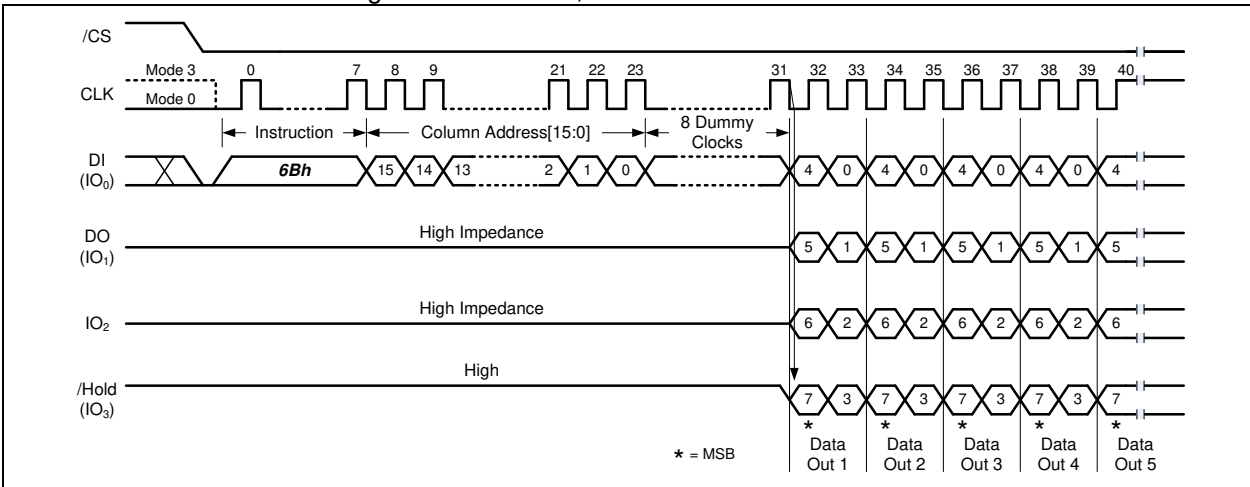


Figure 21a. Fast Read Quad Output Instruction (Buffer Read Mode, BUF=1)

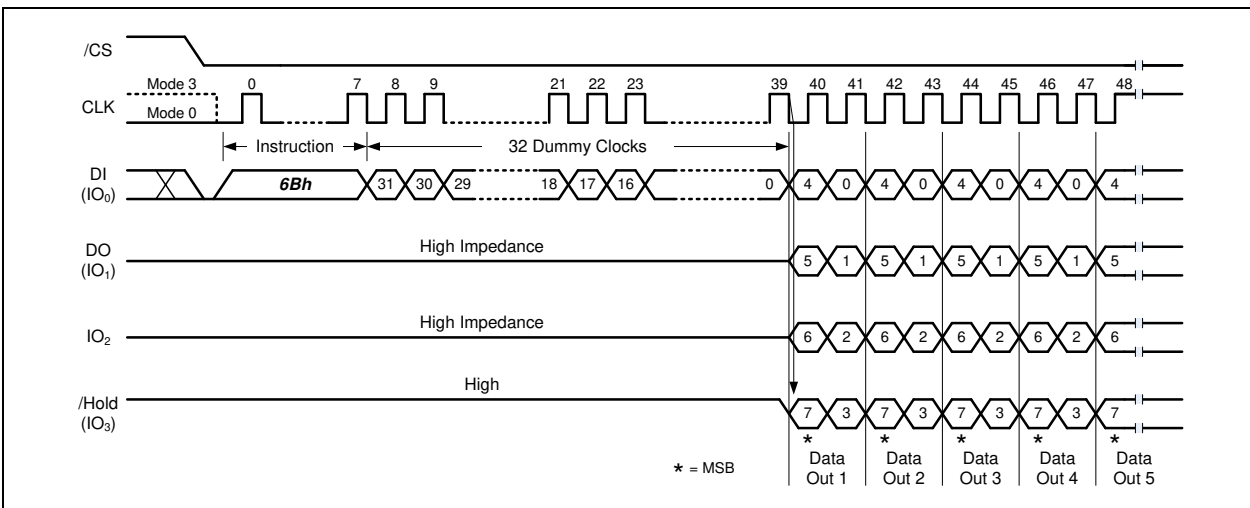


Figure 21b. Fast Read Quad Output Instruction (Sequential Read Mode, BUF=0)



**8.2.18 Fast Read Quad Output with 4-Byte Address (6Ch)**

The Fast Read Quad Output (6Ch) instruction is similar to the Fast Read Dual Output (3Bh) instruction except that data is output on four pins, IO<sub>0</sub>, IO<sub>1</sub>, IO<sub>2</sub>, and IO<sub>3</sub>. The Fast Read Quad Output Instruction allows data to be transferred at four times the rate of standard SPI devices.

The Fast Read Quad Output instruction sequence is shown in Figure 22a & 22b. When BUF=1, the device is in the Buffer Read Mode. The data output sequence will start from the Data Buffer location specified by the 16-bit Column Address and continue to the end of the Data Buffer. Once the last byte of data is output, the output pin will become Hi-Z state. When BUF=0, the device is in the Sequential Read Mode, the data output sequence will start from the first byte of the Data Buffer and increment to the next higher address. When the end of the Data Buffer is reached, the data of the first byte of next memory page will be following and continues through the entire memory array. This allows using a single Read instruction to read out the entire memory array and is also compatible to Winbond's NOR SpiFlash memory command sequence.

When WP-E bit in the Status Register is set to a 1, this instruction is disabled.

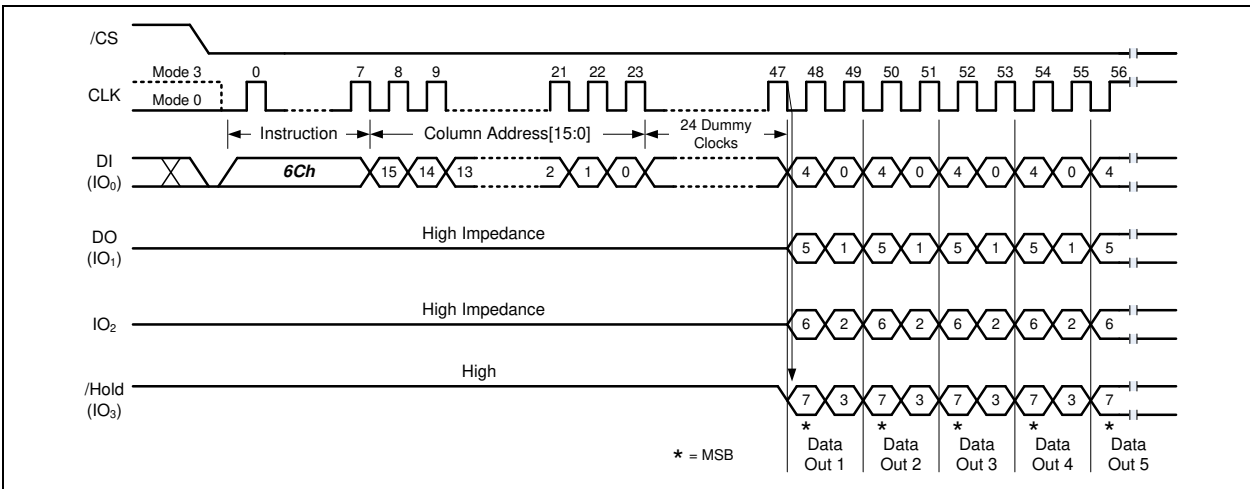


Figure 22a. Fast Read Quad Output with 4-Byte Address Instruction (Buffer Read Mode, BUF=1)

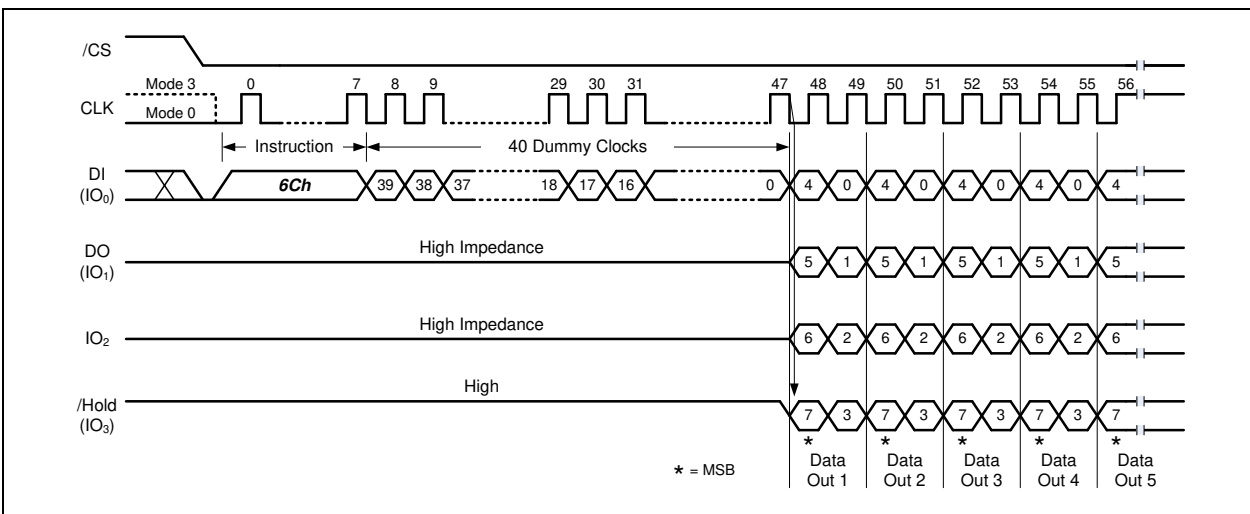


Figure 22b. Fast Read Quad Output with 4-Byte Address Instruction (Sequential Read Mode, BUF=0)





**8.2.19 Fast Read Dual I/O (BBh)**

The Fast Read Dual I/O (BBh) instruction allows for improved random access while maintaining two IO pins, IO<sub>0</sub> and IO<sub>1</sub>. It is similar to the Fast Read Dual Output (3Bh) instruction but with the capability to input the Column Address or the dummy clocks two bits per clock. This reduced instruction overhead may allow for code execution (XIP) directly from the Dual SPI in some applications.

The Fast Read Quad Output instruction sequence is shown in Figure 23a & 23b. When BUF=1, the device is in the Buffer Read Mode. The data output sequence will start from the Data Buffer location specified by the 16-bit Column Address and continue to the end of the Data Buffer. Once the last byte of data is output, the output pin will become Hi-Z state. When BUF=0, the device is in the Sequential Read Mode, the data output sequence will start from the first byte of the Data Buffer and increment to the next higher address. When the end of the Data Buffer is reached, the data of the first byte of next memory page will be following and continues through the entire memory array. This allows using a single Read instruction to read out the entire memory array and is also compatible to Winbond's NOR SpiFlash memory command sequence.

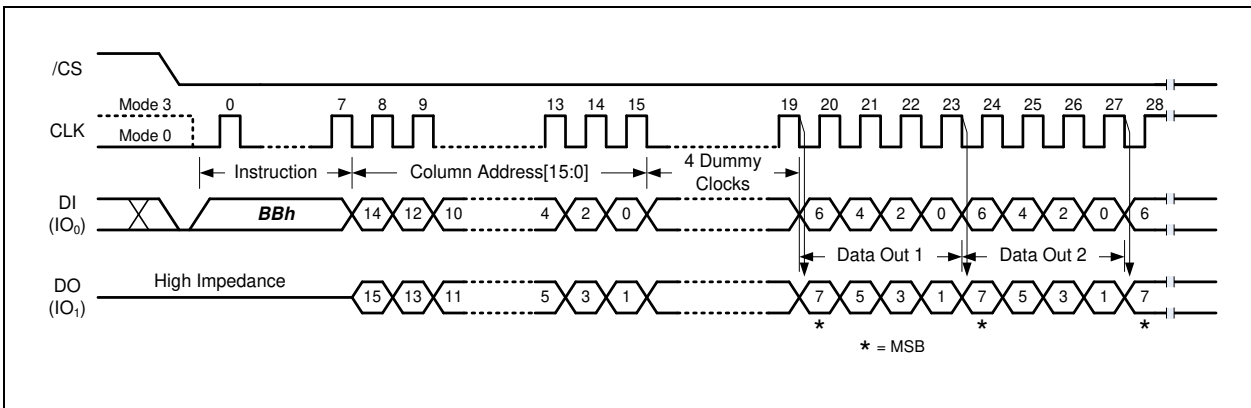


Figure 23a. Fast Read Dual I/O Instruction (Buffer Read Mode, BUF=1)

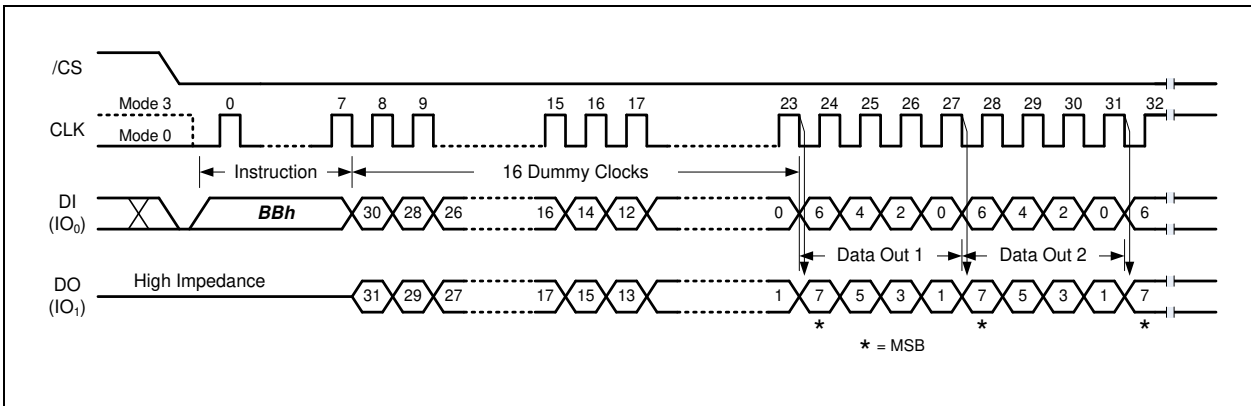


Figure 23b. Fast Read Dual I/O Instruction (Sequential Read Mode, BUF=0)



**8.2.20 Fast Read Dual I/O with 4-Byte Address (BCh)**

The Fast Read Dual I/O (BCh) instruction allows for improved random access while maintaining two IO pins, IO<sub>0</sub> and IO<sub>1</sub>. It is similar to the Fast Read Dual Output (3Bh) instruction but with the capability to input the Column Address or the dummy clocks two bits per clock. This reduced instruction overhead may allow for code execution (XIP) directly from the Dual SPI in some applications.

The Fast Read Quad Output instruction sequence is shown in Figure 24a & 24b. When BUF=1, the device is in the Buffer Read Mode. The data output sequence will start from the Data Buffer location specified by the 16-bit Column Address and continue to the end of the Data Buffer. Once the last byte of data is output, the output pin will become Hi-Z state. When BUF=0, the device is in the Sequential Read Mode, the data output sequence will start from the first byte of the Data Buffer and increment to the next higher address. When the end of the Data Buffer is reached, the data of the first byte of next memory page will be following and continues through the entire memory array. This allows using a single Read instruction to read out the entire memory array and is also compatible to Winbond's NOR SpiFlash memory command sequence.

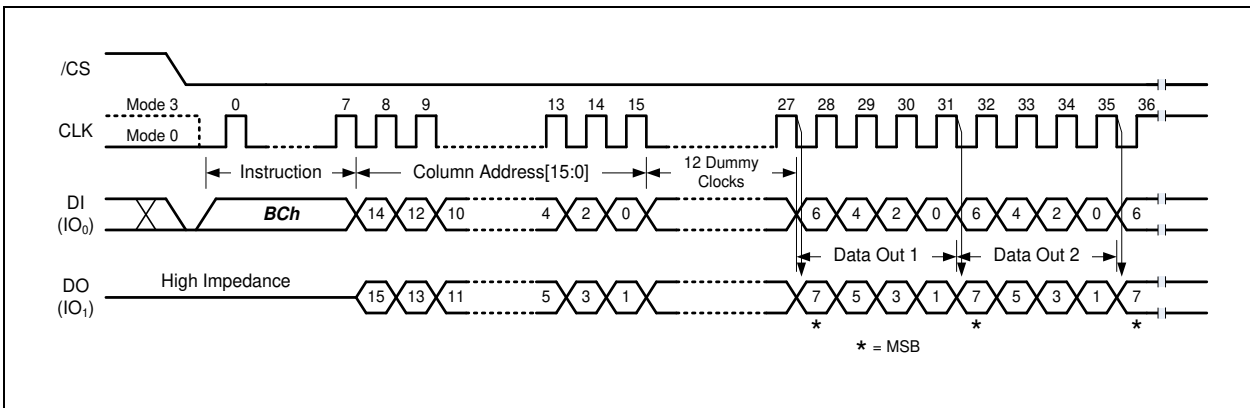


Figure 24a. Fast Read Dual I/O with 4-Byte Address Instruction (Buffer Read Mode, BUF=1)

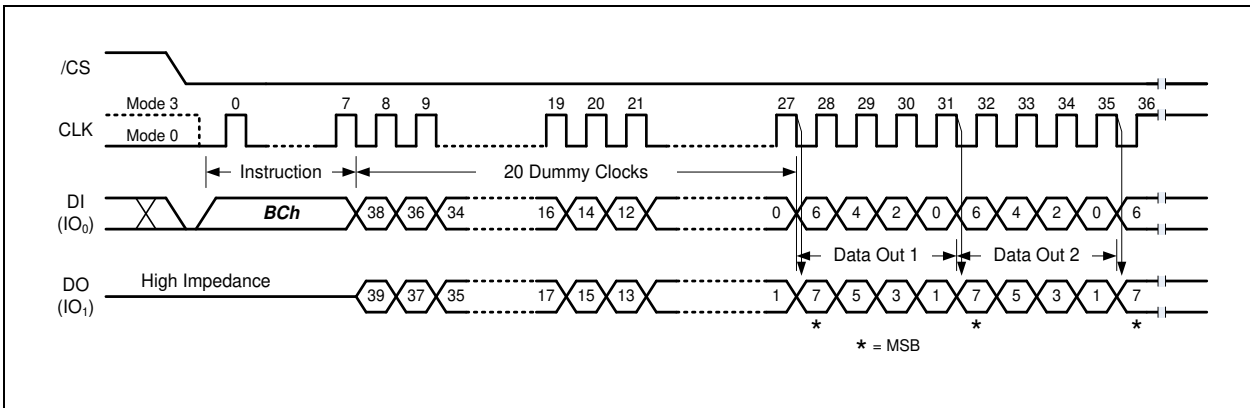


Figure 24b. Fast Read Dual I/O with 4-Byte Address Instruction (Sequential Read Mode, BUF=0)



**8.2.21 Fast Read Quad I/O (EBh)**

The Fast Read Quad I/O (EBh) instruction is similar to the Fast Read Dual I/O (BBh) instruction except that address and data bits are input and output through four pins IO<sub>0</sub>, IO<sub>1</sub>, IO<sub>2</sub> and IO<sub>3</sub> prior to the data output. The Quad I/O dramatically reduces instruction overhead allowing faster random access for code execution (XIP) directly from the Quad SPI.

The Fast Read Quad Output instruction sequence is shown in Figure 25a & 25b. When BUF=1, the device is in the Buffer Read Mode. The data output sequence will start from the Data Buffer location specified by the 16-bit Column Address and continue to the end of the Data Buffer. Once the last byte of data is output, the output pin will become Hi-Z state. When BUF=0, the device is in the Sequential Read Mode, the data output sequence will start from the first byte of the Data Buffer and increment to the next higher address. When the end of the Data Buffer is reached, the data of the first byte of next memory page will be following and continues through the entire memory array. This allows using a single Read instruction to read out the entire memory array and is also compatible to Winbond's NOR SpiFlash memory command sequence.

When WP-E bit in the Status Register is set to a 1, this instruction is disabled.

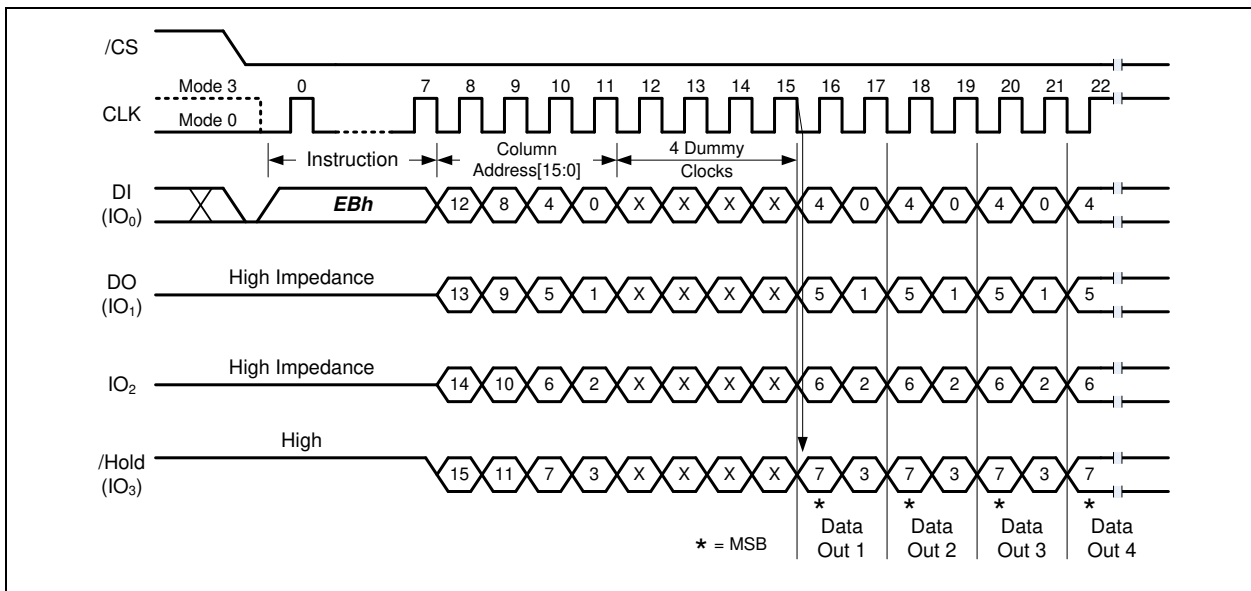


Figure 25a. Fast Read Quad I/O Instruction (Buffer Read Mode, BUF=1)

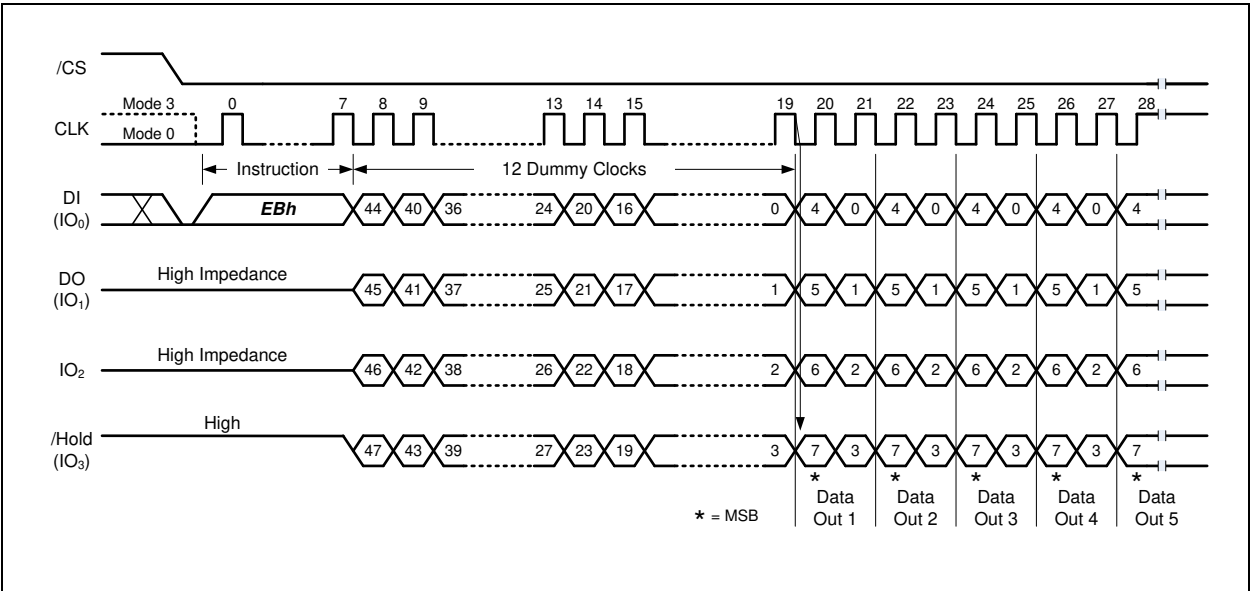


Figure 25b. Fast Read Quad I/O Instruction (Sequential Read Mode, BUF=0)



**8.2.22 Fast Read Quad I/O with 4-Byte Address (ECh)**

The Fast Read Quad I/O (ECh) instruction is similar to the Fast Read Dual I/O (BBh) instruction except that address and data bits are input and output through four pins IO<sub>0</sub>, IO<sub>1</sub>, IO<sub>2</sub> and IO<sub>3</sub> prior to the data output. The Quad I/O dramatically reduces instruction overhead allowing faster random access for code execution (XIP) directly from the Quad SPI.

The Fast Read Quad Output instruction sequence is shown in Figure 26a & 26b. When BUF=1, the device is in the Buffer Read Mode. The data output sequence will start from the Data Buffer location specified by the 16-bit Column Address and continue to the end of the Data Buffer. Once the last byte of data is output, the output pin will become Hi-Z state. When BUF=0, the device is in the Sequential Read Mode, the data output sequence will start from the first byte of the Data Buffer and increment to the next higher address. When the end of the Data Buffer is reached, the data of the first byte of next memory page will be following and continues through the entire memory array. This allows using a single Read instruction to read out the entire memory array and is also compatible to Winbond’s NOR SpiFlash memory command sequence.

When WP-E bit in the Status Register is set to a 1, this instruction is disabled.

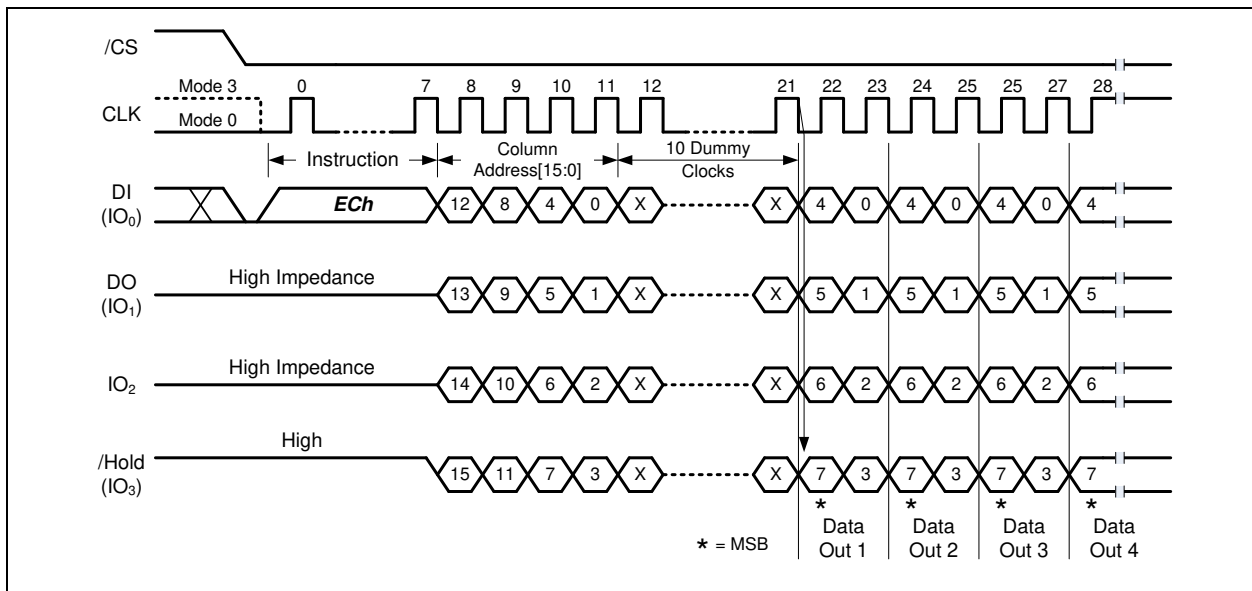


Figure 26a. Fast Read Quad I/O with 4-Byte Address Instruction (Buffer Read Mode, BUF=1)

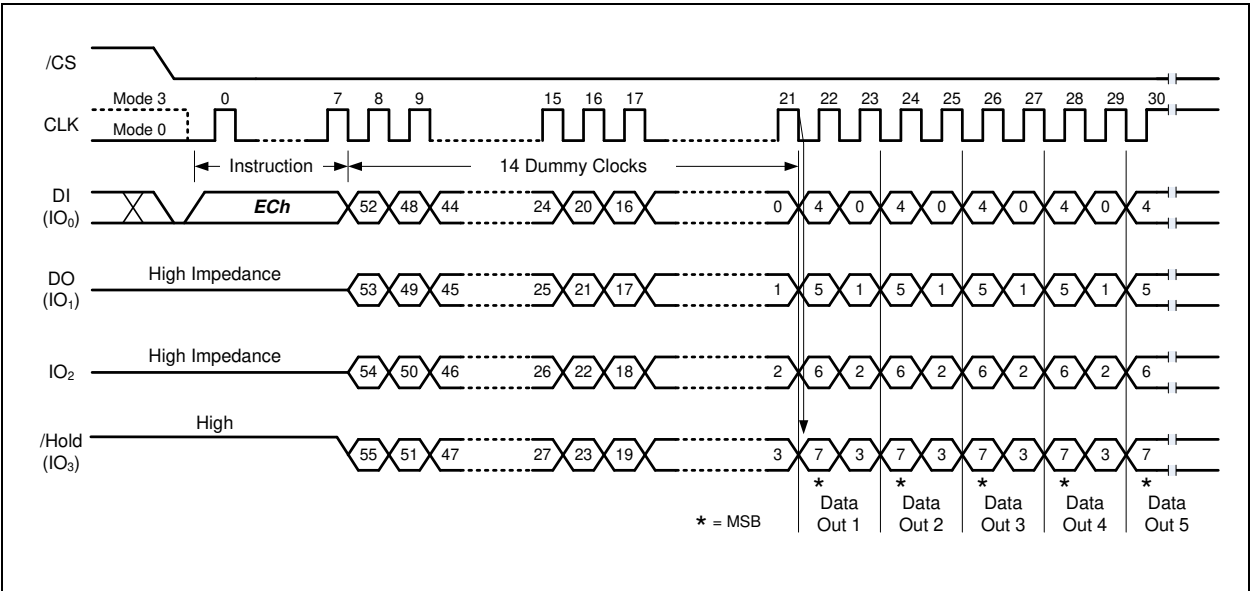


Figure 26b. Fast Read Quad I/O with 4-Byte Address Instruction (Sequential Read Mode, BUF=0)



### 8.2.23 Accessing Unique ID / Parameter / OTP Pages (OTP-E=1)

In addition to the main memory array, the W25N04KV is also equipped with one Unique ID Page, one Parameter Page, and ten OTP Pages.

| Page Address | Page Name       | Descriptions                  | Data Length  |
|--------------|-----------------|-------------------------------|--------------|
| 00h          | Unique ID Page  | Factory programmed, Read Only | 32-Byte x 16 |
| 01h          | Parameter Page  | Factory programmed, Read Only | 256-Byte x 3 |
| 02h          | OTP Page [0]    | Program Only, OTP lockable    | 2,176-Byte   |
| ...          | OTP Pages [1:8] | Program Only, OTP lockable    | 2,176-Byte   |
| 0Bh          | OTP Page [9]    | Program Only, OTP lockable    | 2,176-Byte   |

To access these additional data pages, the OTP-E bit in Status Register-2 must be set to “1” first. Then, Read operations can be performed on Unique ID and Parameter Pages, Read and Program operations can be performed on the OTP pages if it's not already locked. To return to the main memory array operation, OTP-E bit needs to be set to 0.

#### Read Operations

A “Page Data Read” command must be issued followed by a specific page address shown in the table above to load the page data into the main Data Buffer. After the device finishes the data loading (BUSY=0), all Read commands may be used to read the Data Buffer starting from any specified Column Address. Please note all Read commands must now follow the “Buffer Read Mode” command structure (CA[15:0], number of dummy clocks). ECC can also be enabled for the OTP page read operations to ensure the data integrity.

#### Program and OTP Lock Operations

OTP pages provide the additional space (2K-Byte x 10) to store important data or security information that can be locked to prevent further modification in the field. These OTP pages are in an erased state set in the factory, and can only be programmed (change data from “1” to “0”) until being locked by OTP-L bit in the Configuration/Status Register-2. OTP-E must be first set to “1” to enable the access to these OTP pages, then the program data must be loaded into the main Data Buffer using any “Program Data Load” commands. The “Program Execute” command followed by a specific OTP Page Address is used to initiate the data transfer from the Data Buffer to the OTP page. When ECC is enabled, ECC calculation will be performed during “Program Execute”, and the ECC information will be stored into the 64-Byte parity area.

Once the OTP pages are correctly programmed, OTP-L bit can be used to permanently lock these pages so that no further modification is possible. While still in the “OTP Access Mode” (OTP-E=1), user needs to set OTP-L bit in the Configuration/Status Register-2 to “1”, and issue a “Program Execute” command (Page address is “don't care”). After the device finishes the OTP lock setting (BUSY=0), the user can set OTP-E to “0” to return to the main memory array operation.

#### SR1-L OTP Lock Operation

The Protection/Status Register-1 contains protection bits that can be set to protect either a portion or the entire memory array from being Programmed/Erased or set the device to either Software Write Protection (WP-E=0) or Hardware Write Protection (WP-E=1). Once the BP[3:0], TB, WP-E bits are set correctly, SRP1 and SRP0 should also be set to “1”s as well to allow SR1-L bit being set to “1” to permanently lock the protection settings in the Status Register-1 (SR1). Similar to the OTP-L setting procedure above, in order to set SR1-L lock bit, the device must enter the “OTP Access Mode” (OTP-E=1) first, and SR1-L bit should be set to “1” prior to the “Program Execute” command (Page Address is “don't care”). Once SR1-L is set to “1” (BUSY=0), the user can set OTP-E to “0” to return to the main memory array operation.



### 8.2.24 Parameter Page Data Definitions

The Parameter Page contains 3 identical copies of the 256-Byte Parameter Data. The table below lists all the key data byte locations. All other unspecified byte locations have 00h data as default.

| Byte Number | Descriptions                                   | Values   |
|-------------|--|--|
| 0~3         | Parameter page signature                       | 4Fh, 4Eh, 46h, 49h   |
| 4~5         | Revision number                                | 00h, 00h   |
| 6~7         | Feature supported                              | 00h, 00h   |
| 8~9         | Optional command supported                     | 00h, 00h   |
| 10~31       | Reserved                                       | All 00h  |
| 32~43       | Device manufacturer                            | 57h, 49h, 4Eh, 42h, 4Fh, 4Eh, 44h, 20h, 20h, 20h, 20h  |
| 44~63       | Device model                                   | 57h, 32h, 35h, 4Eh, 30h, 34h, 4Bh, 56h, 20h, 20h, 20h, 20h, 20h, 20h, 20h, 20h, 20h, 20h, 20h, 20h |
| 64          | JEDEC manufacturer ID                          | EFh  |
| 65~66       | Date code                                      | 00h, 00h   |
| 67~79       | Reserved                                       | All 00h  |
| 80~83       | Number of data bytes per page                  | 00h, 08h, 00h, 00h   |
| 84~85       | Number of spare bytes per page                 | 80h, 00h   |
| 86~91       | Reserved                                       | All 00h  |
| 92~95       | Number of pages per block                      | 40h, 00h, 00h, 00h   |
| 96~99       | Number of blocks per logical unit              | 00h, 08h, 00h, 00h   |
| 100         | Number of logical units                        | 02h  |
| 101         | Number of address bytes                        | 00h  |
| 102         | Number of bits per cell                        | 01h  |
| 103~104     | Bad blocks maximum per unit                    | 28h, 00h   |
| 105~106     | Block endurance                                | 01h, 05h   |
| 107         | Guaranteed valid blocks at beginning of target | 01h  |
| 108~109     | Block endurance for guaranteed valid blocks    | 00h, 00h   |
| 110         | Number of programs per page                    | 04h  |
| 111         | Reserved                                       | 00h  |
| 112         | Number of ECC bits                             | 00h  |
| 113         | Number of plane address bits                   | 00h  |
| 114         | Multi-plane operation attributes               | 00h  |
| 115~127     | Reserved                                       | All 00h  |
| 128         | I/O pin capacitance, maximum                   | 08h  |
| 129~132     | Reserved                                       | 00h, 00h, 00h, 00h   |
| 133~134     | Maximum page program time (us)                 | BCh, 02h   |
| 135~136     | Maximum block erase time (us)                  | 10h, 27h   |
| 137~138     | Maximum page read time (us)                    | 3Ch, 00h   |
| 139~163     | Reserved                                       | All 00h  |
| 164~165     | Vendor specific revision number                | 00h, 00h   |
| 166~253     | Vendor specific                                | All 00h  |
| 254~255     | Integrity CRC                                  | 61h, 0Ch   |
| 256~511     | Value of bytes 0~255                           |  |
| 512~767     | Value of bytes 0~255                           |  |
| 768~2175    | Reserved                                       |  |





### 8.2.25 Deep Power-Down (B9h)

Although the standby current during normal operation is relatively low, standby current can be further reduced with the Deep Power-Down instruction. The lower power consumption makes the Power-Down instruction especially useful for battery powered applications (See ICC1 and ICC2 in AC Characteristics). The instruction is initiated by driving the /CS pin low and shifting the instruction code “B9h” as shown in Figure 27.

The /CS pin must be driven high after the eighth bit has been latched. If this is not done the Power-down instruction will not be executed. After /CS is driven high, the power-down state will be entered within the time duration of  $t_{DP}$  (See AC Characteristics). While in the power-down state only the Release Power-down / Device ID (Abh) and reset (66h+99h, FFh) instruction, which restores the device to normal operation, will be recognized. All other instructions are ignored. This includes the Read Status Register instruction, which is always available during normal operation. Ignoring all but one instruction makes the Power Down state a useful condition for securing maximum write protection. The device always powers-up in the normal operation with the standby current of ICC1.

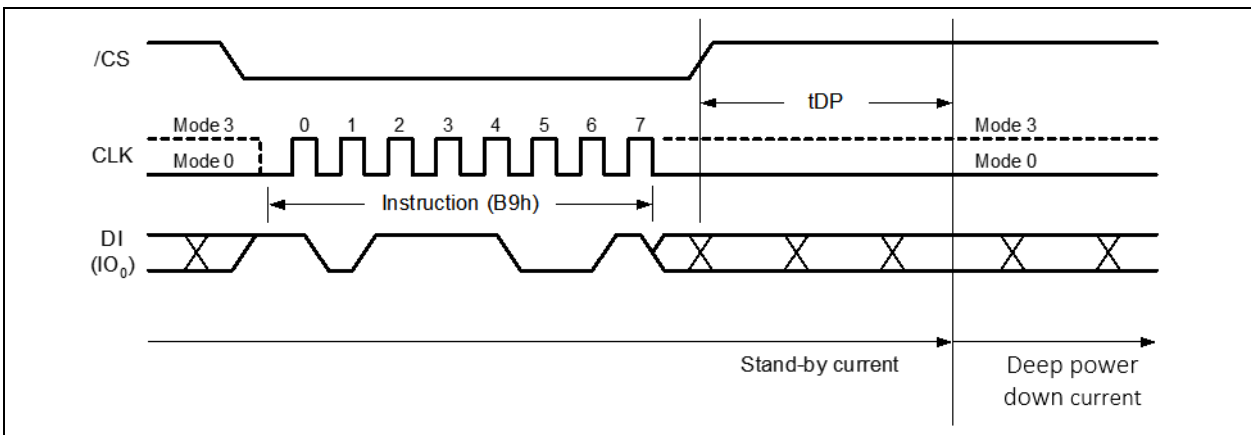


Figure 27. Deep Power-Down Instruction



### 8.2.26 Release Power-Down (ABh)

The Release from Power-Down instruction is used to release the device from the power-down state.

To release the device from the power-down state, the instruction is issued by driving the /CS pin low, shifting the instruction code "ABh" and driving /CS high as shown in Figure 28. Release from power-down will take the time duration of  $t_{RES}$  (See AC Characteristics) before the device will resume normal operation and other instructions are accepted. The /CS pin must remain high during the  $t_{RES}$  time duration.

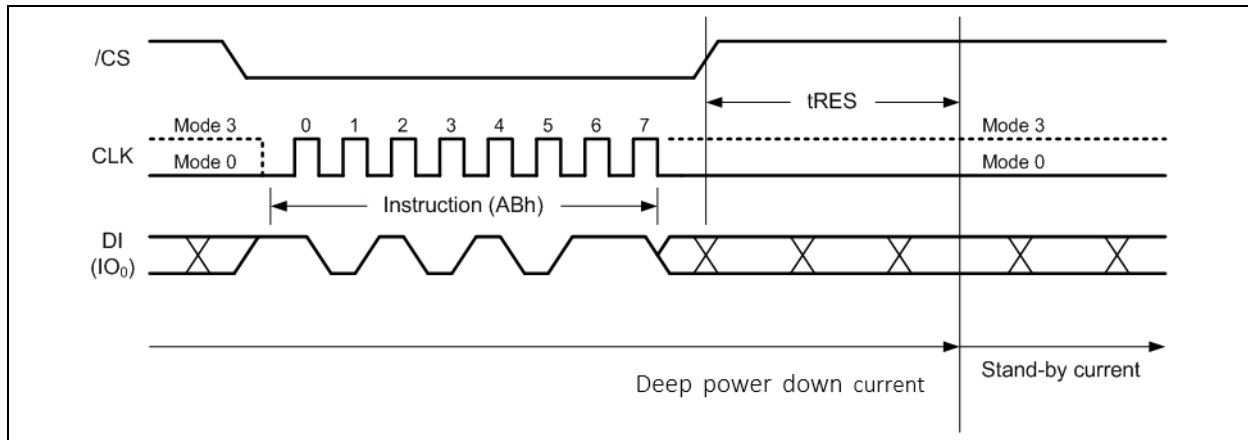


Figure 28. Release Power-down Instruction



## 9. ELECTRICAL CHARACTERISTICS

### 9.1 Absolute Maximum Ratings<sup>(1)</sup>

| PARAMETERS                                    | SYMBOL            | CONDITIONS                            | RANGE                   | UNIT |
|---|-------------------|---------------------------------------|-------------------------|------|
| Supply Voltage                                | VCC               |                                       | -0.6 to 4.6             | V    |
| Voltage Applied to Any Pin                    | VIO               | Relative to Ground                    | -0.6 to 4.6             | V    |
| Transient Voltage on any Pin                  | V <sub>IOT</sub>  | <20nS Transient<br>Relative to Ground | -2.0 to VCC+2.0         | V    |
| Short Circuit Output Current, I <sub>os</sub> |                   |                                       | 5                       | mA   |
| Storage Temperature                           | T <sub>STG</sub>  |                                       | -65 to +150             | °C   |
| Lead Temperature                              | T <sub>LEAD</sub> |                                       | See Note <sup>(2)</sup> | °C   |
| Electrostatic Discharge Voltage               | V <sub>ESD</sub>  | Human Body Model <sup>(3)</sup>       | -2000 to +2000          | V    |

#### Notes:

1. This device has been designed and tested for the specified operation ranges. Proper operation outside of these levels is not guaranteed. Exposure to absolute maximum ratings may affect device reliability. Exposure beyond absolute maximum ratings may cause permanent damage.
2. Compliant with JEDEC Standard J-STD-20C for small body Sn-Pb or Pb-free (Green) assembly and the European directive on restrictions on hazardous substances (RoHS) 2002/95/EU.
3. JEDEC Standard JESD22-A114A (C1=100pF, R1=1500 ohms, R2=500 ohms).

### 9.2 Operating Ranges

| PARAMETER                      | SYMBOL         | CONDITIONS                                | SPEC |             | UNIT |
|--------------------------------|----------------|---|------|-------------|------|
|                                |                |   | MIN  | MAX         |      |
| Supply Voltage                 | VCC            |   | 2.7  | 3.6         | V    |
| Ambient Temperature, Operating | T <sub>A</sub> | Industrial Grade<br>Industrial Plus Grade | -40  | +85<br>+105 | °C   |



9.3 Power-up Power-down Timing Requirements

| PARAMETER   | SYMBOL              | SPEC |     | UNIT |
|---|---------------------|------|-----|------|
|   |                     | MIN  | MAX |      |
| VCC (min) to /CS Low                                    | tVSL <sup>(1)</sup> | 200  |     | μs   |
| Time Delay Before Write Instruction                     | tPUW <sup>(1)</sup> | 1    |     | ms   |
| Minimum duration for ensuring initialization will occur | tPWD <sup>(1)</sup> | 1    |     | ms   |
| VCC voltage for ensuring initialization will occur      | VPWD <sup>(1)</sup> |      | 0.7 | V    |

**Note:** These parameters are characterized only.

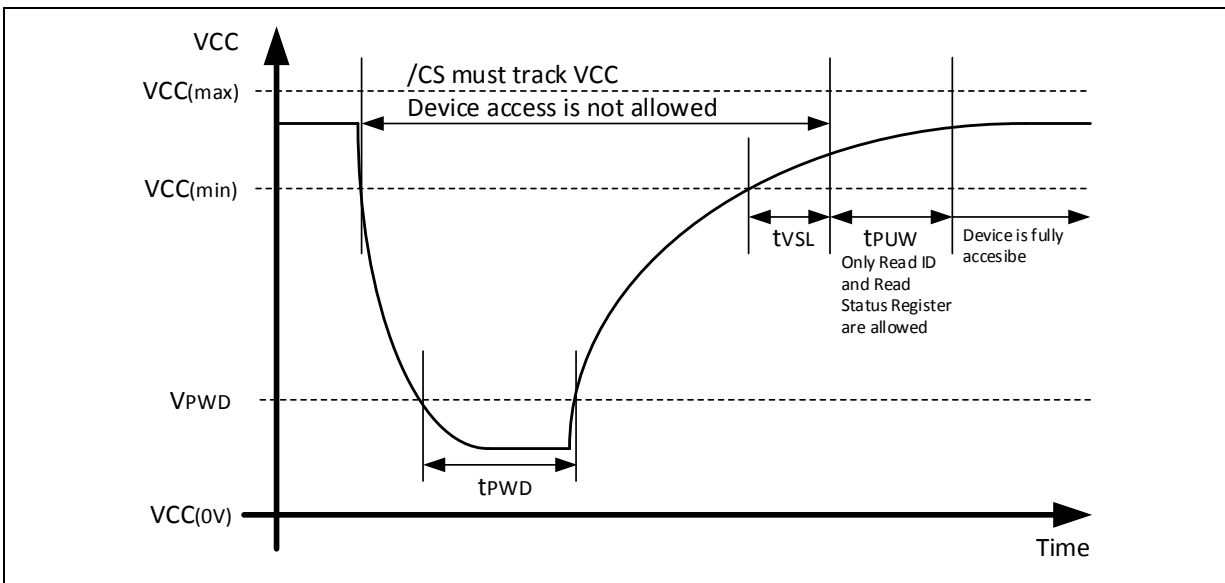


Figure 29. Power-up Timing and Voltage Levels

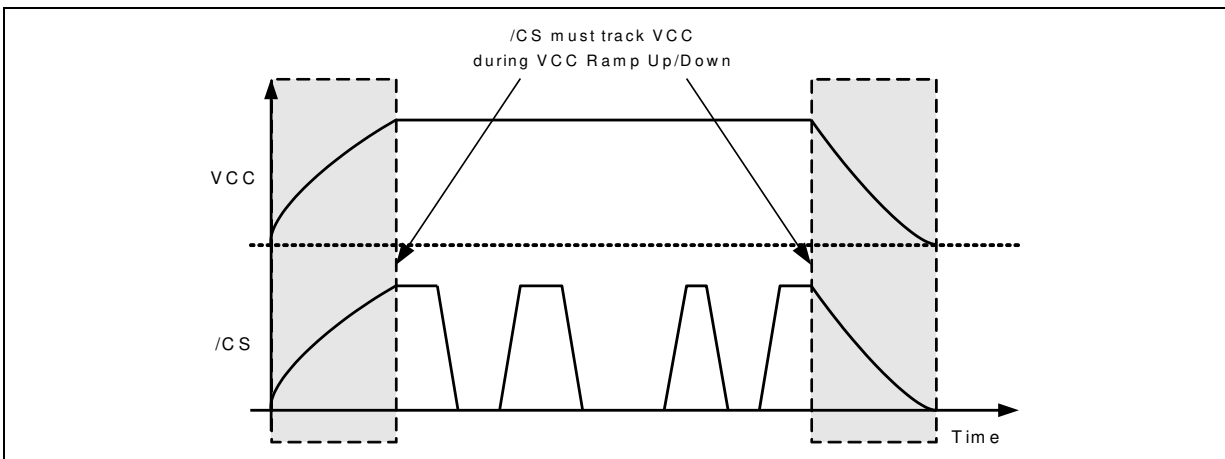


Figure 30. Power-up, Power-Down Requirement



#### 9.4 DC Electrical Characteristics

| PARAMETER               | SYMBOL                          | CONDITIONS                             | SPEC      |     |           | UNIT |
|-------------------------|---------------------------------|--|-----------|-----|-----------|------|
|                         |                                 |  | MIN       | TYP | MAX       |      |
| Input Capacitance       | C <sub>IN</sub> <sup>(1)</sup>  | V <sub>IN</sub> = 0V <sup>(1)</sup>    |           |     | 12        | pF   |
| Output Capacitance      | C <sub>OUT</sub> <sup>(1)</sup> | V <sub>OUT</sub> = 0V <sup>(1)</sup>   |           |     | 16        | pF   |
| Input Leakage           | I <sub>LI</sub>                 |  |           |     | ±4        | μA   |
| I/O Leakage             | I <sub>LO</sub>                 |  |           |     | ±4        | μA   |
| Standby Current         | I <sub>CC1</sub>                | /CS = VCC,<br>VIN = GND or VCC (85°C)  |           | 20  | 100       | μA   |
|                         |                                 | /CS = VCC,<br>VIN = GND or VCC (105°C) |           |     | 200       | μA   |
| Deep Power-Down Current | I <sub>CC2</sub>                | /CS = VCC,<br>VIN = GND or VCC         |           |     | 2         | μA   |
| Read Current            | I <sub>CC3</sub>                | C = 0.1 VCC / 0.9 VCC<br>DO = Open     |           | 25  | 35        | mA   |
| Current Page Program    | I <sub>CC4</sub>                | /CS = VCC                              |           | 25  | 35        | mA   |
| Current Block Erase     | I <sub>CC5</sub>                | /CS = VCC                              |           | 25  | 35        | mA   |
| Input Low Voltage       | V <sub>IL</sub>                 |  | - 0.5     |     | VCC x 0.3 | V    |
| Input High Voltage      | V <sub>IH</sub>                 |  | VCC x 0.7 |     | VCC + 0.4 | V    |
| Output Low Voltage      | V <sub>OL</sub>                 | I <sub>OL</sub> = 2.1mA                |           |     | 0.4       | V    |
| Output High Voltage     | V <sub>OH</sub>                 | I <sub>OH</sub> = -400μA               | 2.4       |     |           | V    |

**Notes:**

1. The typical (TYP) value is tested on sample basis and specified through design and characterization data. TA = 25° C, VCC = 3.0V.



### 9.5 AC Measurement Conditions

| PARAMETER                        | SYMBOL          | SPEC               |     | UNIT |
|----------------------------------|-----------------|--------------------|-----|------|
|                                  |                 | MIN                | MAX |      |
| Load Capacitance                 | CL              |                    | 30  | pF   |
| Input Rise and Fall Times        | TR, TF          |                    | 5   | ns   |
| Input Pulse Voltages             | V <sub>IN</sub> | 0.1 VCC to 0.9 VCC |     | V    |
| Input Timing Reference Voltages  | I <sub>N</sub>  | 0.3 VCC to 0.7 VCC |     | V    |
| Output Timing Reference Voltages | O <sub>UT</sub> | 0.5 VCC            |     | V    |

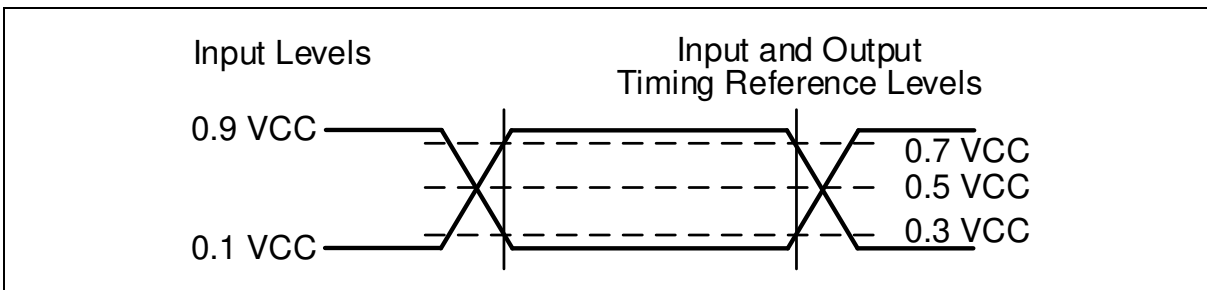


Figure 31. AC Measurement I/O Waveform

9.6 AC Electrical Characteristics<sup>(3)</sup>

| DESCRIPTION   | SYMBOL  | ALT              | SPEC              |     |     | UNIT |
|---|---|------------------|-------------------|-----|-----|------|
|   |   |                  | MIN               | TYP | MAX |      |
| Clock frequency for all instructions  | F <sub>R</sub>  | f <sub>c1</sub>  | D.C.              |     | 104 | MHz  |
| Clock High, Low Time for all instructions   | t <sub>CLH</sub> ,<br>t <sub>CLL</sub> <sup>(1)</sup> |                  | 45%P <sub>c</sub> |     |     | ns   |
| Clock Rise Time peak to peak  | t <sub>CLCH</sub> <sup>(2)</sup>                      |                  | 0.1               |     |     | V/ns |
| Clock Fall Time peak to peak  | t <sub>CHCL</sub> <sup>(2)</sup>                      |                  | 0.1               |     |     | V/ns |
| /CS Active Setup Time relative to CLK   | t <sub>SLCH</sub>                                     | t <sub>CSS</sub> | 5                 |     |     | ns   |
| /CS Not Active Hold Time relative to CLK  | t <sub>CHSL</sub>                                     |                  | 5                 |     |     | ns   |
| Data In Setup Time  | t <sub>DVCH</sub>                                     | t <sub>DSU</sub> | 2                 |     |     | ns   |
| Data In Hold Time   | t <sub>CHDX</sub>                                     | t <sub>DH</sub>  | 3                 |     |     | ns   |
| /CS Active Hold Time relative to CLK  | t <sub>CHSH</sub>                                     |                  | 3                 |     |     | ns   |
| /CS Not Active Setup Time relative to CLK   | t <sub>SHCH</sub>                                     |                  | 3                 |     |     | ns   |
| /CS Deselect Time (for Array Read → Array Read)   | t <sub>SHSL1</sub>                                    | t <sub>CSH</sub> | 10                |     |     | ns   |
| /CS Deselect Time (for Erase, Program or Read Status Registers → Read Status Registers) | t <sub>SHSL2</sub>                                    | t <sub>CSH</sub> | 50                |     |     | ns   |
| Output Disable Time   | t <sub>SHQZ</sub> <sup>(2)</sup>                      | t <sub>DIS</sub> |                   |     | 7   | ns   |
| Clock Low to Output Valid   | t <sub>CLQV</sub>                                     | t <sub>V</sub>   |                   |     | 7   | ns   |
| Output Hold Time  | t <sub>CLQX</sub>                                     | t <sub>HO</sub>  | 2                 |     |     | ns   |
| /HOLD Active Setup Time relative to CLK   | t <sub>HLCH</sub>                                     |                  | 5                 |     |     | ns   |
| /HOLD Active Hold Time relative to CLK  | t <sub>CHHH</sub>                                     |                  | 5                 |     |     | ns   |

Continued – next page



## AC Electrical Characteristics (cont'd)

| DESCRIPTION  | SYMBOL                | ALT             | SPEC |     |          | UNIT  |
|--|-----------------------|-----------------|------|-----|----------|-------|
|  |                       |                 | MIN  | TYP | MAX      |       |
| /HOLD Not Active Setup Time relative to CLK  | t <sub>HHCH</sub>     |                 | 5    |     |          | ns    |
| /HOLD Not Active Hold Time relative to CLK   | t <sub>CHHL</sub>     |                 | 5    |     |          | ns    |
| /HOLD to Output Low-Z  | t <sub>HHQX</sub> (2) | t <sub>LZ</sub> |      |     | 7        | ns    |
| /HOLD to Output High-Z   | t <sub>HLQZ</sub> (2) | t <sub>HZ</sub> |      |     | 12       | ns    |
| Write Protect Setup Time Before /CS Low  | t <sub>WHSL</sub>     |                 | 20   |     |          | ns    |
| Write Protect Hold Time After /CS High   | t <sub>SHWL</sub>     |                 | 100  |     |          | ns    |
| Status Register Write Time   | t <sub>W</sub>        |                 |      |     | 50       | ns    |
| /CS High to Deep Power-Down Mode   | t <sub>DP</sub> (2)   |                 |      |     | 3        | μs    |
| /CS High to Standby Mode (Release DPD)   | t <sub>RES</sub> (2)  |                 |      |     | 1.5      | ms    |
| /CS High to next Instruction after Reset during Page Data Read / Program Execute / Block Erase | t <sub>RST</sub> (2)  |                 |      |     | 5/10/500 | μs    |
| /CS High to next instruction after Reset with page 0 data load option                          | t <sub>RST2</sub>     |                 |      |     | 100      | us    |
| Read Page Data Time (ECC disabled)   | t <sub>RD1</sub>      |                 |      |     | 25       | μs    |
| Read Page Data Time (ECC enabled)  | t <sub>RD2</sub>      |                 |      |     | 60       | μs    |
| Sequential Read Stop to Device Ready Time  | t <sub>RD3</sub>      |                 |      |     | 7        | us    |
| Page Program and OTP Lock Time   | t <sub>PP</sub>       |                 |      | 250 | 700      | us    |
| Block Erase Time   | t <sub>BE</sub>       |                 |      | 2   | 10       | ms    |
| Number of partial page programs  | NoP                   |                 |      |     | 4        | times |

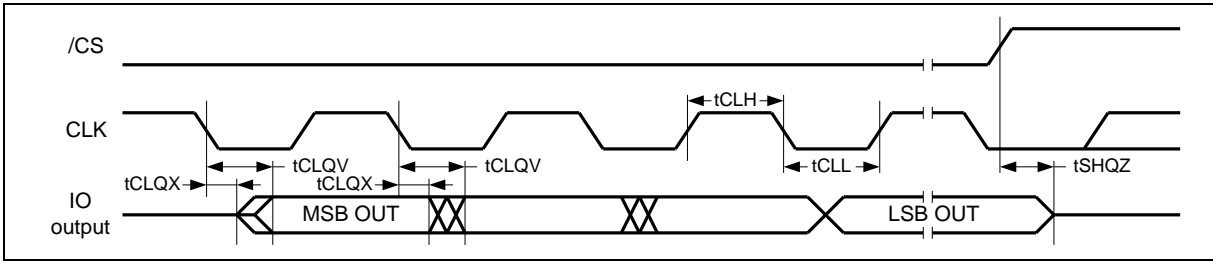
## Notes:

1. Clock high + Clock low must be less than or equal to 45%Pc.  $PC = 1/fc1(max)$
2. Value guaranteed by design and/or characterization, not 100% tested in production.
3. The typical (TYP) spec is tested on sample basis and specified through design and characterization data.  $TA = 25^{\circ}C$ ,  $VCC = 3.0V$ .
4. The product which re-loads page0 data after Reset takes  $t_{RST} + t_{RD}$  busy time.
5. AC electrical characteristics is based on default setting of ODS.

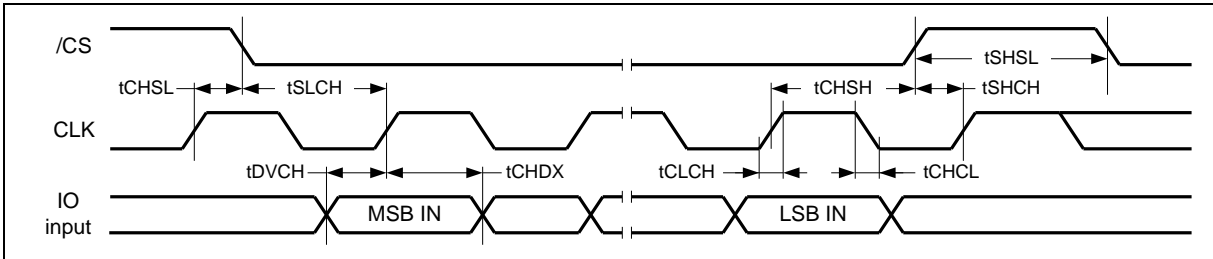




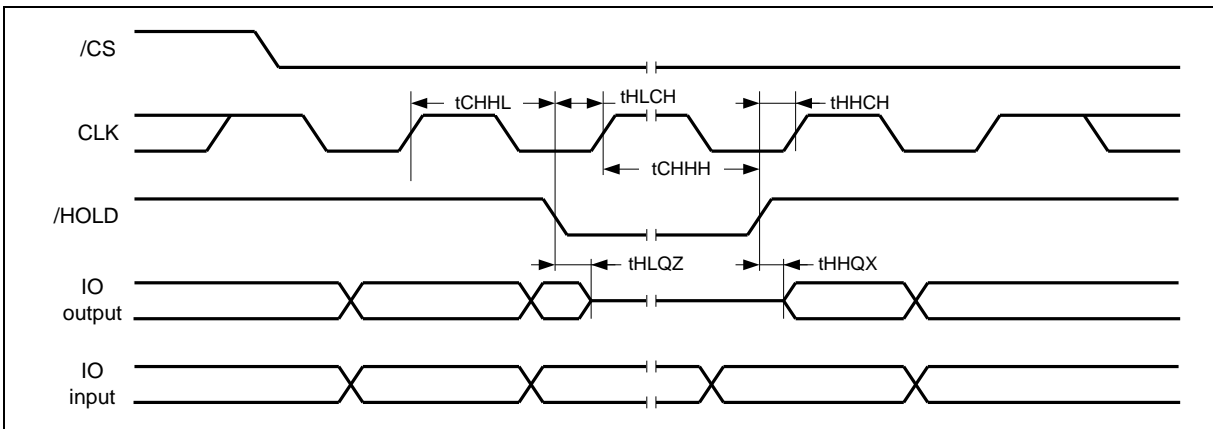
9.7 Serial Output Timing



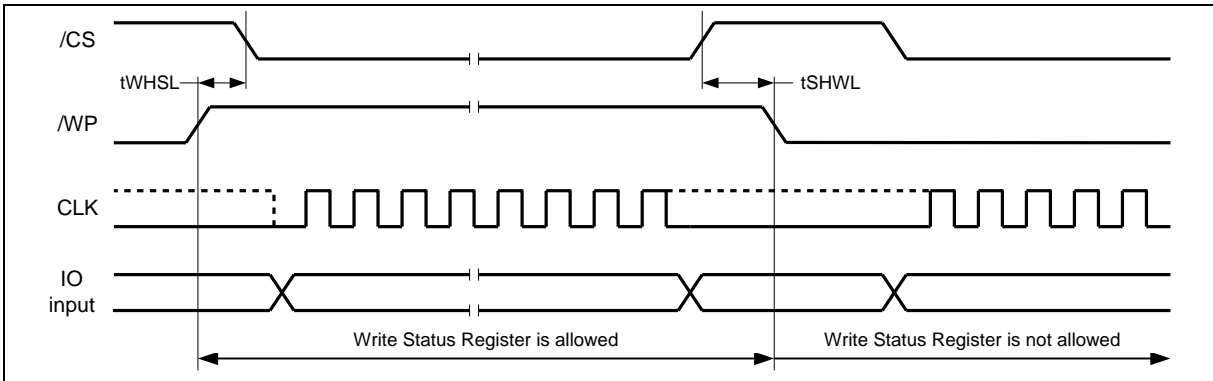
9.8 Serial Input Timing



9.9 /HOLD Timing



9.10 /WP Timing





## 10. INVALID BLOCK MANAGEMENT

### 10.1 Invalid Blocks

The W25N04KV may have initial invalid blocks when it ships from factory. Also, additional invalid blocks may develop during the use of the device. Nvb represents the minimum number of valid blocks in the total number of available blocks (See Table 12.1). An invalid block is defined as blocks that contain one or more bad bits. Block 0, block address 00h is guaranteed to be a valid block at the time of shipment.

| Parameter          | Symbol | Min  | Max  | Unit   |
|--------------------|--------|------|------|--------|
| Valid block number | Nvb    | 4016 | 4096 | blocks |

Table 10-1 Valid Block Number

### 10.2 Initial Invalid Blocks

Initial invalid blocks are defined as blocks that contain one or more invalid bits when shipped from factory.

Although the device contains initial invalid blocks, a valid block of the device is of the same quality and reliability as all valid blocks in the device with reference to AC and DC specifications. The W25N04KV has internal circuits to isolate each block from other blocks and therefore, the invalid blocks will not affect the performance of the entire device.

Before the device is shipped from the factory, it will be erased and invalid blocks are permanently marked. The mark information cannot be erased. All initial invalid blocks are marked with non-FFh at the 1<sup>st</sup> byte of main array and the 1<sup>st</sup> byte of spare area on the 1<sup>st</sup> page. It should be checked for invalid blocks by reading the marked locations, and create a table of initial invalid blocks as following flow chart.

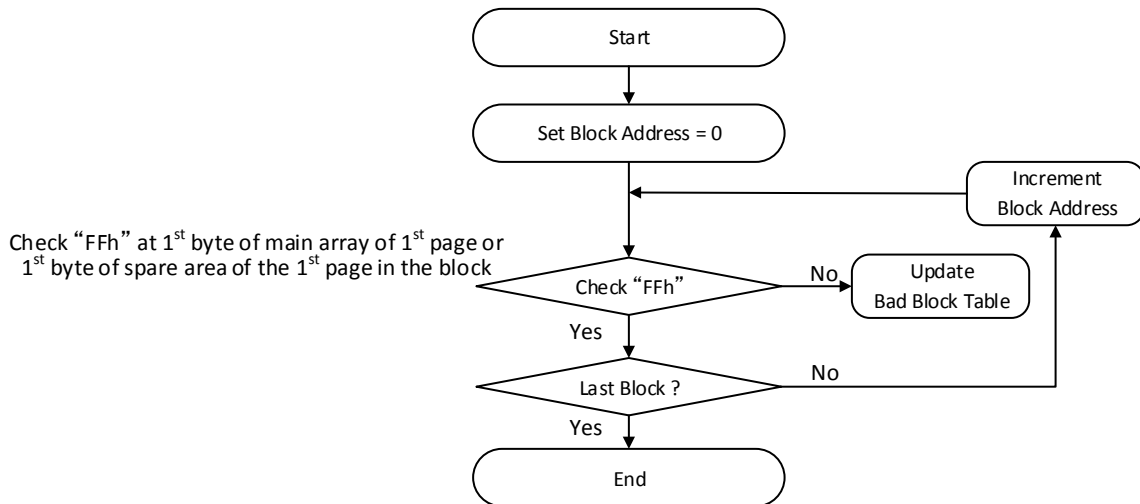


Figure 32. Flow Chart of Create Initial Invalid Block Table



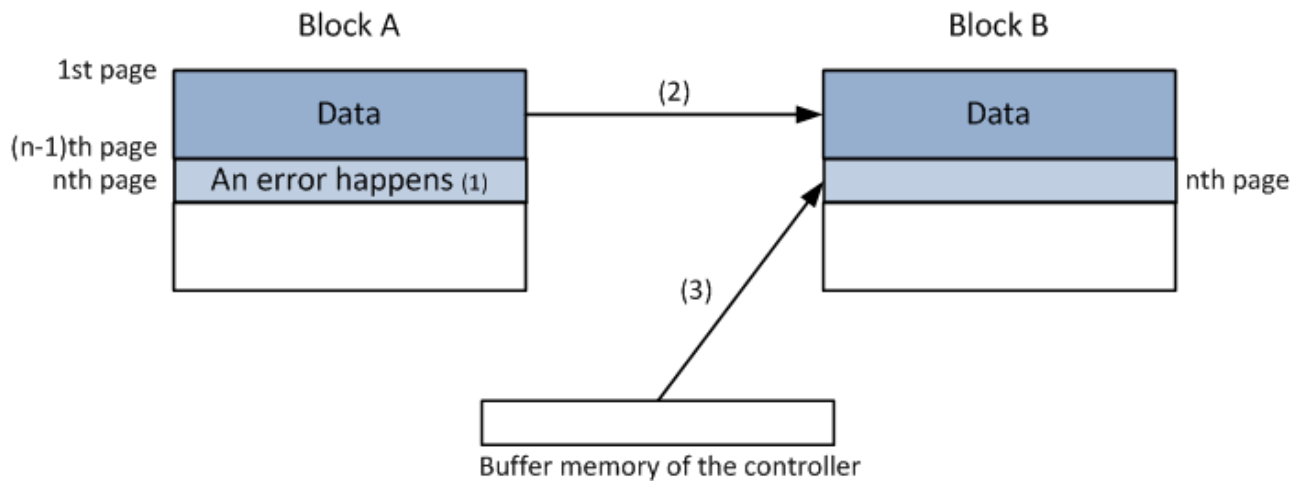
### 10.3 Error in Operation

Additional invalid blocks may develop in the device during its life cycle. Following the procedures herein is required to guarantee reliable data in the device.

After each read, program and erase operation, check the Cumulative ECC Status, P-FAIL and E-FAIL bit to determine if the operation failed. In case of failure, a block replacement should be done with a bad-block management algorithm.

| Operation | Detection and recommended procedure   |
|-----------|---|
| Erase     | Status register read after erase, check E-FAIL bit<br>→ Block Replacement   |
| Program   | Status register read after program, check P-FAIL bit<br>→ Block Replacement |
| Read      | Status register read, check Cumulative ECC Status<br>→ ECC correction       |

Table 10-2 Block Failure



**Note:**

1. An error happens in the nth page of block A during program or erase operation.
2. Copy the data in block A to the same location of block B which is valid block.
3. Copy the nth page data of block A in the buffer memory to the nth page of block B
4. Creating or updating bad block table for preventing further program or erase to block A

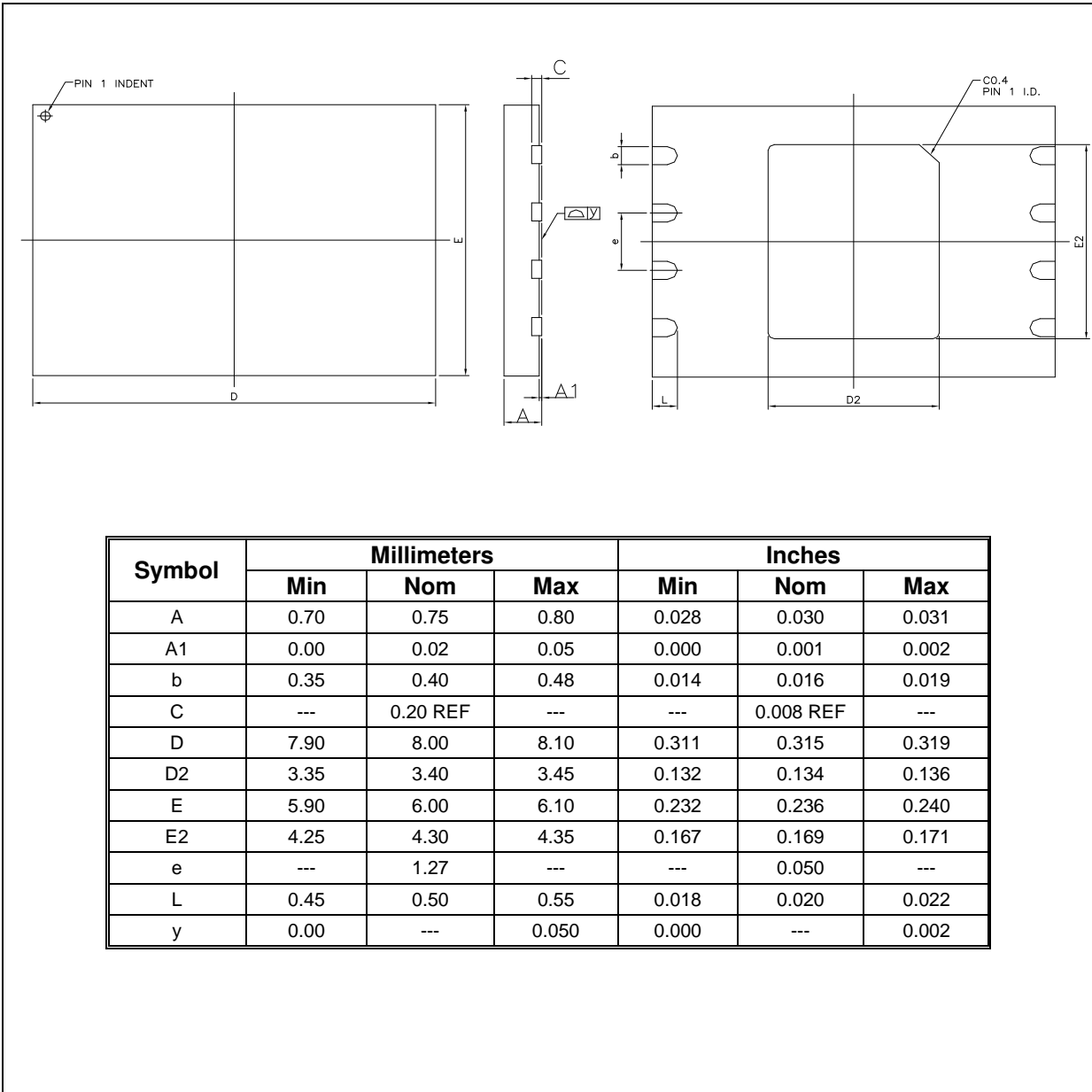
### 10.4 Addressing in Program Operation

The pages within the block have to be programmed sequentially from LSB (least significant bit) page to the MSB (most significant bit) within the block. The LSB is defined as the start page to program, does not need to be page 0 in the block. Random page programming is prohibited



11. PACKAGE SPECIFICATIONS

11.1 8-Pad WSON 8x6-mm (Package Code ZE)

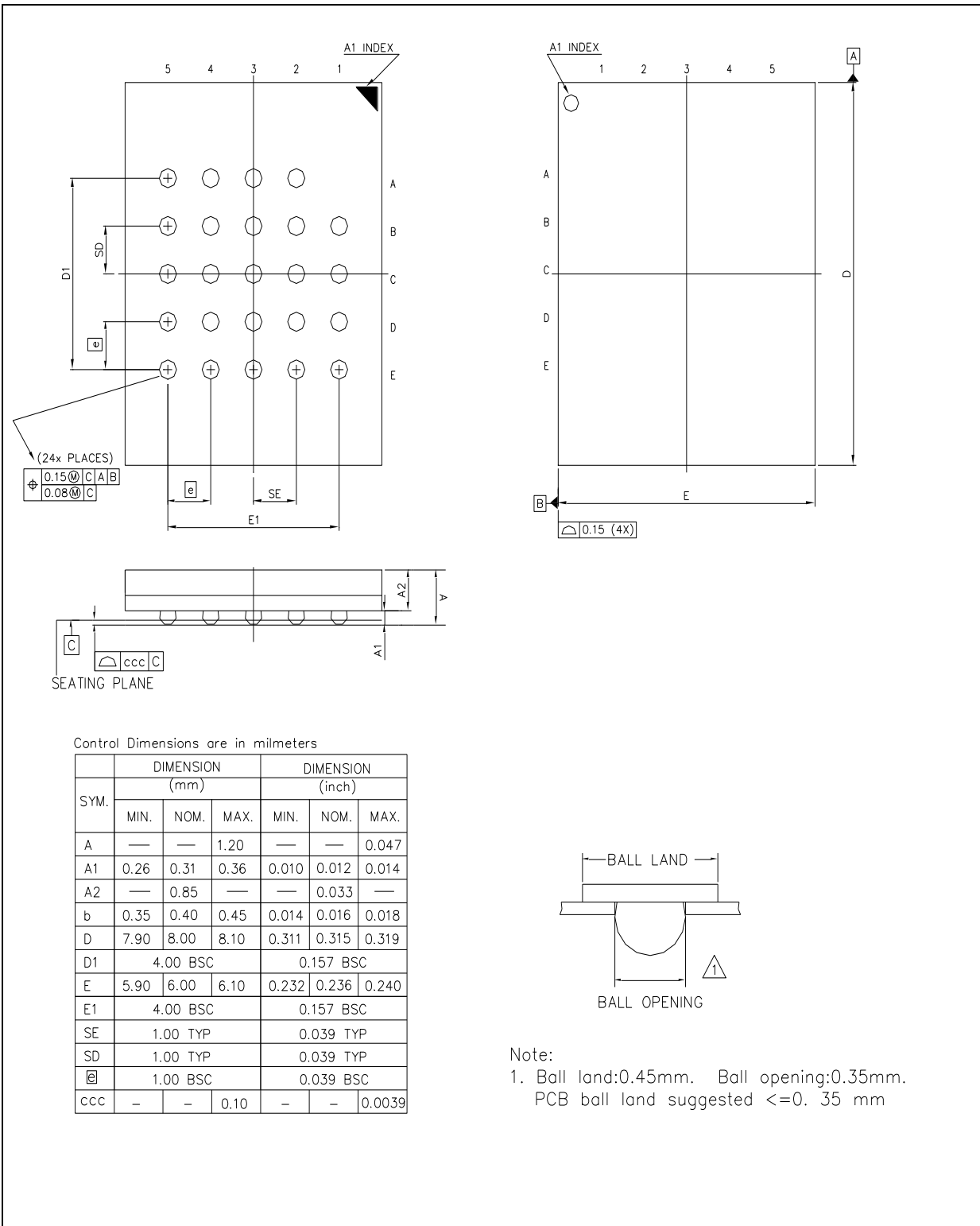


Notes:

1. The metal pad area on the bottom center of the package is not connected to any internal electrical signals. It can be left floating or connected to the device ground (GND pin). Avoid placement of exposed PCB vias under the pad.

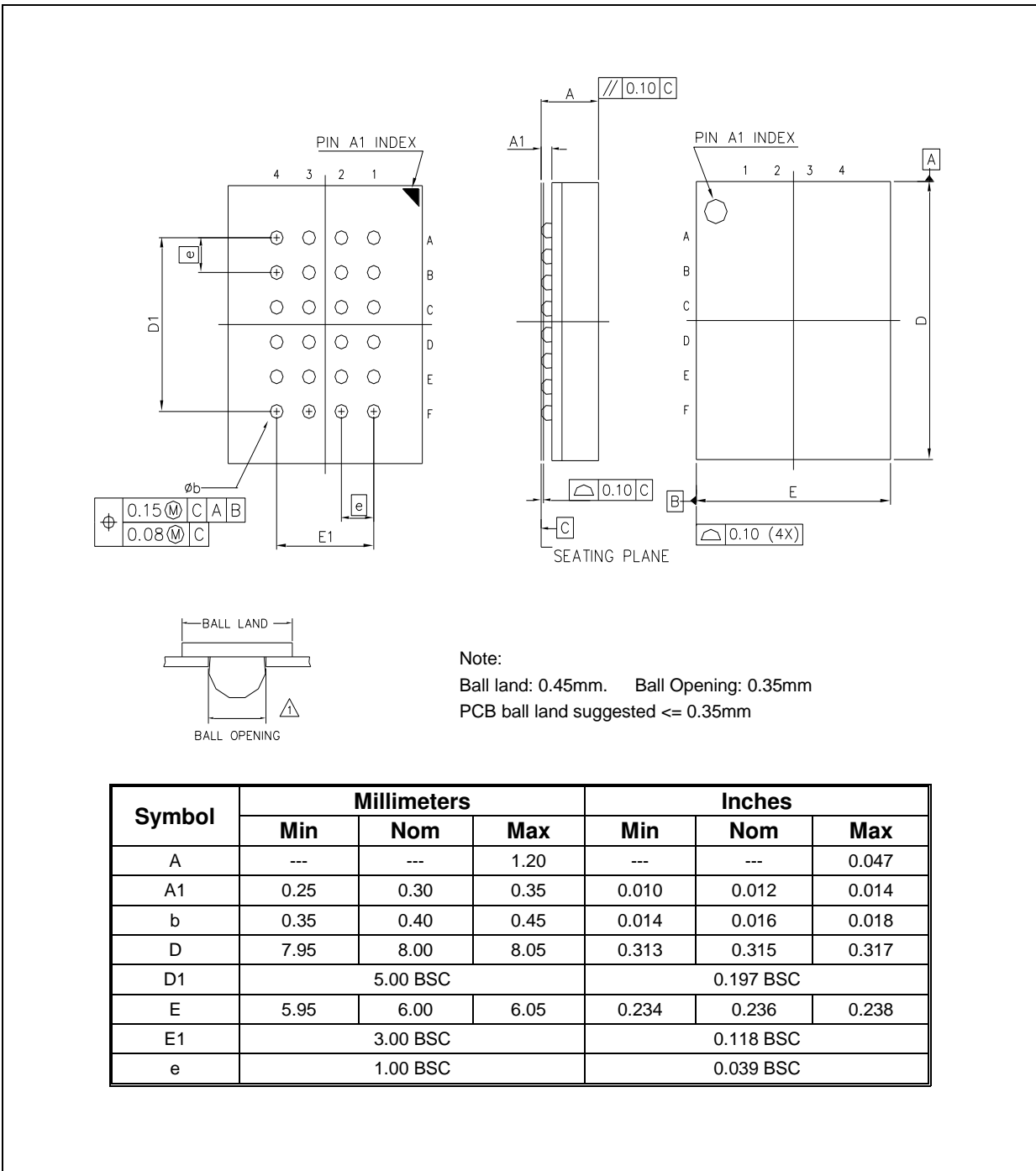


11.2 24-Ball TFBGA 8x6-mm (Package Code TB, 5x5-1 Ball Array)





11.3 24-Ball TFBGA 8x6-mm (Package Code TC, 6x4 Ball Array)

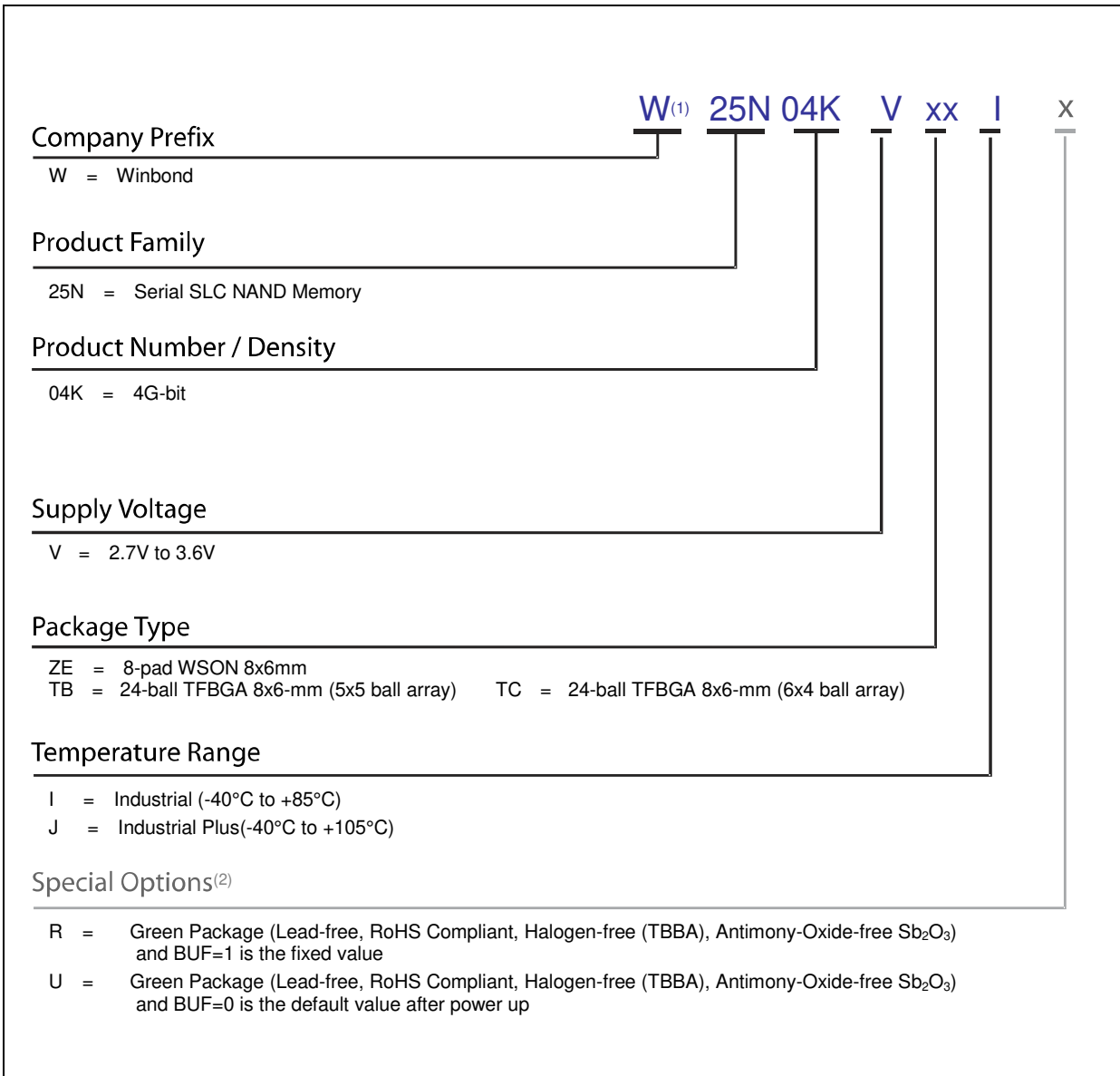


**Note:**

The metal pad area on the bottom center of the package is not connected to any internal electrical signals. It can be left floating or connected to the device ground (GND pin). Avoid placement of exposed PCB vias under the pad.



12. ORDERING INFORMATION



Notes:

1. The “W” prefix is not included on the part marking.
2. Standard bulk shipments are in tray for WSON and TFBGA packages. For other packing options, please specify when placing orders.



**12.1 Valid Part Numbers and Top Side Marking**

The following table provides the valid part numbers for the W25N04KV QspiNAND Memory. Please contact Winbond for specific availability by density and package type. Winbond QspiNAND memories use a 12-digit Product Number for ordering. However, due to limited space, the Top Side Marking on all packages uses an abbreviated 11-digit number.

**Part Numbers for Industrial Grade:**

| PACKAGE TYPE                                      | DENSITY | PRODUCT NUMBER               | TOP SIDE MARKING           |
|---|---------|------------------------------|----------------------------|
| <b>ZE</b><br>WSON-8 8x6mm                         | 4G-bit  | W25N04KVZEIR<br>W25N04KVZEIU | 25N04KVZEIR<br>25N04KVZEIU |
| <b>TB</b><br>TFBGA-24 8x6mm<br>(5x5-1 Ball Array) | 4G-bit  | W25N04KVTBIR<br>W25N04KVTBIU | 25N04KVTBIR<br>25N04KVTBIU |
| <b>TC</b><br>TFBGA-24 8x6mm<br>(6x4 Ball Array)   | 4G-bit  | W25N04KVTCIR<br>W25N04KVTCIU | 25N04KVTCIR<br>25N04KVTCIU |

**Part Numbers for Industrial Plus Grade:**

| PACKAGE TYPE                                      | DENSITY | PRODUCT NUMBER               | TOP SIDE MARKING           |
|---|---------|------------------------------|----------------------------|
| <b>ZE</b><br>WSON-8 8x6mm                         | 4G-bit  | W25N04KVZEJR<br>W25N04KVZEJU | 25N04KVZEJR<br>25N04KVZEJU |
| <b>TB</b><br>TFBGA-24 8x6mm<br>(5x5-1 Ball Array) | 4G-bit  | W25N04KVTCJR<br>W25N04KVTCJU | 25N04KVTCJR<br>25N04KVTCJU |
| <b>TC</b><br>TFBGA-24 8x6mm<br>(6x4 Ball Array)   | 4G-bit  | W25N04KVTCJR<br>W25N04KVTCJU | 25N04KVTCJR<br>25N04KVTCJU |





## 13. REVISION HISTORY

| VERSION | DATE       | PAGE  | DESCRIPTION  |
|---------|------------|---|--|
| A01     | 2019/07/15 | All   | New create preliminary information   |
| A02     | 2020/01/30 | 55  | Update parameter page information  |
| A03     | 2020/02/11 | 32<br>61  | Update Read ID information<br>Update Current information   |
| A04     | 2020/02/20 | All   | Update description. Change Continuous Read Mode to Sequential read mode.<br>Remove Chip erase operation<br>Update BFD default value from 0 to 1<br>Update AC/DC Characteristics information  |
| A05     | 2020/02/21 | 18<br>31  | Update ODS information   |
| A06     | 2020/03/02 | 18  | Update ODS information   |
| A07     | 2020/07/31 | 39  | Update Program Execute information   |
| A08     | 2020/08/26 | 65<br>68  | Update the description for bad block<br>Update the 5x5 ball BGA package information  |
| A09     | 2021/03/24 | 6<br>14<br>19<br>23<br>24<br>25<br>26<br>56<br>60<br>62<br>66<br>68 | Update Unique ID and parameter page information<br>Update Write Protection information<br>Update ECC constraint information<br>Update BFD information<br>Update BFS table information<br>Update Maximum bit flip count report information<br>Update Status Register Memory Protection table<br>Update Parameter page definitions<br>Update Power-up Power-down Timing Requirements<br>Update AC measurement condition information<br>Update initial invalid block information<br>Update WSON 8x6nm package information |
| A10     | 2021/06/25 | 9<br>21<br>65<br>All  | Update minimum protect data size information<br>Update P-FAIL and E-FAIL description<br>Update initial bad block information<br>Remove the SOIC 16-pin package   |
| A11     | 2021/08/24 | 25  | Update memory protection table information   |
| A12     | 2021/09/03 | 21  | Update P-FAIL and E-FAIL description   |
| B       | 2021/09/03 | All   | Remove "Preliminary"   |
| C       | 2022/02/07 | All<br>22<br>60   | Add Industrial Plus Grade information<br>Update 7.4.1 ECC related information<br>Update ICC1 spec information  |



## Trademarks

*Winbond* and *QspiNAND* are trademarks of *Winbond Electronics Corporation*. All other marks are the property of their respective owner.

## Important Notice

*Winbond* products are not designed, intended, authorized or warranted for use as components in systems or equipment intended for surgical implantation, atomic energy control instruments, airplane or spaceship instruments, transportation instruments, traffic signal instruments, combustion control instruments, or for other applications intended to support or sustain life. Furthermore, *Winbond* products are not intended for applications wherein failure of *Winbond* products could result or lead to a situation wherein personal injury, death or severe property or environmental damage could occur. *Winbond* customers using or selling these products for use in such applications do so at their own risk and agree to fully indemnify *Winbond* for any damages resulting from such improper use or sales.

**Information in this document is provided solely in connection with Winbond products. Winbond reserves the right to make changes, corrections, modifications or improvements to this document and the products and services described herein at any time, without notice.**

---

Please note that all data and specifications are subject to change without notice.  
All the trademarks of products and companies mentioned in this datasheet belong to their respective owners.