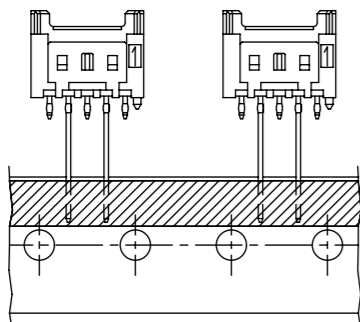


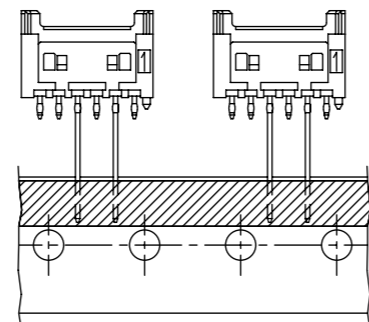
(2 極)  
(2 CKT.)

(3 極)  
(3 CKT.)

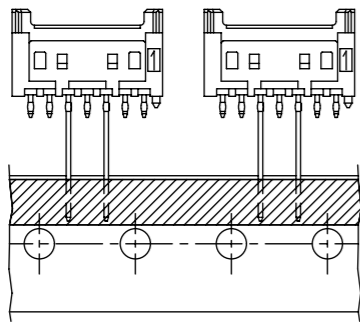
(4 極)  
(4 CKT.)



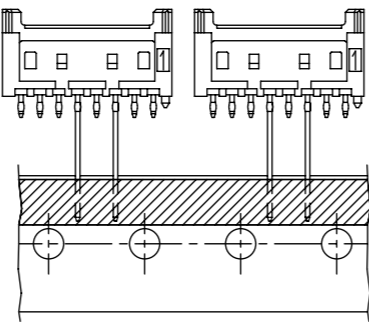
(5 極)  
(5 CKT.)



(6 極)  
(6 CKT.)

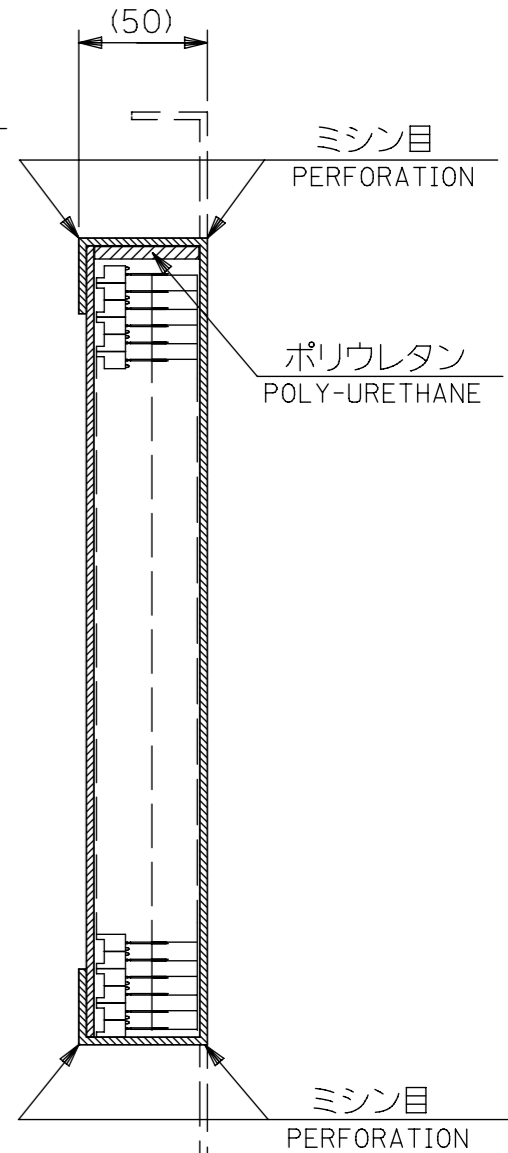
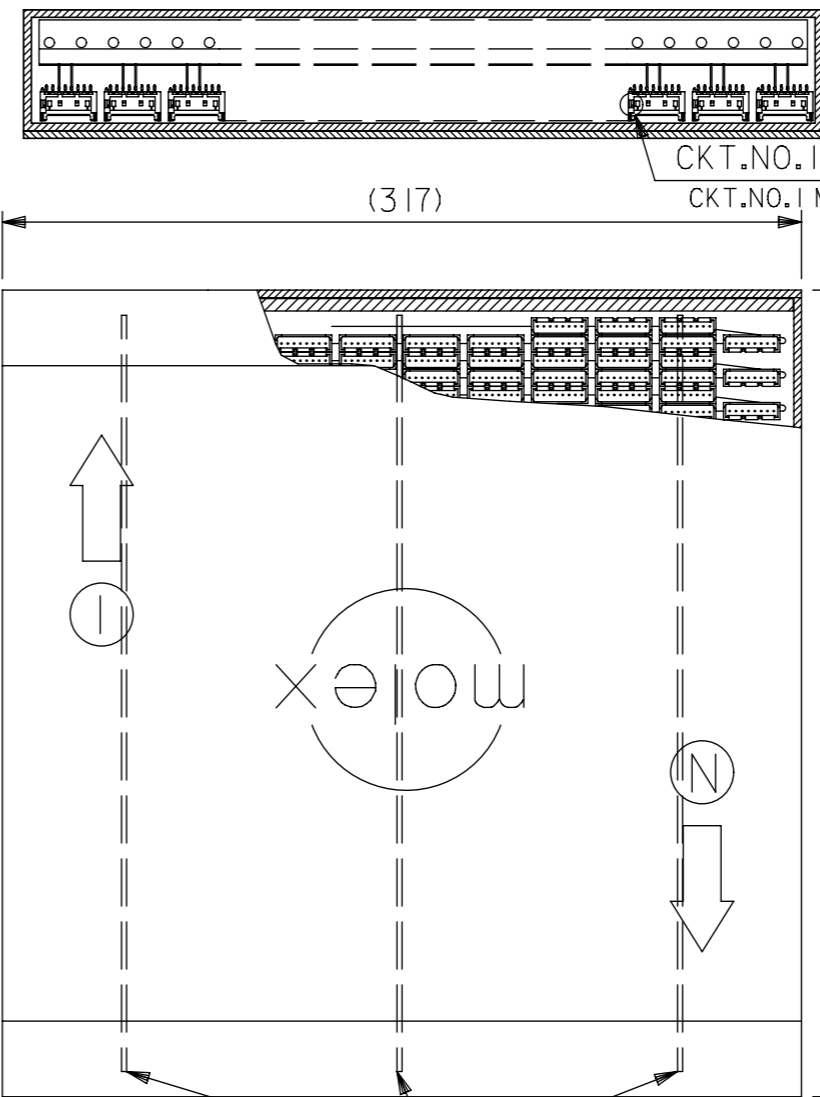
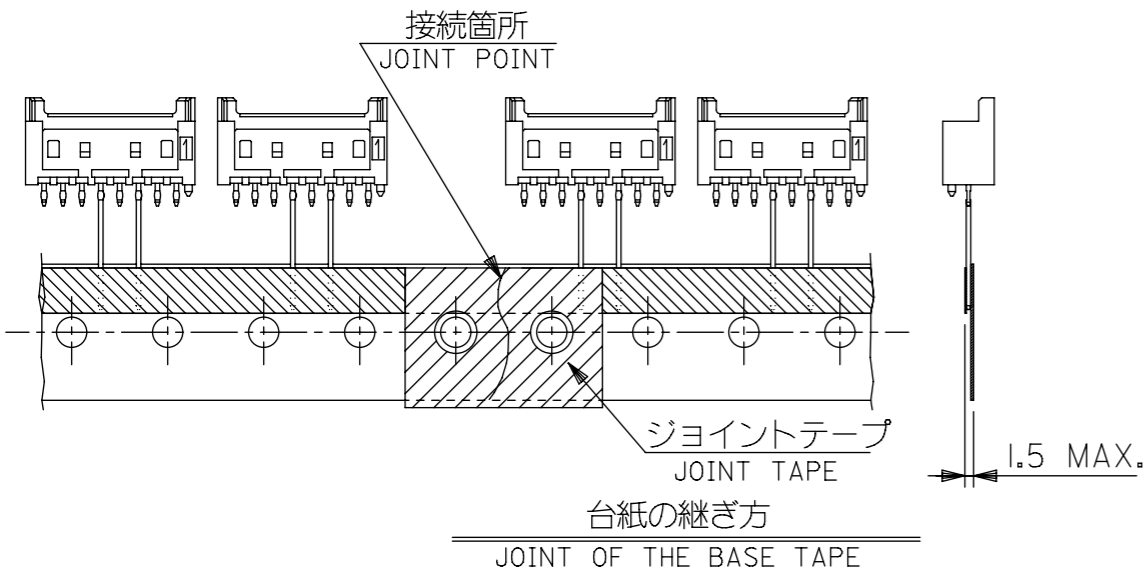


(7 極)  
(7 CKT.)



(8 極)  
(8 CKT.)

極数別テーピング状態図  
CKT. TAPING FORM



注記 NOTES

- 包装形態はつづら折りで箱詰め。  
RADIAL TAPE IS FOLDED AND PILED IN THE CARTON.
- テーピングの両端には、5個以上の送り穴を設けること。  
BOTH ENDS OF TAPING, MORE THAN 5 FEEDING HOLES SHOULD BE PROVIDED.
- コネクタの欠落数は、D 寸法 (SHEET 1 OF 2 参照) が 12.7 の場合連続 3 個まで、25.4 の場合 1 個とする。(折り目ごとの 1 個抜きも含む)  
ALLOWABLE NUMBERS OF CONSECUTIVE MISSING CONNECTORS:  
FOR CONNECTORS WHERE D=12.7,=3(REFER TO SHEET 1 OF 2)  
FOR CONNECTORS WHERE D=25.4,=1
- 台紙の継ぎ目のずれは、いかなる方向からも ±0.3mm 以内とする。  
MISMATCHED JOINT OF THE BASE TAPE SHOULD BE KEPT WITHIN ±0.3mm IN EVERY DIRECTIONS.
- 図中以外の項目は、日本工業規格 JIS C0805 "電子部品のテーピング" を適用。  
ITEMS UNLESS OTHERWISE SPECIFIED, JIS C 0805 (TAPING OF ELECTRONIC COMPONENTS) SHOULD BE APPLIED.

MODEL NO, 53375-\*\*9\*

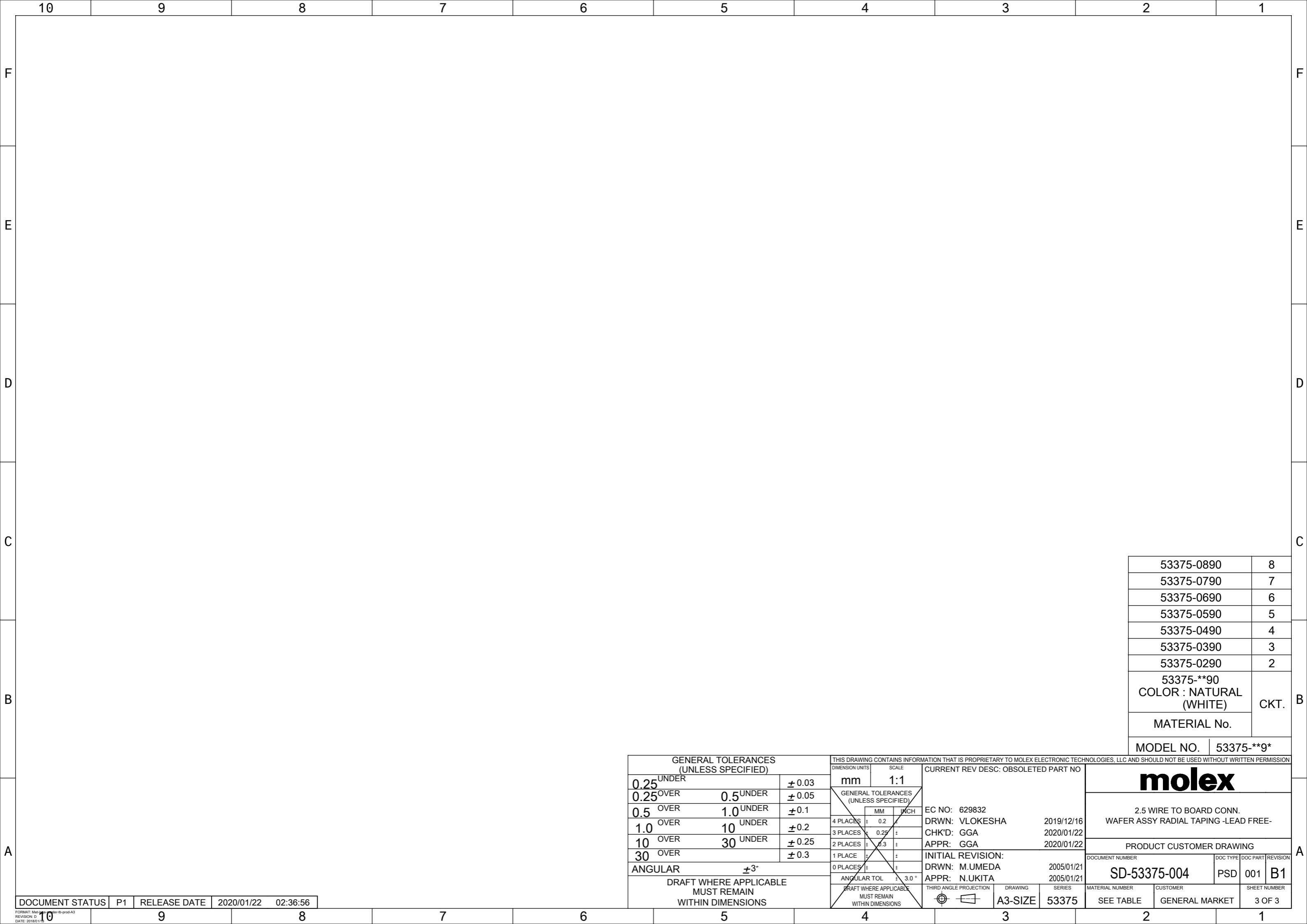
GENERAL TOLERANCES (UNLESS SPECIFIED)			THIS DRAWING CONTAINS INFORMATION THAT IS PROPRIETARY TO MOLEX ELECTRONIC TECHNOLOGIES, LLC AND SHOULD NOT BE USED WITHOUT WRITTEN PERMISSION	
DIMENSION UNITS			SCALE	
0.25 UNDER	±0.03	mm	1:1	
0.25 OVER	0.5 UNDER	GENERAL TOLERANCES (UNLESS SPECIFIED)		
0.5 OVER	1.0 UNDER	MM INCH		
1.0 OVER	10 UNDER	4 PLACES ± 0.2	EC NO: 629832	
30 OVER	30 UNDER	3 PLACES ± 0.25	DRWN: VLOKESHA 2019/12/16	
ANGULAR	±3°	2 PLACES ± 0.3	CHK'D: GGA 2020/01/22	
DRAFT WHERE APPLICABLE MUST REMAIN WITHIN DIMENSIONS			APPR: GGA 2020/01/22	
DRAFT WHERE APPLICABLE MUST REMAIN WITHIN DIMENSIONS			INITIAL REVISION:	
DRAFT WHERE APPLICABLE MUST REMAIN WITHIN DIMENSIONS			DRWN: M.UMEDA 2005/01/21	
DRAFT WHERE APPLICABLE MUST REMAIN WITHIN DIMENSIONS			APPR: N.UKITA 2005/01/21	
DRAFT WHERE APPLICABLE MUST REMAIN WITHIN DIMENSIONS			THIRD ANGLE PROJECTION	
DRAFT WHERE APPLICABLE MUST REMAIN WITHIN DIMENSIONS			DRAWING A3-SIZE	
DRAFT WHERE APPLICABLE MUST REMAIN WITHIN DIMENSIONS			SERIES 53375	
DRAFT WHERE APPLICABLE MUST REMAIN WITHIN DIMENSIONS			MATERIAL NUMBER SEE TABLE	
DRAFT WHERE APPLICABLE MUST REMAIN WITHIN DIMENSIONS			CUSTOMER GENERAL MARKET	
DRAFT WHERE APPLICABLE MUST REMAIN WITHIN DIMENSIONS			SHEET NUMBER 2 OF 3	

**molex**

2.5 WIRE TO BOARD CONN.  
WAFER ASSY RADIAL TAPING -LEAD FREE-

PRODUCT CUSTOMER DRAWING

DOCUMENT NUMBER SD-53375-004 DOC TYPE PSD DOC PART 001 REVISION B1

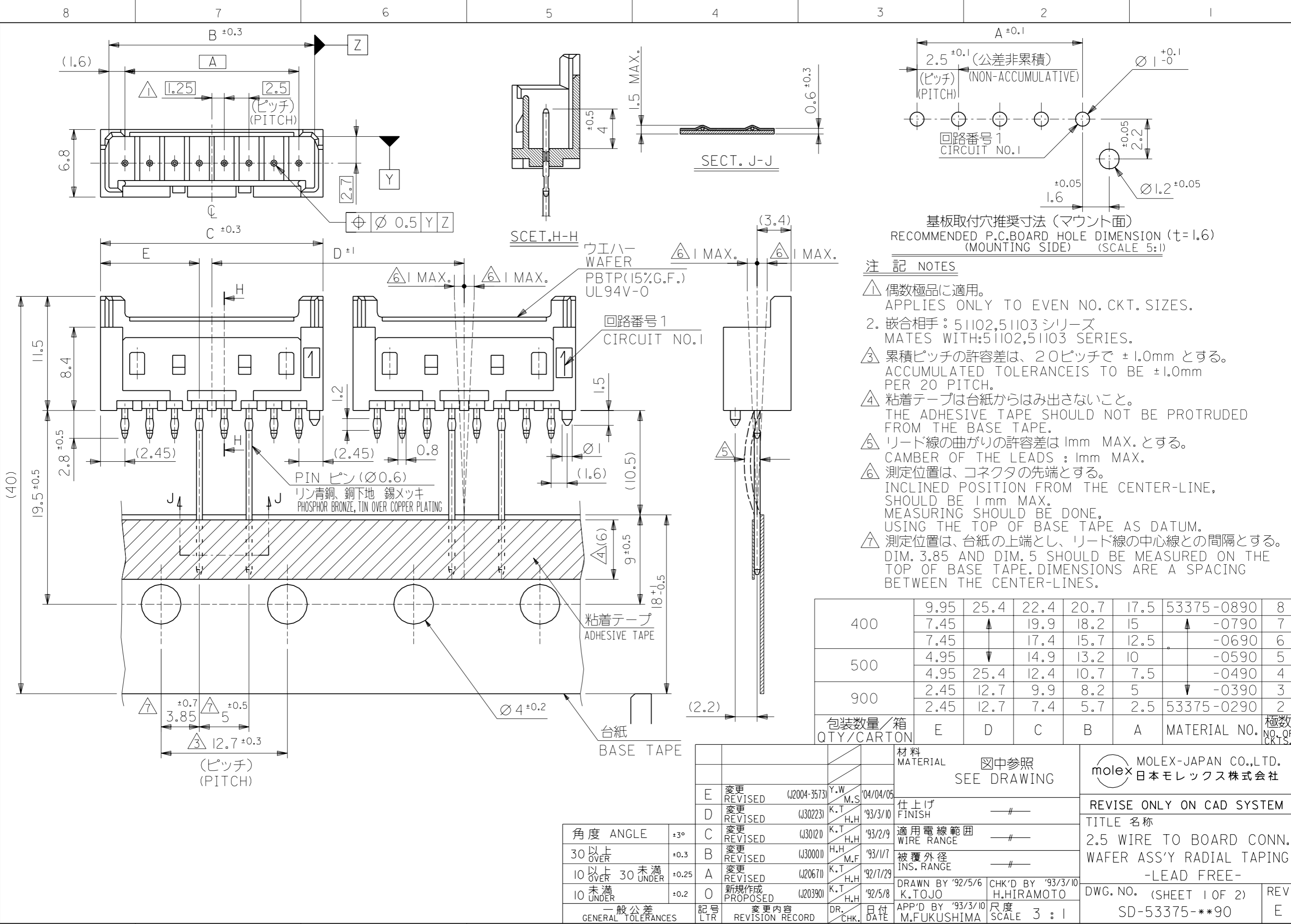


53375-0890	8
53375-0790	7
53375-0690	6
53375-0590	5
53375-0490	4
53375-0390	3
53375-0290	2
53375-**90 COLOR : NATURAL (WHITE)	CKT.
MATERIAL No.	
MODEL NO.	53375-**9*

GENERAL TOLERANCES (UNLESS SPECIFIED)			THIS DRAWING CONTAINS INFORMATION THAT IS PROPRIETARY TO MOLEX ELECTRONIC TECHNOLOGIES, LLC AND SHOULD NOT BE USED WITHOUT WRITTEN PERMISSION		CURRENT REV DESC: OBSOLETE PART NO		
0.25 UNDER	± 0.03	mm	SCALE		EC NO: 629832 DRWN: VLOKESHA 2019/12/16 CHK'D: GGA 2020/01/22 APPR: GGA 2020/01/22		
0.25 OVER	0.5 UNDER		1:1				
0.5 OVER	1.0 UNDER	GENERAL TOLERANCES (UNLESS SPECIFIED)		INITIAL REVISION: DRWN: M.UMEDA 2005/01/21 APPR: N.UKITA 2005/01/21			
1.0 OVER	10 UNDER	MM	INCH				
10 OVER	30 UNDER	4 PLACES ± 0.2	±	PRODUCT CUSTOMER DRAWING			
30 OVER	± 0.3	3 PLACES ± 0.25	±				
ANGULAR	± 3°	2 PLACES ± 0.3	±	DOCUMENT NUMBER SD-53375-004			
DRAFT WHERE APPLICABLE MUST REMAIN WITHIN DIMENSIONS			1 PLACE ±				DOC TYPE PSD
			0 PLACES ±	DOC PART 001			
			ANGULAR TOL ± 3.0°				REVISION B1
			DRAFT WHERE APPLICABLE MUST REMAIN WITHIN DIMENSIONS	SHEET NUMBER 3 OF 3			
			THIRD ANGLE PROJECTION				MATERIAL NUMBER SEE TABLE
			DRAWING A3-SIZE	CUSTOMER GENERAL MARKET			
			SERIES 53375				

DOCUMENT STATUS	P1	RELEASE DATE	2020/01/22	02:36:56
-----------------	----	--------------	------------	----------

DIMENSIONS IN METRIC DO NOT SCALE DRAWING



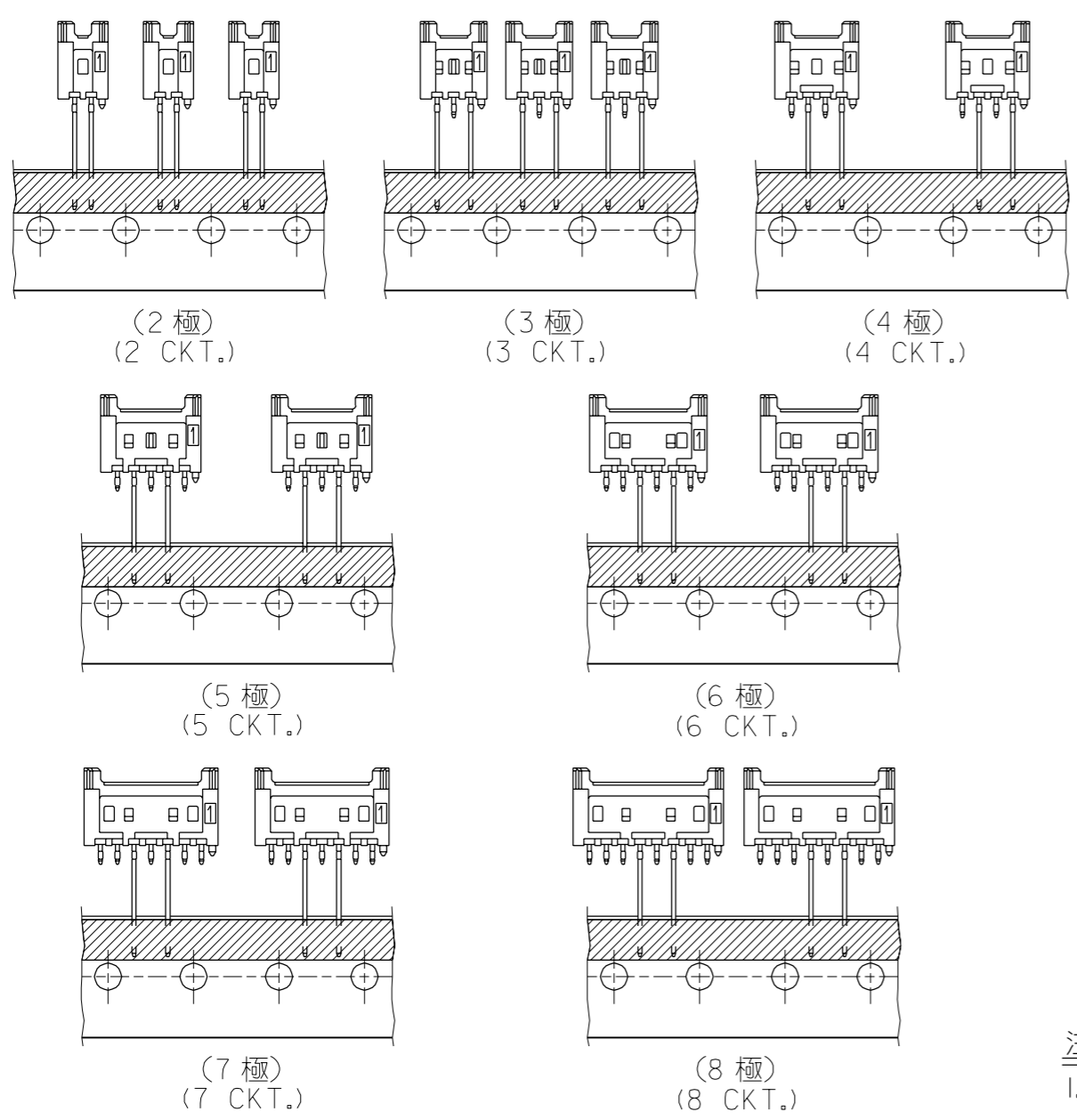
基板取付穴推奨寸法 (マウント面)  
RECOMMENDED P.C.BOARD HOLE DIMENSION (t=1.6)  
(MOUNTING SIDE) (SCALE 5:1)

- 注記 NOTES
- △1 偶数極品に適用。  
APPLIES ONLY TO EVEN NO. CKT. SIZES.
  - 2. 嵌合相手: 51102, 51103 シリーズ  
MATES WITH: 51102, 51103 SERIES.
  - △3 累積ピッチの許容差は、20ピッチで ±1.0mm とする。  
ACCUMULATED TOLERANCE IS TO BE ±1.0mm PER 20 PITCH.
  - △4 粘着テープは台紙からはみ出さないこと。  
THE ADHESIVE TAPE SHOULD NOT BE PROTRUDED FROM THE BASE TAPE.
  - △5 リード線の曲がりの許容差は 1mm MAX. とする。  
CAMBER OF THE LEADS: 1mm MAX.
  - △6 測定位置は、コネクタの先端とする。  
INCLINED POSITION FROM THE CENTER-LINE, SHOULD BE 1mm MAX. MEASURING SHOULD BE DONE, USING THE TOP OF BASE TAPE AS DATUM.
  - △7 測定位置は、台紙の上端とし、リード線の中心線との間隔とする。  
DIM. 3.85 AND DIM. 5 SHOULD BE MEASURED ON THE TOP OF BASE TAPE. DIMENSIONS ARE A SPACING BETWEEN THE CENTER-LINES.

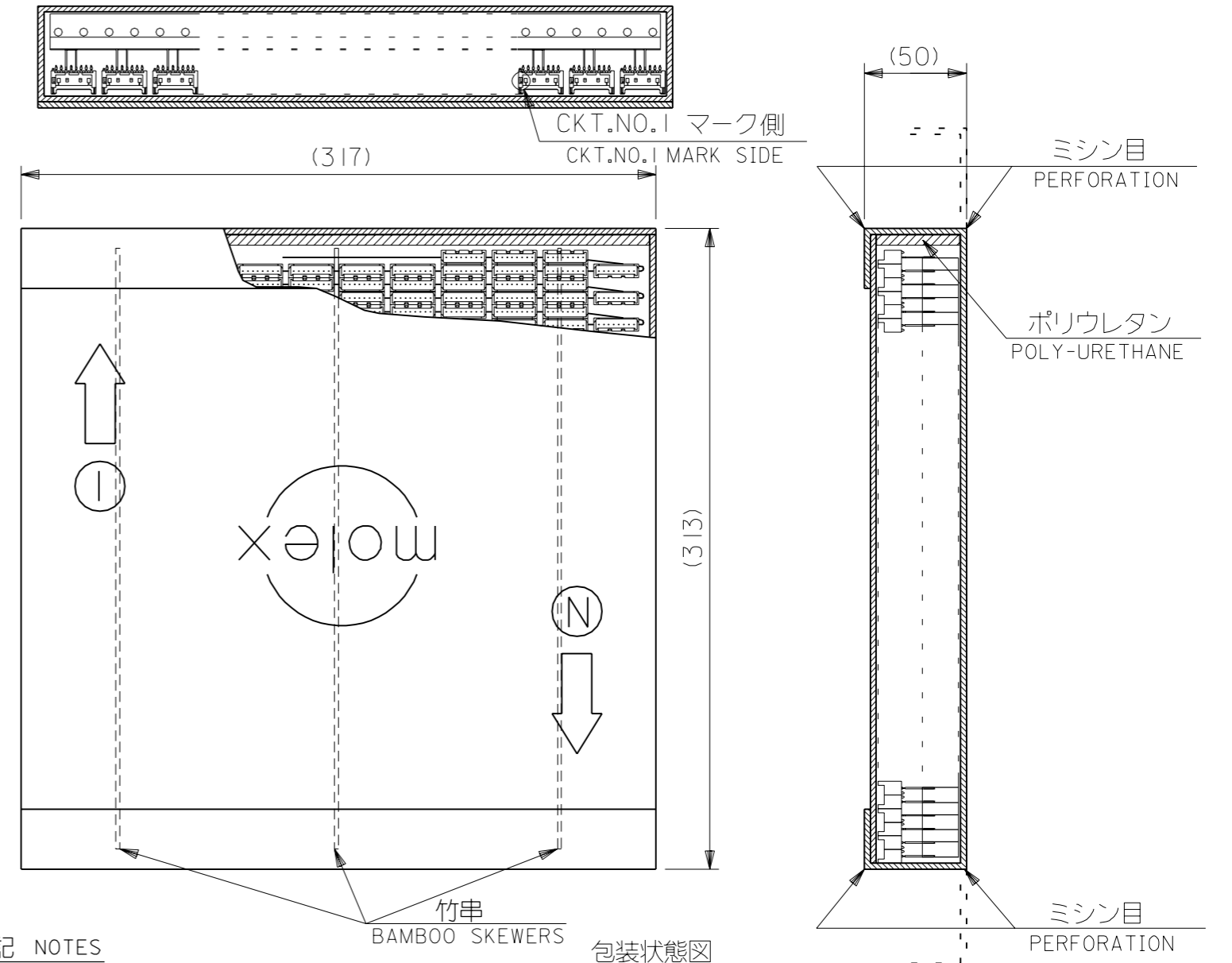
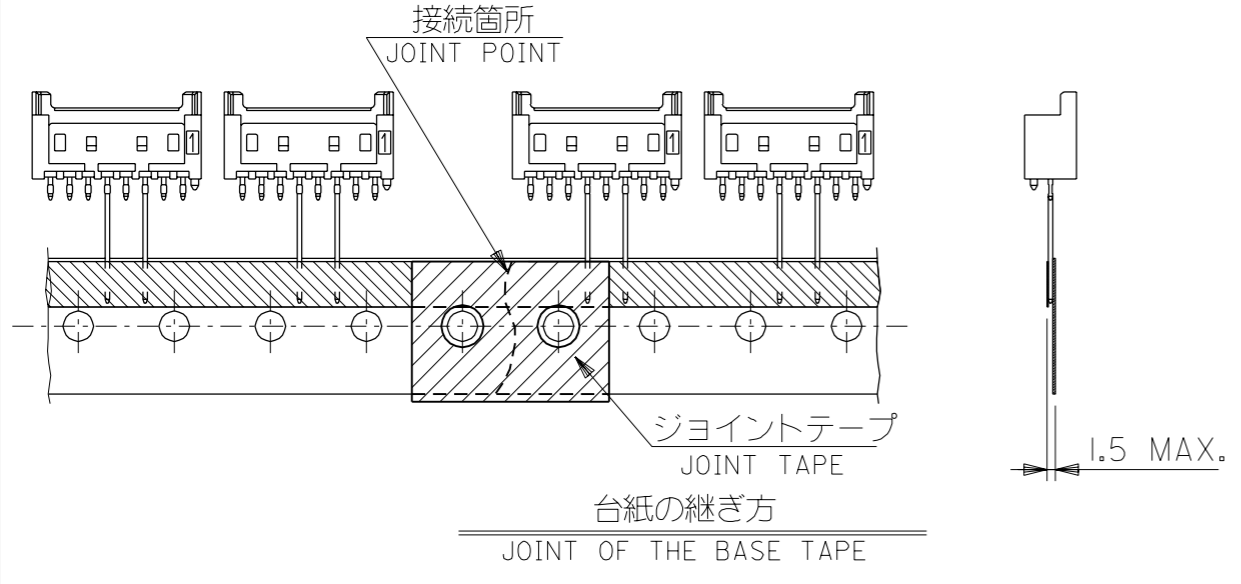
400	9.95	25.4	22.4	20.7	17.5	53375-0890	8
	7.45	↑	19.9	18.2	15	↑ -0790	7
500	7.45	↑	17.4	15.7	12.5	↑ -0690	6
	4.95	↓	14.9	13.2	10	↓ -0590	5
900	4.95	25.4	12.4	10.7	7.5	↓ -0490	4
	2.45	12.7	9.9	8.2	5	↓ -0390	3
包装数量/箱 QTY/CARTON	2.45	12.7	7.4	5.7	2.5	53375-0290	2
	E	D	C	B	A	MATERIAL NO.	極数 NO. OF CKTS.

材料 MATERIAL		中参照 SEE DRAWING		MOLEX-JAPAN CO., LTD. 日本モレックス株式会社		
E	変更 REVISED	(J2004-3573)	Y.W. M.S.	'04/04/05	仕上げ FINISH —#—	
D	変更 REVISED	(J30223)	K.T. H.H.	'93/3/10		
C	変更 REVISED	(J30121)	K.T. H.H.	'93/2/9	適用電線範囲 WIRE RANGE —#—	
B	変更 REVISED	(J30001)	H.H. M.F.	'93/1/7	被覆外径 INS. RANGE —#—	
A	変更 REVISED	(J20671)	K.T. H.H.	'92/7/29	DRAWN BY '92/5/6 K.TOJO	
O	新規作成 PROPOSED	(J20390)	K.T. H.H.	'92/5/8	CHK'D BY '93/3/10 H.HIRAMOTO	
一般公差 GENERAL TOLERANCES		記号 LTR	変更内容 REVISION RECORD	DR. CHK.	日付 DATE	APP'D BY '93/3/10 M.FUKUSHIMA
角度 ANGLE	±3°					尺度 SCALE 3:1
30 以上 OVER	±0.3					
10 以上 30 未満 OVER UNDER	±0.25					
10 未満 UNDER	±0.2					

REVISE ONLY ON CAD SYSTEM  
TITLE 名称  
2.5 WIRE TO BOARD CONN.  
WAFER ASS'Y RADIAL TAPING  
-LEAD FREE-  
DWG. NO. (SHEET 1 OF 2)  
SD-53375-\*\*-90  
REV  
E



極数別テーピング状態図  
CKT. TAPING FORM



注記 NOTES

- 包装形態はつづら折りで箱詰め。  
RADIAL TAPE IS FOLDED AND PILED IN THE CARTON.
- テーピングの両端には、5個以上の送り穴を設けること。  
BOTH ENDS OF TAPING, MORE THAN 5 FEEDING HOLES SHOULD BE PROVIDED.
- コネクタの欠落数は、D寸法 (SHEET 1 OF 2 参照) が12.7の場合連続3個まで、25.4の場合1個とする。(折り目ごとの1個抜きも含む)  
ALLOWABLE NUMBERS OF CONSECUTIVE MISSING CONNECTORS:  
FOR CONNECTORS WHERE D=12.7,=3(REFER TO SHEET 1 OF 2)  
FOR CONNECTORS WHERE D=25.4,=1
- 台紙の継ぎ目のずれは、いかなる方向からとも ±0.3以内とする。  
MISMATCHED JOINT OF THE BASE TAPE SHOULD BE KEPT WITHIN ±0.3mm IN EVERY DIRECTIONS.
- 図中指示以外の項目は、日本工業規格 JIS C0805 "電子部品のテーピング" を適用。  
ITEMS UNLESS OTHERWISE SPECIFIED, JIS C 0805 (TAPING OF ELECTRONIC COMPONENTS) SHOULD BE APPLIED.

角度 ANGLE		±3°	材料 MATERIAL		SHEET 1 OF 2 参照 REFER TO SHEET 1 OF 2	
30 以上 OVER		±0.3	仕上げ FINISH		—#—	
10 以上 30 未満 OVER UNDER		±0.25	適用電線範囲 WIRE RANGE		—#—	
10 未満 UNDER		±0.2	被覆外径 INS. RANGE		—#—	
一般公差 GENERAL TOLERANCES			DRAWN BY '92/5/6 K.TOJO		CHK'D BY '93/3/10 H.HIRAMOTO	
記号 LTR	変更内容 REVISION RECORD	DR. CHK.	日付 DATE	APP'D BY '93/3/10 M.FUKUSHIMA	尺度 SCALE	—#—

MOLEX-JAPAN CO.,LTD.  
日本モレックス株式会社

REVISE ONLY ON CAD SYSTEM

TITLE 名称  
2.5 WIRE TO BOARD CONN.  
WAFER ASS'Y RADIAL TAPING  
-LEAD FREE-

DWG. NO. (SHEET 2 OF 2) REV  
SD-53375-\*\*-90 E

DIMENSIONS IN METRIC DO NOT SCALE DRAWING

53375.S23