

4


3

2

1

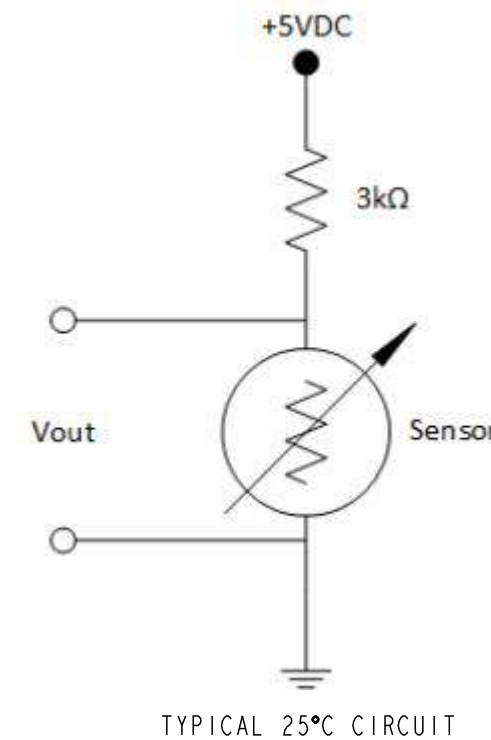
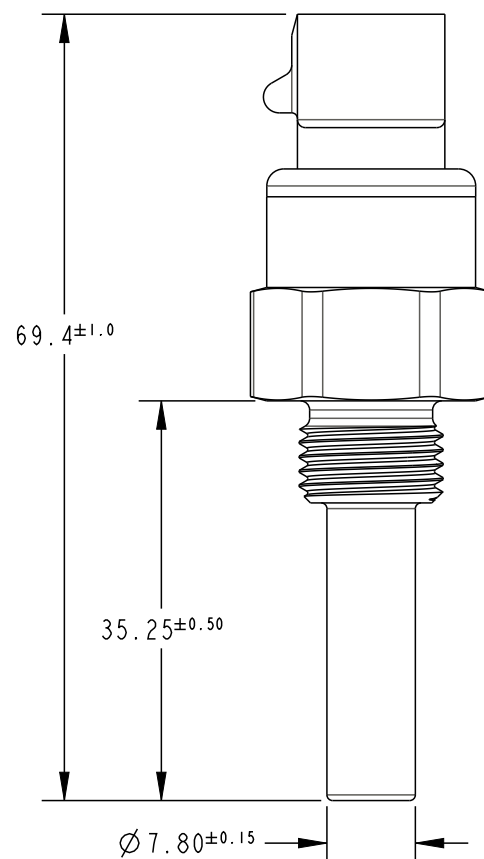
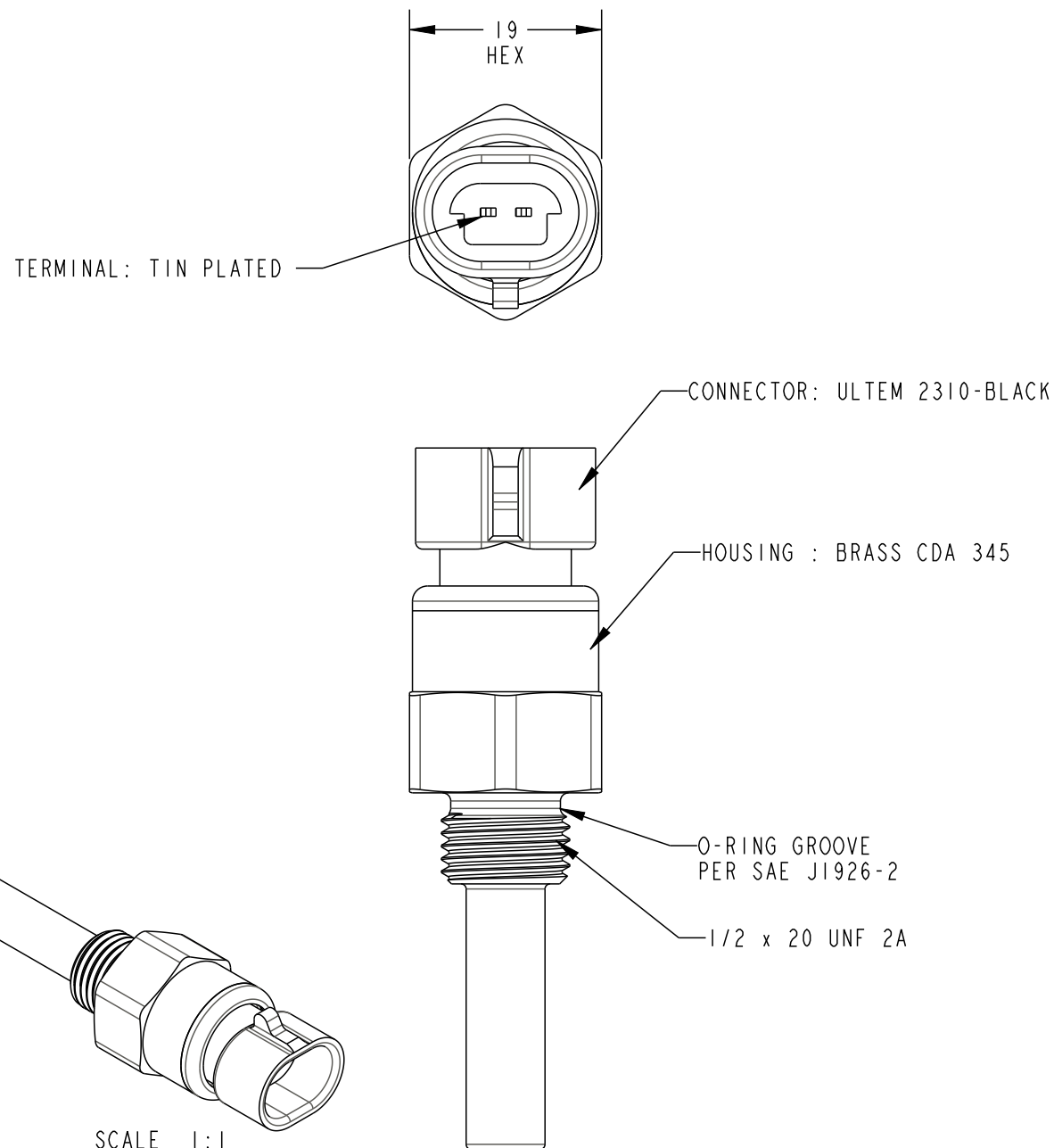
PROPRIETARY NOTICE: THE INFORMATION CONTAINED IN THIS DOCUMENT IS PROPRIETARY TO AMPHENOL AND SHALL NOT BE DISCLOSED IN WHOLE OR IN PART IN ANY FORM OR FOR ANY REASON EXCEPT AS EXPRESSLY STATED IN WRITING BY AMPHENOL.

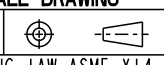
NOTES:

1. CONTINUOUS OPERATING TEMPERATURE: -40° TO 125°C
2. CONNECTOR: METRI-PACK 150.2 or GT150 3.5mm  MATING APTIV(DELPHI) PART NUMBER: 12162193,15336004, OR EQUIVILANT
3. VOLTAGE: 5V

TEMP (°C)	RESISTANCE (OHMS)	RES TOL (+%)	RES TOL (-%)
-40°C	101770	5.74	9.27
25°C	2820	5.15	4.86
50°C	988.1	NOM	
100°C	179.6	2.82	2.51
125°C	88.11	2.96	3.46

REVISIONS				
REV	REVISION HISTORY	DATE	DWN	APVD
A	INITIAL DRAFT	9/14/18	MED	JD
B	19.0 WAS 19.05, UPDATED TOL'S & RES-TABLE, REVISED NOTES, ADDED O-RING, TERMINAL & CIRCUIT NOTES	1/29/19	MED	STS
C	UP-DATED NOTES & RES TBL, 69.4+/-1 WAS 69.35+/-1.0, 35.3+/-0.5 WAS 35.25+/-0.50, ULTEM 2300-BLACK WAS ULTEM 2300	06/4/19	MED	STS



Amphenol		St. Marys, PA 15857	
Advanced Sensors			
TITLE: FLUID TEMPERATURE SENSOR			
UNLESS OTHERWISE SPECIFIED DIMENSIONS ARE IN MM TOLERANCES ARE:		APPROVALS	DATE
.X ± 0.5	ANGLES ± 2°	DRAWN MED	09/14/18
.XX ± 0.25		CHECKED JD	09/14/18
DO NOT SCALE DRAWING		ENGR MED	09/14/18
THIRD ANGLE PROJECTION		OC	
INTERPRET DRAWING IAW ASME Y14.5		MFG	
MATERIAL SEE DRAWING			
SIZE B	DWG NO. GE-1337		REV C
SCALE 3:2			SHEET 1 OF 1

LEGAL NOTICE - THIS DRAWING AND ANY INTELLECTUAL PROPERTY RIGHTS THERE IN ARE PROPERTY OF AMPHENOL AND NO LICENSES ARE GRANTED UNDER THOSE RIGHTS.

4

3

2

1