

1

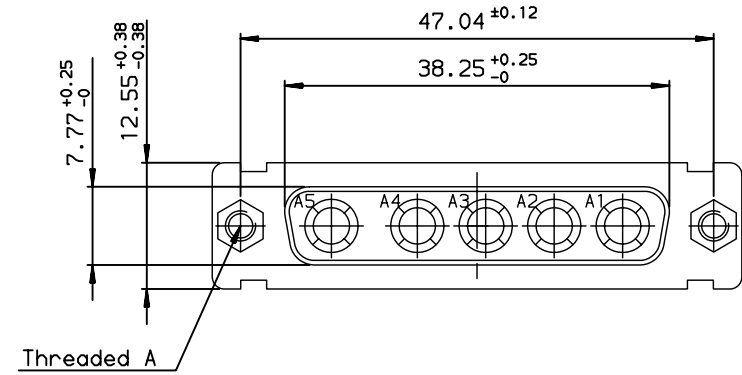
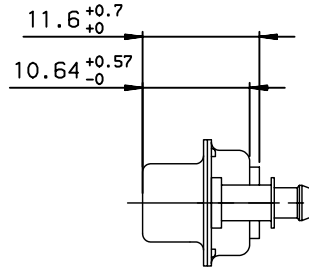
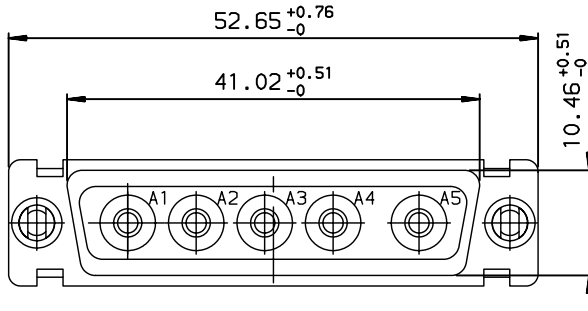
2

3

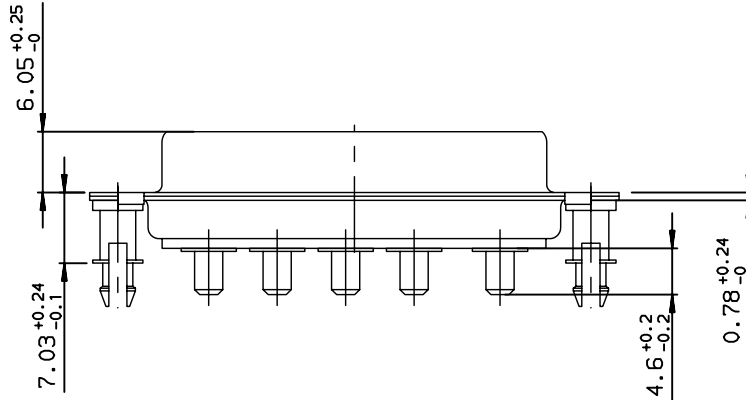
4

GENERAL CHARACTERISTICS : SEE DRAWING C01-8639-0001

A

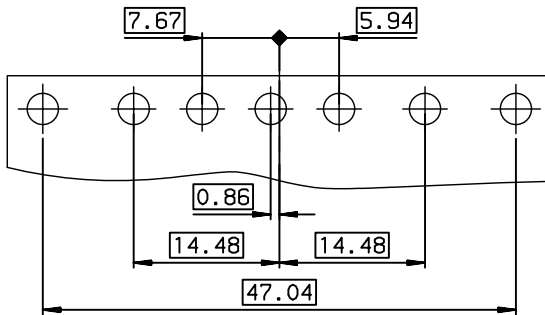


B



C

LAYOUT DIMENSIONS (after plating)  
CONNECTOR SIDE VIEW



DB05W5S300H40	UNC 4.40
DBL5W5S300H40	M3
PART NUMBER	Threaded A

European Views

www.fciconnect.com		surface ISO 1302 ✓	tolerance std ISO 406 ISO 1101	projection mm
TOLERANCES UNLESS OTHERWISE SPECIFIED				
Dr	JARRY	2003/01/10	ANGULAR	LINEAR
Eng	JARRY	2003/01/10	0.X	±0.1
Chr	LEGARE	2003/01/10	0.XX	±0.1
Appr	LEGARE	2003/01/10	0.XXX	±0.1
Product family			SUB	Spec ref -
title <b>SOCKET CONNECTOR 5W5</b>		dwg no <b>C01-8639-1894</b>		Rev. <b>C</b>
WITH POWERS CONTACTS		CUSTOMER		sheet 1 of 1
catalog no				

rev	ecn no	dr	date
B	-	CJA	2003/01/10
C	LS07-0302	MPE	2007/11/29
-	-	-	-
-	-	-	-
-	-	-	-
-	-	-	-

Copyright FCI. FCI

REV F - 2006-04-17

1

2

3

4