

NOTES:

- INFORMATION CONTAINED ON THIS DRAWING IS INTENDED TO PROVIDE AMPHENOL'S CUSTOMERS SPECIFICATIONS CRITICAL TO THE INSTALLATION AND USE OF THE ASSOCIATED PRODUCT. AMPHENOL RETAINS THE RIGHT TO REVISE THIS DOCUMENT WITHOUT NOTICE PROVIDING THAT THE CHANGE WILL NOT AFFECT FORM, FIT OR FUNCTION INTERCHANGEABILITY WITH PREVIOUSLY SUPPLIED PRODUCT. IN THE EVENT OF ANY CHANGE AFFECTING SAID INTERCHANGEABILITY CUSTOMERS WILL BE NOTIFIED PRIOR TO IMPLEMENTATION.  
 CONNECTORS, LOCKWASHER, AND NUT ARE BAGGED SEPARATELY (BULKPACKED 300).

3. MATERIALS & FINISHES:

- BODY - ZINC, TIN PLATED.
- CONTACT - BERYLLIUM COPPER, TIN PLATED.
- INSULATOR - TPX (METHYLPENTENE COPOLYMER)

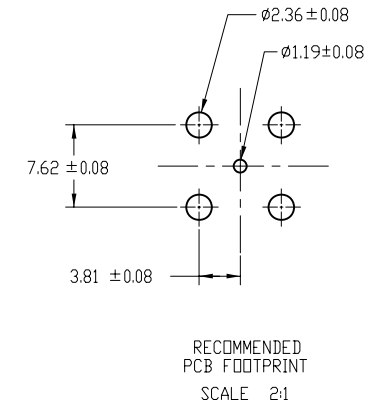
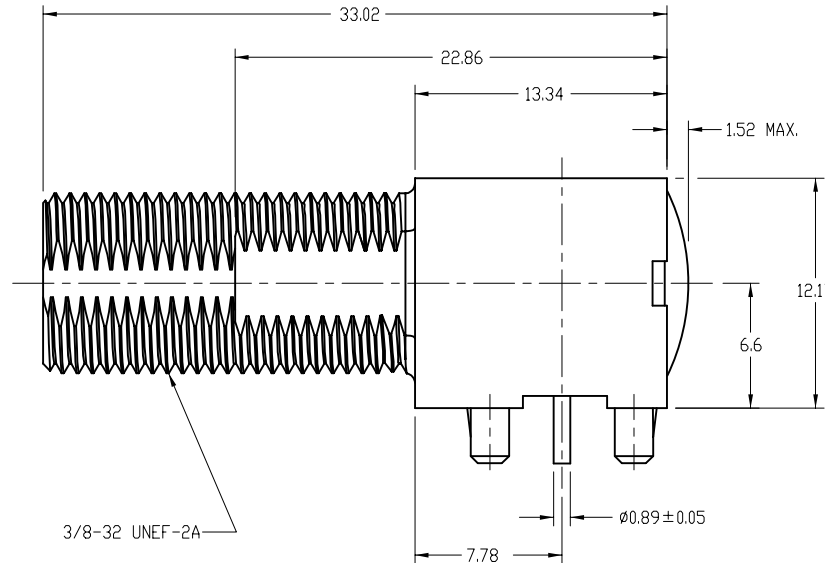
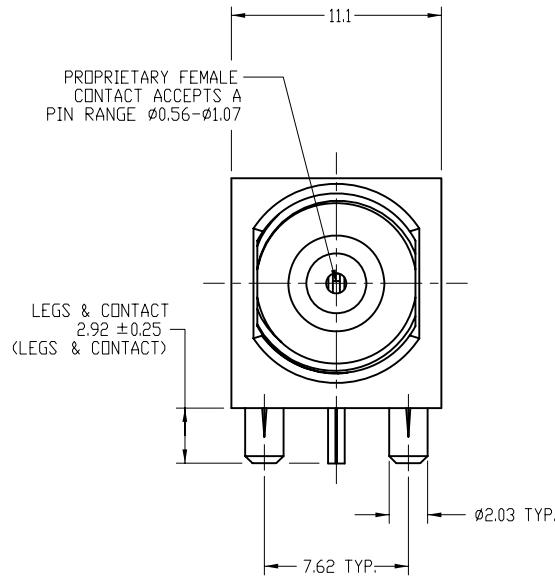
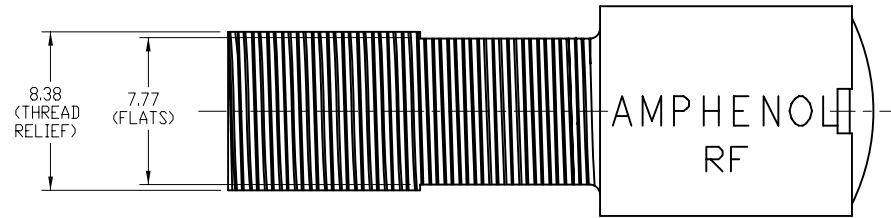
4. ELECTRICAL:

- A. FREQUENCY RANGE = DC TO 3.0 GHz
- B. RETURN LOSS = -30 dB MAX. (DC TO 1.0 GHz)  
 -20 dB MAX. (1.0 TO 2.0 GHz)  
 -10 dB MAX. (2.0 TO 3.0 GHz)

THIRD ANGLE PROJ.

REVISIONS

REV	DESCRIPTION	DATE	ECD	APPR
A	RELEASE TO MFG.	19-May-99	42958	CPM
B	A) CONTACT WAS: PHOSPHOR BRONZE B) INSULATOR WAS: POLYPROPYLENE	13-Oct-06	44395	BRUCE
C	SEE SHEET 1.	29-Jan-07		CISSY
D	2.92±0.25 WAS 2.92±0.02\RD-DM07080901K	13-08-07'		AW
E	SEE SHEET 1\RD-DM09091601K	18-Sep-09	47802	SH



CUSTOMER OUTLINE DRAWING  
 ALL OTHER SHEETS ARE FOR INTERNAL USE ONLY

UNLESS OTHERWISE SPECIFIED, DIMENSIONS ARE IN METRIC AND TOLERANCES ARE:  
 0.5 - 6mm ±0.1mm    6 - 30mm ±0.2mm    30 - 120mm ±0.3mm    ANGLES ±1°

NOTICE - These drawings, specifications, or other data (1) are, and remain the property of Amphenol Corp. (2) must be returned upon request; and (3) are confidential and not to be disclosed to any person other than those to whom they are given by Amphenol Corp. The furnishing of these drawings, specifications, or other data by Amphenol Corp., or to any other person to anyone for any purpose is not to be regarded by implication or otherwise in any manner licensing, granting rights or permitting such holder or any other person to manufacture, use or sell any product, process or design, patented or otherwise, that may in any way be related to or disclosed by said drawings, specifications, or other data.

MATERIAL	DATE	TITLE		Amphenol RF	
	K.LI	17-Sep-09	F (FEMALE) PCB RT. ANGLE W/O HARDWARE		Danbury CT USA, Tainan Taiwan, Shenzhen China www.amphenolrf.com
REFERENCE	ENGINEER	DATE	DRAWING NO. 531-40047-4		ITEM NO. 531-40047-4
	A.WU	29-Jan-07	PART NO. 531-40047-4		
FINISH	APPROVED	DATE	SCALE: 4/1	SHEET 2 OF 2	
	S.HSIEH	17-Sep-09	DWG SIZE	CODE ID	REV
	CAD FILE	F:\DWG\CNPD\531\40047\4-ESZ	B	74868	E